

ASSEMBLY and INSTALLATION INSTRUCTIONS



Complete Air Distribution Kit Kit Part No. 500-24488

View these instructions online at www.lbwhite.com

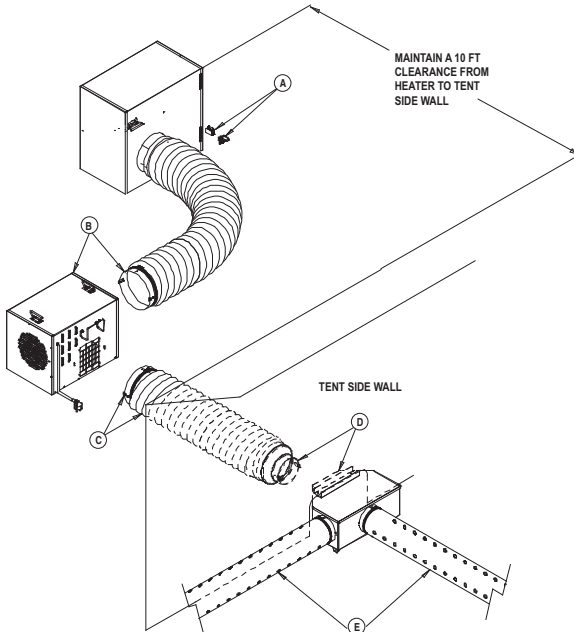
Kit Contents:

Description	Quantity	Part
Instructions	1	500-24488
A. Electrical Kit	1	500-24492
B. Air Booster Box Kit	1	500-23869
C. Duct Kit, 12 in. x 3 ft.	1	500-23870
D. Air Distribution Box Kit	1	500-23868
E. Duct Kit, 8 in. x 30ft.	2	500-23871

Discussion:

The complete air distribution kit includes all materials necessary to expand the tent heating and air distribution capabilities of the Premier 170 tent heater. Included within the complete kit are five separate kits. Assemble and install the kits in the order given in the above contents table. Each kit has its own set of instructions and a parts list.

See below for a schematic showing general layout of the kits after assembly. Keep all instructions for future use.



WORLD PROVIDER - INNOVATIVE HEATING SOLUTIONS

411 Mason Street, Onalaska, WI 54650 • 800-345-7200 • 608-783-5691 • 608-783-6115 (fax) • www.lbwhite.com

Service

Contact your local L.B. White dealer for replacement parts and service. You may also call the L.B. White Company, LLC at U.S. & Canada: 1-800-345-7200, Overseas: 001-608-783-5691 assistance, or email us at customerservice@lbwhite.com.

Be sure that you have your heater model number and configuration number when calling.



**WORLD PROVIDER - INNOVATIVE
HEATING SOLUTIONS**

411 Mason Street, Onalaska, WI 54650

800-345-7200 • 608-783-5691

608-783-6115 (fax)

www.lbwhite.com