

# ASSEMBLY and INSTALLATION INSTRUCTIONS



## TUNNEL DOORS FAN COVERS WINDOW COVERS

View these instructions online at [www.lbwhite.com](http://www.lbwhite.com)



### GENERAL INFORMATION

In order to assure proper performance and smooth functioning of the system the installer must understand the importance of quality construction and use of straight quality materials. Attention to details relating to sealing or prevention of air leaks is a must. This manual will provide a comprehensive planning, installation, safety, operation, and parts listing information. Using this equipment for any other purpose or in a way not within the operating recommendations specified in this manual will void the warranty and may cause personal injury.

Items provided by L.B. White Company include but not limited to: door panels with hinges, door rope connections, gaskets, tec screws, installation manual. Items Not Provided included but not limited to: winch, pulley clips, pulley, eye hooks, lag screws, regular nuts and bolts, hand winch, nails, "U" bolts, lumber, cable, cable clamps, 1/8" dia. rope, sealing caulk, and springs.

## TABLE OF CONTENTS

General Information.....	1
Framing .....	2
Gasket Installation.....	3
Door & Handle Assembly .....	4
Door Installation .....	5

## WARRANTY

L.B. White Company, LLC warrants that its manufactured products are free from defects in material and workmanship, when properly installed, operated, and maintained in accordance with the Installation and Maintenance Instructions, safety guides and labels contained with each unit. If, within 12 months from the date of purchase by the end user, any component is found to be defective, L.B. White Company, LLC will at its option, repair or replace the defective part, with a new part, F.O.B., Onalaska, Wisconsin or Franklin, Georgia. A copy of the bill of sale will be required to establish warranty qualification. If not available, the warranty period will be 12 months from date of shipment from L.B. White.

The warranty set forth above is the exclusive warranty provided by L.B. White, and all other warranties, including any implied warranties or merchantability or fitness for a particular purpose, are expressly disclaimed. In the event any implied warranty is not hereby effectively disclaimed due to operation of law, such implied warranty is limited in duration to the duration of the applicable warranty stated above. The remedies set forth above are the sole and exclusive remedies available hereunder. L.B. White will not be liable for any incidental or consequential damages directly or indirectly related to the sale, handling or use of the equipment, and in any event L.B. White's liability in connection with the equipment, including for claims based on negligence or strict liability, is limited to the purchase price.

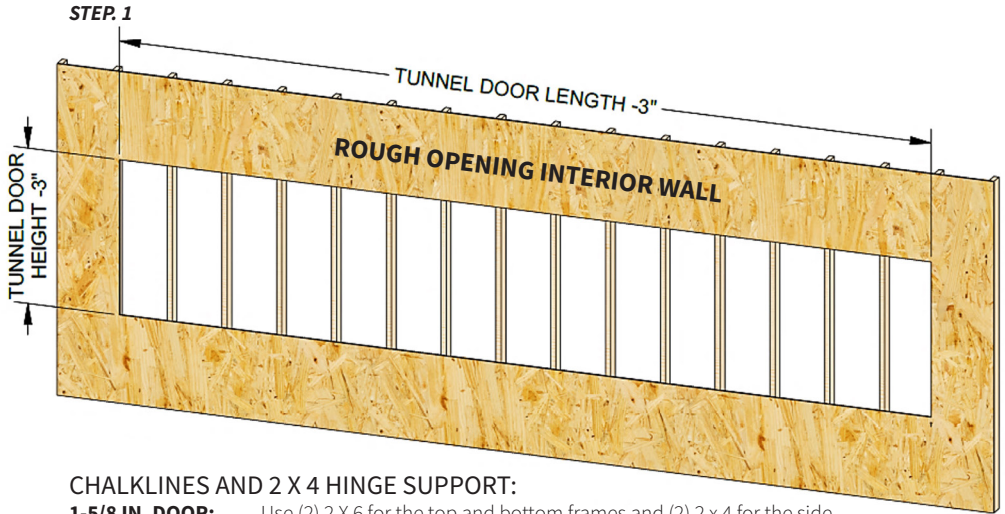
Some states do not allow limitations on how long an implied warranty lasts, so the above limitation may not apply to you. Some states do not allow the exclusion or limitation of incidental or consequential damages, so the above limitation or exclusion may not apply to you. This warranty gives you specific legal rights, and you may also have other rights which vary from state to state.



Cancer and reproductive harm. See  
[www.P65Warnings.ca.gov](http://www.P65Warnings.ca.gov).

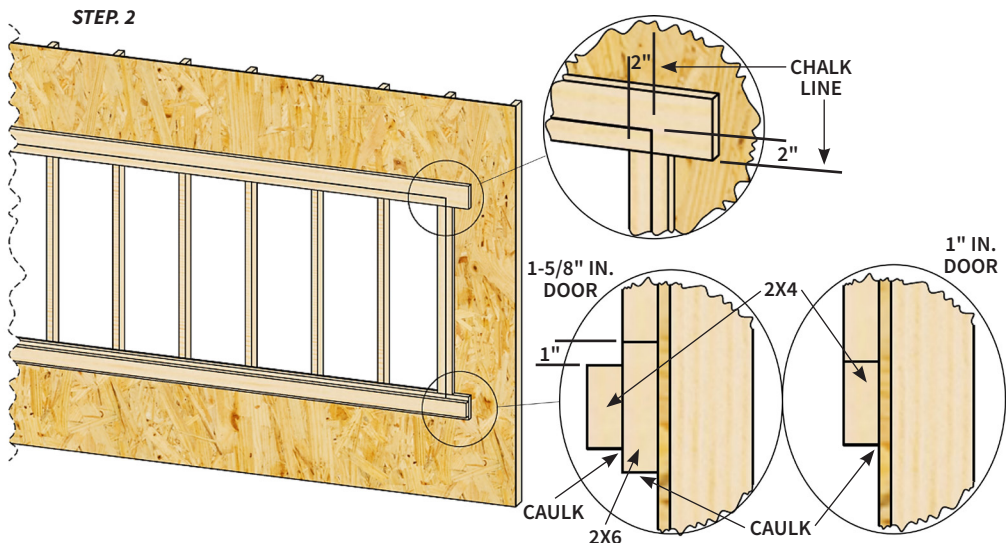
**FRAMING:**

The tunnel door opening (framing) should be flat and straight in the vertical and horizontal planes. The length and height of the rough opening should be 3" less than the tunnel door dimensions. Use of tight string or chalk line is recommended. The framed opening should be level to a tolerance of  $\pm 1/4"$  from end to end. The use of an optical level will be necessary. Any minor out of level with the first door section will rapidly become a major problem as following door panels are installed.

**CHALKLINES AND 2 X 4 HINGE SUPPORT:**

**1-5/8 IN. DOOR:** Use (2) 2 X 6 for the top and bottom frames and (2) 2 x 4 for the side frames. See Step 2 for details. Mount another 2 x 4 to support the hinges.

**1 IN. DOOR:** (4) 2 X 4 board all the way around the rough opening.



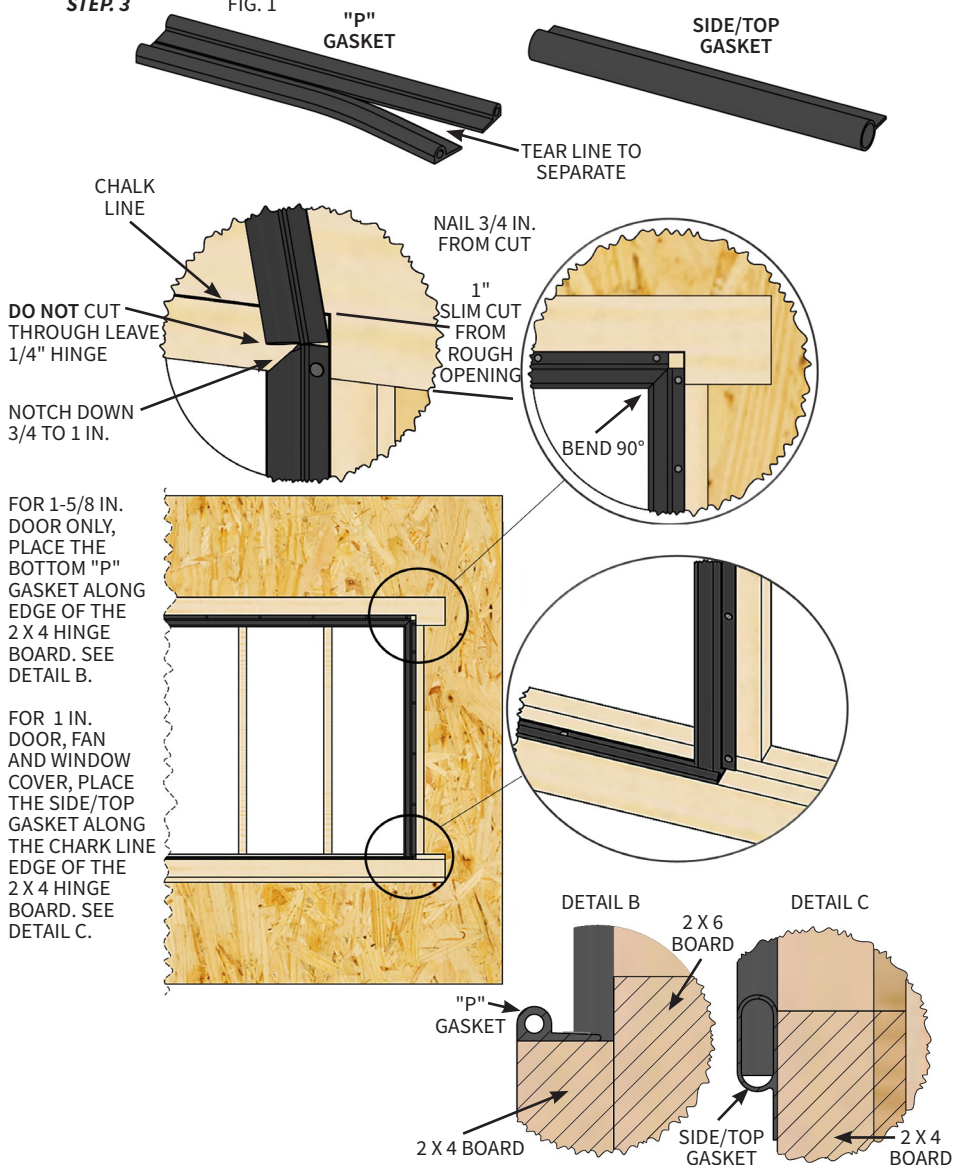
## GASKET INSTALLATION:

Before installing the gaskets, the gaskets should be rolled out and stretched to remove crimps, twists or other deformations and possible damage. After inspecting and deformations have been dealt with, the "P" gasket needs to be separated. As shown in Fig. 1.

Using the chalkline, attach the gasket along the sides, top, and bottom of the framed opening. NOTE: 1 5/8 in. door will use a "P" gasket at the bottom frame. See DETAIL B. Start attaching the gasket at a bottom corner and work your way around the framed opening. See below Figures for details. Align gasket with previously created chalk line.

### STEP. 3

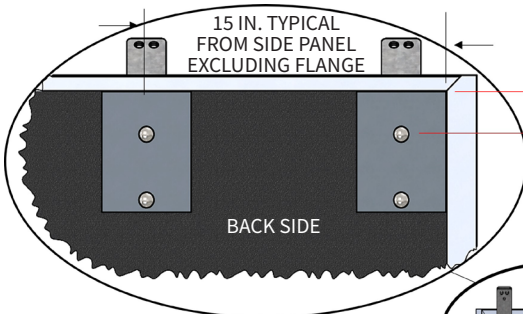
FIG. 1



**DOOR & HANDLE ASSEMBLY:**

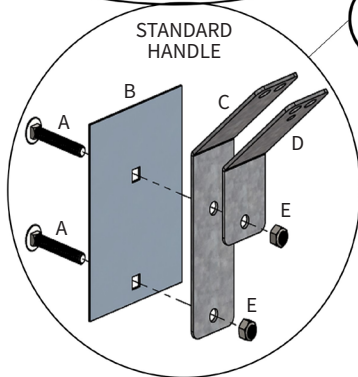
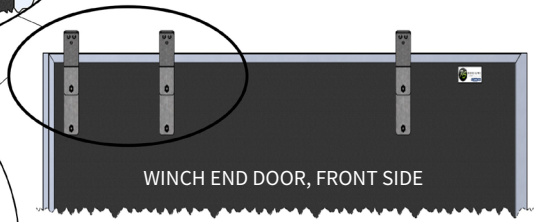
Regardless of the type of door handle being used, each door panel must have a minimum of 2 rope handle attachments with the exception of the end doors. They are require to have 3 rope handle attachments. See the Standard handle installation illustration below for details.

**STEP. 4**



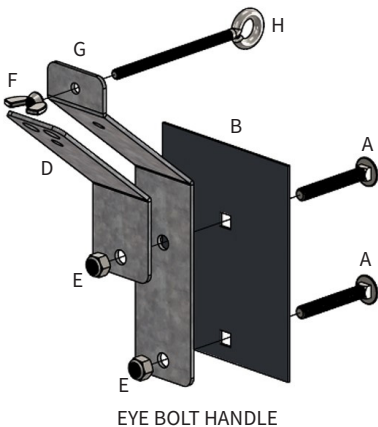
USE THE REINFORCEMENT PLATE AS TEMPLATE TO PREDRILL 3/8 IN. DIA. HOLES THROUGH DOOR.

**CAUTION:** DO NOT COMPRESS DOOR WHEN TIGHTENING THE LOCK NUTS

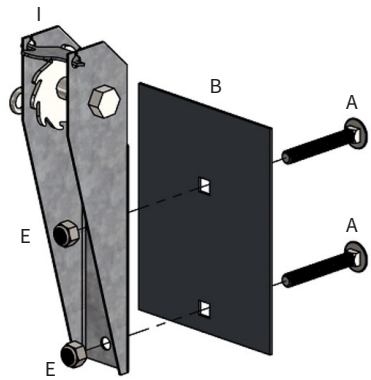


- A = CARRIAGE BOLTS  
1-5/8" DOOR, 5/16-18 X 2 1/4 IN.  
1" DOOR, 5/16-18 X 1 3/4 IN.
- B = REINFORCEMENT PLATE
- C = STANDARD LONG HANDLE BRACKET
- D = STANDARD SHORT HANDLE BRACKET
- E = 5/16-18 NUTS W/ NYLON INSERTS

- F = WING NUT
- G = EYE BOLT, LONG BRACKET
- H = EYE BOLT, 1/4-20 X 4 IN.
- I = RATCHET HANDLE



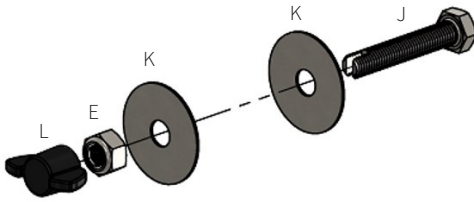
Eye Bolt Handle



Ratchet Type



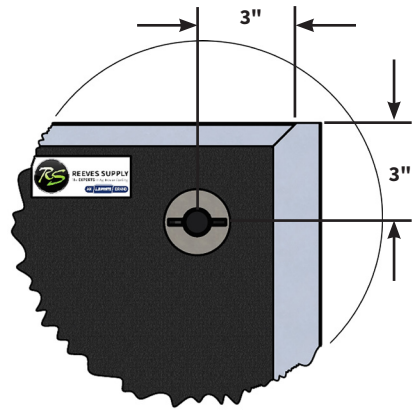
## SPLIT BOLT



E = 5/16-18 NUTS W/ NYLON INSERTS  
 J = SPLIT BOLT, M12-1.75 X 70mm  
 K = FENDER WASHER, 1/2 IN. X 2  
 L = WING NUT, PLASTIC

**NOTE:**

- WINDOW COVERS ONLY COME WITH SPLIT BOLT OPTION.
- FAN COVERS ONLY COME WITH EYE BOLTS .

**DOOR INSTALLATION:**

First door panel to be placed with side the of the door (excluding 1 in. flange) being 1 1/2 in. past the opening. See Fig. 2 & 3 for the following instructions.

- **For 1-5/8 in. door**, set the door down on the "P" gasket of the 2 x 4 hinge board. AVOID sliding the door. Secure the door hinges to the 2 x 4 with #14 x 1 1/2 screws. See Fig. 2.
- **For 1 in. door**, mount the door against the gasket so that it covers both the top and bottom gasket. Secure the door hinges to the 2 x 4 with #14 x 1 1/2 screws. See Fig. 3.
- Verify the first door panel section is installed level before continuing with installing the rest of the door panels.

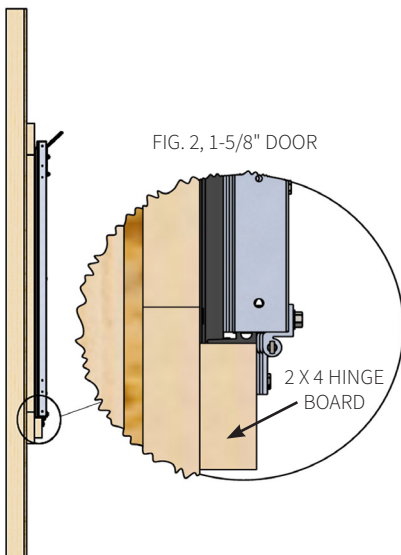
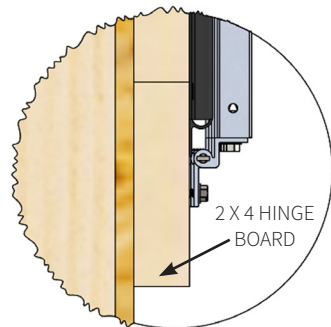
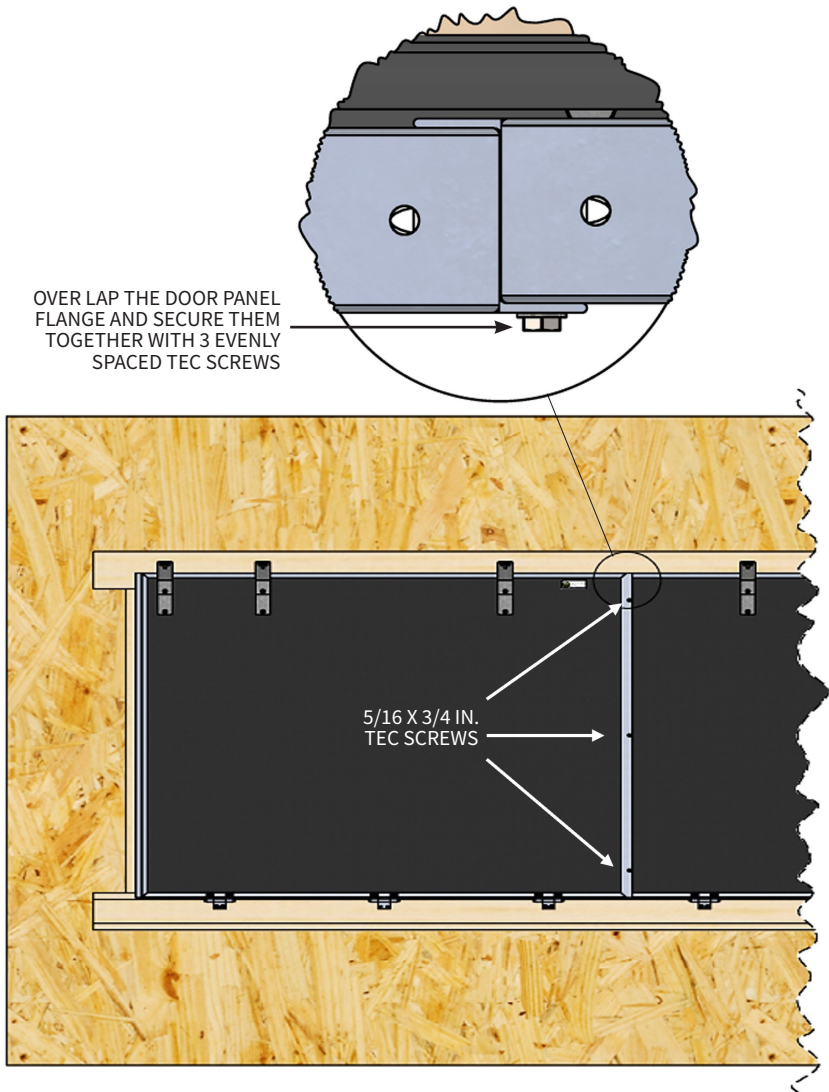
**STEP. 5**

FIG. 3, 1" DOOR



**COMPLETION:**

Doors/covers can be incorporated with house pulley system or can be operated manually. Optional accessory of a latch kit may be purchased separately. Installation of a latching mechanism to secure door/cover during non-operation time.

Contact your local L.B. White dealer for further technical support and service.  
You may also call L.B. White at 800-345-7200 or email us at [customerservice@lbwhite.com](mailto:customerservice@lbwhite.com).

150-131943 REV.B

---

**Innovative Climate Solutions**

411 Mason Street, Onalaska, WI 54650 • 800-345-7200 • 608-783-5691 • [www.lbwhite.com](http://www.lbwhite.com)