

ASSEMBLY and INSTALLATION INSTRUCTIONS



FAN DOOR

View these instructions online at www.lbwhite.com

Preparation

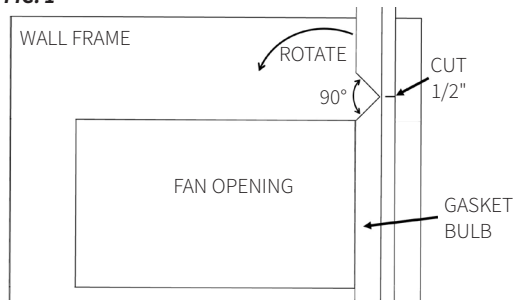
In order to assure proper performance and smooth functioning of the system the installer must understand the importance of quality construction and use of straight quality materials. Attention to details relating to sealing or prevention of air leaks is a must.

- Clean the wall frame surface around the fan door opening with a good cleaner, let it dry completely.
- Roll out and stretch the gasket to remove crimps, twist, or other deformations.

Installation

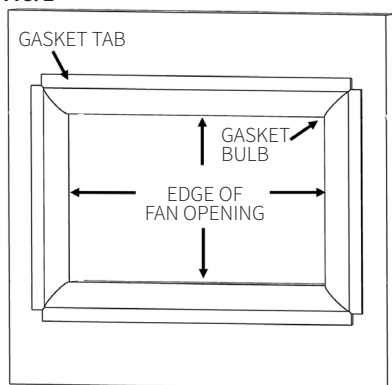
1. Start the gasket at one corner of the fan opening and work around the open. Using a fastener, attach the gasket to the edge of the wall frame (fastener not provided). **DO NOT STRETCH THE GASKET WHILE INSTALLING.**
2. At the corner of the fan opening, cut the bulb part of the gasket as shown in Fig. 1. Make a slit through the flat tab of the gasket. Leaving about 1/4" to be left as a hinge. **DO NOT CUT COMPLETELY ACROSS THE GASKET.**

FIG. 1



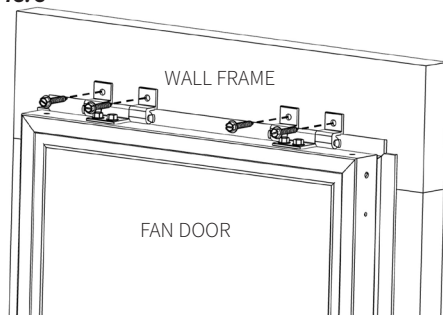
3. Rotate the gasket bulb so it lines up with the edge of the fan opening and repeat step 2. See Fig. 2.

FIG. 2



4. Fasten the fan door hinges to the frame. See Fig. 3.

FIG. 3

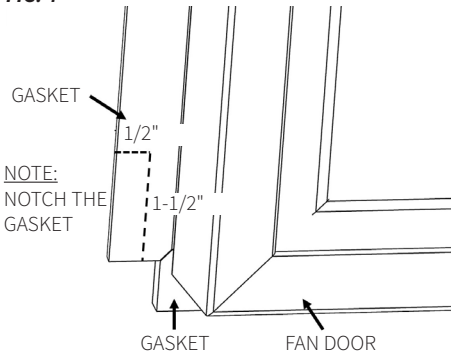


5. Close the fan door and check the gasket. Ensure the gasket seals the fan door completely.
6. Install a latching mechanism (sold separately) to secure door during non-operation time.

Installing Latch Kit (optional accessory)

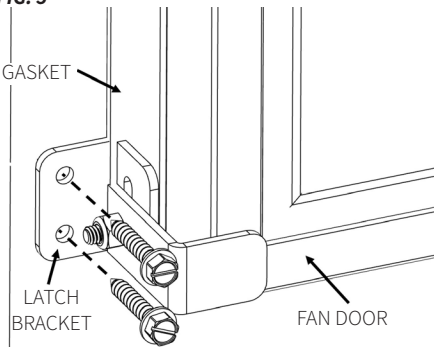
1. Notch the bottom corner of the gasket as shown in Fig. 4. Repeat on the other side corner gasket.

FIG. 4



2. Secure the latch bracket to each side of the fan door with two #14 wooden screws (not included). See Fig. 5. NOTE: Bottom of latch bracket to be flush with bottom of fan door.

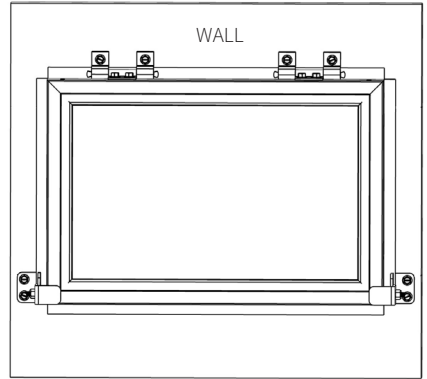
FIG. 5



Completion

1. Check the operation of the fan door.

FIG. 6



2. Ensure the latches hold the fan door securely.

NOTE: Fan door can be incorporated with house pulley system or can be operated manually.

150-132715 REV.A

Contact your local L.B. White dealer for further technical support and service.
You may also call L.B. White at 800-345-7200 or email us at customerservice@lbwhite.com.