



Guardian 2.0 Pilot Forced Air Heater

AB250 250,000 Btuh

LP Vapor Withdrawal or Natural Gas

View this manual online at www.lbwhite.com

Attention

This heater has been tested and evaluated by CSA Group in accordance with ANSI/IAS U.S. LC2-1998 as well as the Canadian Gas Association Standard for Gas Fired Brooders, CAN1-2.20-M85 and is listed and approved as a direct gas-fired circulating heater for the heating of agricultural animal confinement buildings. If you are considering using this product for any application other than its intended use, then please contact your fuel gas supplier, or the L.B. White Company.



Congratulations!

You have purchased the finest agricultural building heater available. Your new L.B. White heater incorporates the benefits from the most experienced manufacturer of heating products using state-of-the-art technology.

We, at L.B. White, thank you for your confidence in our products and welcome any suggestions or comments you may have...contact us at 1-(800)-345-7200, or email us at customerservice@lbwhite.com.

NOTICE

The herein installation instructions are the L.B. White Co. LLC suggested recommendations and guidelines for temporary or permanent installation of the L.B. White Co. LLC heaters. Local, state, and electrical and safety code requirements supersede these guidelines. In the absence of local codes, see page 7 for installation in the U.S. or Canada.

**SEE ASSEMBLY
INSTRUCTIONS
INSIDE**

**Please refer to important
elevation information on
inside cover.**



SCAN THIS

with your smartphone or visit <http://goo.gl/nksqZ> to view maintenance videos for L.B. White heaters.*

* Requires an app like QR Droid for Android or for iPhone

WORLD PROVIDER - INNOVATIVE CLIMATE SOLUTIONS

411 Mason Street, Onalaska, WI 54650 • 800-345-7200 • 608-783-5691 • 608-783-6115 (fax) • www.lbwhite.com

TABLE OF CONTENTS

Heater Specifications.....	4
General Information.....	5
Safety Precautions	5
General Installation Instructions	8
Start-Up / Shut-Down Instructions	13
Cleaning Instructions	14
Maintenance Instructions.....	15
Service Instructions	15
Troubleshooting.....	21
Electrical Connection and Ladder Diagram	29
Service Parts Identification Schematic & Parts List.....	30
Warranty Policy.....	33

WARNING

Standard products are manufactured to operate at optimum efficiency at elevations between 0 and 2000 ft. above sea level.

If operated at higher elevations the product will not function correctly and may function in an unsafe nature.

Products providing proper operation for alternate elevations may be available.

If you require a high elevation product, did not specify when ordering, and/or the box this unit came in does not have an alternate altitude designation sticker please contact technical support.

**GENERAL HAZARD WARNING**

Failure to comply with the precautions and instructions provided with this heater, can result in:

- Death
 - Serious bodily injury or burns
 - Property damage or loss from fire or explosion
 - Asphyxiation due to lack of adequate air supply or carbon monoxide poisoning
 - Electrical shock
 - Read this Owner's Manual before installing or using this heater.
 - Only properly-trained service people should repair or install this heater.
 - Save this Owner's Manual for future use and reference.
 - Owner's Manuals and replacement labels are available at no charge.
- For assistance, contact L.B. White at 800-345-7200.

**WARNING**

- Proper gas supply pressure must be provided to the inlet of the heater.
- Refer to data plate for proper gas supply pressure.
- Gas pressure in excess of the maximum inlet pressure specified at the heater inlet can cause fires or explosions.
- Fires or explosions can lead to serious injury, death, or building damage.
- Gas pressure below the minimum inlet pressure specified at the heater inlet may cause improper combustion.
- Improper combustion can lead to asphyxiation or carbon monoxide poisoning and therefore serious injury or death.

**WARNING**
Fire and Explosion Hazard

- Keep solid combustibles a safe distance away from the heater.
- Solid combustibles include wood, paper products, feathers, straw and dust.
- Do not use the heater in spaces which contain or may contain volatile or airborne combustibles, or products such as gasoline, solvents, paint thinner, dust particles or unknown chemicals.
- Swine production, maintenance, cleaning or other management practices can result in accumulation of methane or other explosive or hazardous gases within the structures.
- Make sure the structure is adequately ventilated to remove any methane or other explosive or hazardous gases that may have accumulated before a heater is placed in operation.
- Failure to follow these instructions may result in a fire or explosion.
- Fire or explosions can lead to property damage, personal injury or loss of life.

**WARNING**
Fire and Explosion Hazard

- Not for home or recreational vehicle use.
- Installation of this heater in a home or recreational vehicle may result in a fire or explosion.
- Fire or explosions can cause property damage or loss of life.

FOR YOUR SAFETY

Do not store or use gasoline or other flammable vapors and liquids in the vicinity of this or any other appliance.

FOR YOUR SAFETY

If you smell gas:

1. Open windows.
2. Don't touch electrical switches.
3. Extinguish any open flame.
4. Immediately call your gas supplier.

**WARNING**

Cancer and reproductive harm.
See www.P65Warnings.ca.gov.

Specifications

		AB250	
		LP Gas	Natural Gas
Maximum Input (btu/h)		250,000	
Minimum Input (btu/h)		160,000	
Ventilation Air Required to Support Combustion (cfm.)		1,050	
Inlet Gas Supply Pressure Acceptable at the Inlet of the Heater for Purpose of Input Adjustment (in.W.C.)	Max.	13.5	
	Min.	11.5	7
Burner Manifold Pressure (in.W.C.)		10	4
Fuel Consumption Per Hour	Max.	11.57 lbs.	250 cu. ft.
	Min.	7.41 lbs.	160 cu. ft.
Motor Characteristics		Ball Bearing	
		1/3 H.P. 1100 RPM	
Electrical Supply (Volts/Hz/Phase)		120/60/1	
Amp Draw	Starting	7.3	
	Continuous	4.5	
	Operation		
Dimensions (Inches) L x W x H		30 ⁵ / ₈ x 18 x 28	
Weight, Heater Only (lbs.)		105	
Minimum Safe Distances From Heater to Nearest Combustible	Top	1 ft. (0.3 m)	
	Sides	1 ft. (0.3 m)	
Materials	Back	1 ft. (0.3 m)	
	Blower Outlet	6 ft. (1.83 m)	
	Gas Supply	L.P. Gas Supply - 6 ft. (1.83 m) Natural Gas Supply - N/A	

General Information

This Owner's Manual includes accessories commonly used on this heater. These accessories must be ordered separately. When calling for technical service assistance, or for other specific information, **always** have model number, configuration number and serial number available. This information is contained on the dataplate.

This manual will instruct you in the operation and care of your unit. Have your installer review this manual with you so that you fully understand the heater and how it functions. Contact your local L.B. White distributor or the L.B. White Company, LLC for assistance, or if you have any questions about the use of the equipment or its application. The L.B. White Company, LLC has a policy of continuous product improvement. It reserves the right to change specifications and design without notice.

Safety Precautions

WARNING

Asphyxiation Hazard

- Do not use this heater for heating human living quarters.
- Do not use in unventilated areas.
- The flow of combustion and ventilation air must not be obstructed.
- Proper ventilation air must be provided to support the combustion air requirements of the heater being used.
- Refer to the specification section of the Owner's Manual, heater's dataplate, or contact the LB White Company to determine combustion air ventilation requirements of the heater.
- Lack of proper ventilation air will lead to improper combustion.
- Improper combustion can lead to carbon monoxide poisoning in humans leading to serious injury or death. Symptoms of carbon monoxide poisoning can include headaches, dizziness and difficulty in breathing.
- Symptoms of improper combustion affecting livestock can be disease, lower feed conversion, or death.

Fuel Gas Odor

Propane gas and natural gas have man-made odorants added specifically for detection of fuel gas leaks. If a gas leak occurs, you should be able to smell the fuel gas .

THAT'S YOUR SIGNAL TO GO INTO IMMEDIATE ACTION!

- Do not take any action that could ignite the fuel gas. Do not operate any electrical switches. Do not pull any power supply or extension cords. Do not light matches or any other source of flame. Do not use your telephone.
- Get everyone out of the building and away from the area immediately.
- Close all fuel supply valves.
- Propane gas is heavier than air and may settle in low areas. When you have reason to suspect a propane leak, keep out of all low areas.
- Use your neighbor's phone and call your fuel gas-supplier and your fire department. Do not re-enter the building or area.
- Stay out of the building and away from the area until declared safe by the firefighters and your fuel gas supplier.
- FINALLY, let the fuel gas service person and the firefighters check for escaped gas. Have them air out the building and area before you return. Properly trained service people must repair the leak, check for further leakages, and then relight the heater for you.

Odor Fading - No Odor Detected

- Some people cannot smell well. Some people cannot smell the odor of the man-made chemical added to propane or natural gas. You must determine if you can smell the odorant in these fuel gases.
- Learn to recognize the odor of propane gas and natural gas. Local propane gas dealers and your local natural gas supplier (utility) will be more than happy to give you a "scratch and sniff" pamphlet. Use it to become familiar with the fuel gas odor.
- Smoking can decrease your ability to smell. Being around an odor for a period of time can affect your sensitivity to that particular odor. Odors present in animal confinement buildings can mask fuel gas odor.
- The odorant in propane gas and natural gas is colorless and the intensity of its odor can fade under some circumstances.
- If there is an underground leak, the movement of gas through the soil can filter the odorant.
- Propane gas odor may differ in intensity at different levels. Since propane gas is heavier than air, there may be more odor at lower levels.
- Always be sensitive to the slightest gas odor. If you continue to detect any gas odor, no matter how small, treat it as a serious leak. Immediately go into action as discussed previously.

Attention - Critical Points to Remember!

- Propane gas and natural gas have a distinctive odor. Learn to recognize these odors. (Reference “Fuel Gas Odor” and “Odor Fading” sections above.
 - If you have not been properly trained in repair and service of propane gas and natural gas fueled heaters, then do not attempt to light the heater, perform service or repairs, or make any adjustments to the heater on a propane gas or natural gas fuel system.
 - Even if you are not properly trained in the service and repair of radiant heaters, ALWAYS be consciously aware of the odors of propane gas and natural gas.
 - A periodic “sniff test” around the heater or at the heater’s joints; i.e. hose, connections, etc., is a good safety practice under any conditions. If you smell even a small amount of gas, CONTACT YOUR FUEL GAS SUPPLIER IMMEDIATELY. DO NOT WAIT!
1. Do not attempt to install, repair, or service this heater or the gas supply line unless you have continuing expert training and knowledge of gas heaters.

QUALIFICATIONS FOR SERVICING AND INSTALLATION:

- a. To be a qualified gas heater service person, you must have been trained in gas-fired heater servicing, repair and also have sufficient experience to allow you to troubleshoot, replace defective parts, and test heaters in order to get them into a continuing safe and normal operation condition. You must completely familiarize yourself with each model heater by reading and complying with the safety instructions, labels, owner’s manual, etc. that are provided with each heater.
 - b. To be a qualified gas installation person, you must have sufficient training and experience to handle all aspects of installing, repairing, and altering gas lines, including selecting and installing the proper equipment, and selecting proper pipe size to be used. This must be done in accordance with all local, state and national codes as well as the manufacturer’s requirements.
2. All installations or applications of L. B. White Co., LLC’s heaters shall meet the requirements of local, state and national L.P. gas and natural gas, electrical and safety codes. Your gas supplier, local licensed electrician, local fire department and government agencies can help you determine these requirements. In the absence of local codes, comply with the following:
 - a. Installations in the U.S.A.:
 - ANSI/NFPA 58, latest edition, Standard for Storage and Handling of Liquefied Petroleum Gas and/or
 - ANSI Z223.1/NFPA 54, National Fuel Gas Code
 - ANSI/NFPA 70, National Electrical Code.
 - b. Installations in Canada:
 - CAN1-B149.1 or CAN1-B149.2 Installation Codes
 - CSA C22.1 Part 1 Standard Canadian Electrical Code. CSA C22.2 No.3, Electrical Features of Fuel Burning Equipment.
 3. Do not move, handle, or service the heater while in operation or connected to a power or fuel supply.
 4. This heater may be installed in areas subject to wash down. This heater may only be washed on the external case assembly—see Cleaning Instructions. Do not wash the interior of the heater. Use only compressed air, soft brush or dry cloth to clean the interior of the heater and it’s components. After external wash down, do not operate this heater until it is completely dry. In any event, do not operate the heater for at least one hour after external wash down.
 5. For safety, this heater is equipped with a manual reset high-limit switch and an air proving switch. Never operate this heater with any safety device that has been bypassed. Do not operate this heater unless these features are fully functioning.
 6. Do not operate the heater with its door open or panel removed.
 7. Do not locate fuel gas containers or fuel supply hoses within 20 ft. of the blower outlet of the heater.
 8. Do not block air intakes or discharge outlets of the heater. Doing so may cause improper combustion or damage to heater components leading to property damage or animal loss.

General Installation Instructions

9. The hose assembly shall be visually inspected on an annual basis. If it is evident there is excessive abrasion or wear, or if the hose is cut, it must be replaced prior to the heater being put into operation. The hose assembly shall be protected from animals, building materials, and contact with hot surfaces during use. The hose assembly shall be that specified by the manufacturer. See parts list.
10. Check for gas leaks and proper function upon heater installation, before building repopulation or when relocating.
11. This heater should be inspected for proper operation by a qualified service person before building repopulation and at least annually.
12. Always turn off the gas supply to the heater if the heater is not going to be used in the heating of livestock.
13. This heater is equipped with a three-prong (grounding) plug for your protection against shock hazard and must be plugged directly into a properly grounded three-prong receptacle. Failure to use a properly grounded receptacle can result in electrical shock, personal injury, or death.
14. In a hanging type installation, rigid pipe or copper tubing coupled directly to the heater may cause gas leaks during movement, and therefore must not be used. Use only gas hose assemblies that are rated and approved for L.P. gas and natural gas in a hanging type of installation.
15. Installations not using the gas hose supplied with this appliance must connect dimensionally using American National Standard Wrought Steel and Wrought Iron Pipe B36/10-1970. (Aluminum piping or tubing shall not be used.) Copper tubing when used for conveying natural gas, shall be internally tinned or equivalently treated to resist sulphur.



WARNING

Fire or explosion hazard.

Can cause property damage, severe injury or death.

1. Disconnect the power supply before wiring to prevent electrical shock or equipment damage.
 2. To avoid dangerous accumulation of fuel gas, turn off gas supply at the appliance service valve before starting installation, and perform gas leak test after completion of installation.
 3. Do not force the gas control knob. Use only your hand to turn the gas control knob. Never use any tools. If the knob will not operate by hand, the control should be replaced by a qualified service technician. Force or attempted repair may result in fire or explosion.
1. Read all safety precautions and follow L. B. White recommendations when installing this heater. If during the installation or relocating of heater, you suspect that a part is damaged or defective, call a qualified service agency for repair or replacement.
 2. Make sure the heater is properly positioned before use and is hung level. Observe and obey all minimum safe distances of the heater to the nearest combustible materials. Minimum safe distances are given on the heater nameplate and on page 4 of this manual.
 3. The heater is approved for indoor use only.
 4. The heater must have the proper gas regulator installed for the application. A regulator must be connected to the gas supply so that gas pressure at the inlet to the gas valve is regulated within the range specified on the dataplate at all times. Contact your gas supplier, or the L.B. White Co., LLC. if you have any questions.
 5. The unit's gas regulator (with pressure relief valve) should be installed outside of building. Any regulators inside buildings must be properly vented to the outside. Local, state and national codes always apply to regulator installation. Natural gas regulators with vent limiting device may be mounted indoors without venting to outdoors.
 6. All gas pressure regulators must be installed in strict accordance with the manufacturer's safety instructions. The instructions accompany each regulator.

7. Ensure that all accessories that ship within the heater have been removed from inside of heater and installed. This pertains to air diverters, hose, regulators, etc.
8. Ensure that a sediment trap is installed at the gas valve inlet to prevent foreign materials (pipe compound, pipe chips and scale) from entering the gas valve. Debris blown into the gas valve may cause that valve to malfunction resulting in a serious gas leak that could result in a possible fire or explosion causing loss of products, building or even life. A properly installed sediment trap will keep foreign materials from entering the gas valve and protect the safe functioning of that important safety component.
9. Any heater connected to a piping system must have an accessible, approved manual shut off valve installed within six feet (6 ft.) of the heater.
10. Check all connections for gas leaks using approved gas leak detectors. Gas leak testing is performed as follows:
 - Check all pipe connections, hose connections, fittings and adapters upstream of the gas control with approved gas leak detectors.
 - With the main burner in operation, check all connections, hose connections, fittings and joints as well as the gas control valve inlet and outlet connections with approved gas leak detectors.
 - If a leak is detected, check the components involved for cleanliness in the thread areas and proper application of pipe compound before further tightening.
 - Tighten the gas connection as necessary to stop the leak.
 - If necessary, replace the parts or components involved if the leak cannot be stopped.
 - Ensure all gas leaks have been identified and repaired before proceeding.
11. A qualified service agency must check for proper operating gas pressure upon installation of the heater.
12. Light according to instructions on heater or within owner's manual.
13. It is extremely important to use the proper size and type of gas supply line to assure proper functioning of the heater. Contact your fuel gas supplier for proper line sizing and installation.
14. This heater can be configured for use with either L.P. gas vapor withdrawal or natural gas. Consult the dataplate, located on interior of the burner end or motor end door, for the gas configuration of the specific heater. Do not use the heater in an L.P. gas liquid withdrawal system or application. If you are in doubt, contact the L.B. White Co., LLC.
15. Eventually, like all electrical/mechanical devices, the thermostat can fail. Thermostat failure may result in either an underheating or overheating condition which may damage critical products and/or cause animal injury or death. Critical products and/or animals should be protected by a separate back-up control system that limits high and low temperatures and also activates appropriate alarms.



WARNING

Fire and Explosion Hazard

- Do not use open flame (matches, torches, candles, etc.) in checking for gas leaks.
- Use only approved leak detectors.
- Failure to follow this warning can lead to fires or explosions.
- Fires or explosions can lead to property damage, personal injury or loss of life.

- In the event a gas leak is detected, check the components involved for cleanliness and proper application of pipe compound before further tightening.
- Furthermore tighten the gas connections as necessary to stop the leak.
- After all connections are checked and any leaks are stopped, turn on the main burner.
- Stand clear while the main burner ignites to prevent injury caused from hidden leaks that could cause flashback.

16. Take time to understand how to operate and maintain the heater by using this Owner's Manual. Make sure you know how to shut off the gas supply to the building and also to the individual heater. Contact your fuel gas supplier if you have any questions.
17. Any defects found in performing any of the service or maintenance procedures must be eliminated and defective parts replaced immediately. The heater must be retested by properly qualified service personnel before placing the heater back into use.
18. Do not exceed input rating stamped on the dateplate of the heater. Do not exceed the burner manifold pressure stated on the dateplate. Do not use an orifice size different than specified input rating of this heater, fuel type configuration and altitude.

Air Diverter Installation Instructions

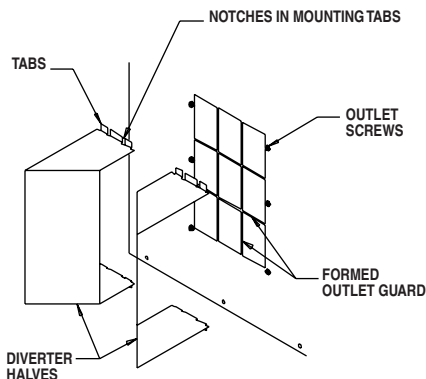
(Must be ordered separately)

(Appearance of the outlet on heater may vary from model to model.)

1. Air diverters can be installed in the heater outlet to provide direction to the heated air as it exits the heater. Installation options include installing the diverters in such a way as to broadly distribute the air in two 45 degree paths or to focus the air flow in one 45 degree direction. See Fig. 1.
2. The air diverters may require hand forming prior to installation. Make 90 degree bends utilizing the perforations provided. Diverter should then have the shape shown in Fig. 1.
3. The air diverter's tabs on each half will pop into the blower outlet between the inside of the case assembly and the blower housing outlet. If the notched tabs do not pop into the blower outlet, loosen (do not remove) the blower outlet screws. Doing this provides a gap into which you can insert the tabs. Retighten the screws after installation.

FIG. 1

(Typical installation allowing two directions of air movement.)



Alternate Air Diverter Installations

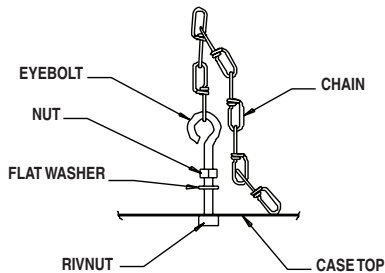


Hanging Kit

(Must be ordered separately)

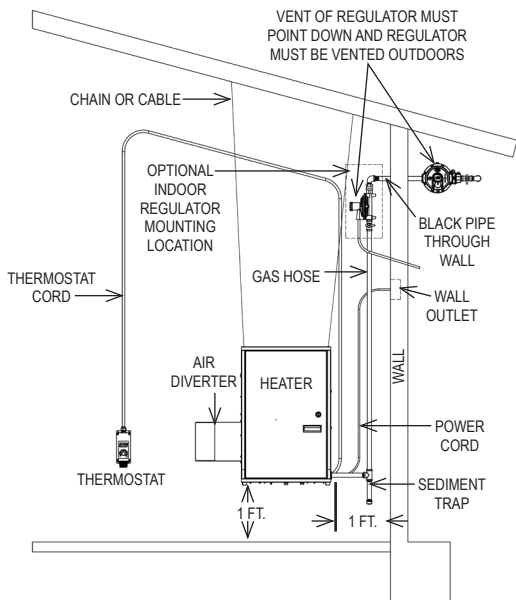
1. Assemble eyebolts & chain according to Fig. 2. Tighten hardware securely.

FIG. 2



2. Be sure heater is securely fastened and is hanging level. (Check crosswise and lengthwise.)
3. See Fig. 3 for typical indoor installation. In any animal confinement building, consideration must be given to making sure the heater is located away from the livestock so that livestock cannot knock the heater,

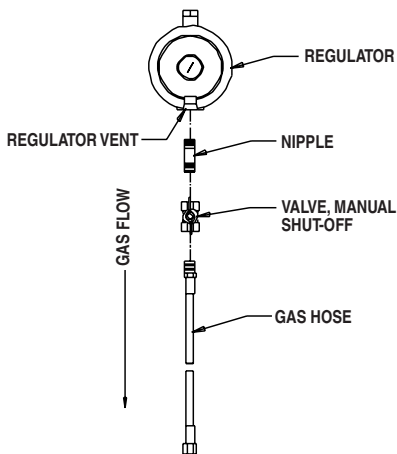
tear it loose from its mounting, or damage the heater or its gas supply line in any way. Make sure you observe and obey minimum clearance distances to combustible materials as stated in the specification section of this owner's manual and on the heater itself.

FIG. 3

Fuel Gas Code Handbook, CAN B149.1, CAN B149.2, & local codes as appropriate.

3. Tighten all connections securely.

4. Check all connections for gas leaks using approved gas leak detectors.

FIG. 4

Thermostat Installation (Must be ordered separately)

Manual Shut-off Valve, Hose & Regular Assembly (Must be ordered separately)

1. Always use approved pipe thread compound suitable for use with L.P. gas or natural gas on the threaded connections.
2. Assemble the components together according to Fig. 4. This view is to show general assembly of the components only. The regulator must always be mounted so its vent, regardless of location on the regulator, is always pointed downward.

NOTE: The regulator should always be mounted outdoors. If circumstances force installing the regulator indoors, the regulator's vent must be vented to the outdoors using vent line no smaller than the regulator vent opening. Refer to NFPA 54, National

WARNING Electrical Shock Hazard

- Disconnect the electrical supply before connecting the thermostat to the heater.
- Failure to follow this warning can result in electrical shock, leading to personal injury or death.

1. To Connect the Series Tap Plug Thermostat Kit (500-09454):

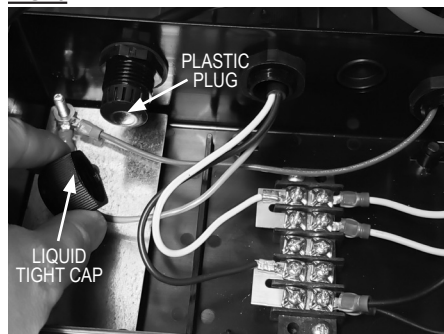
- a. Connect the power cord of the heater to the female side of the plug on the end of the kit's thermostat cord.
- b. Plug the male side of the series tap plug on the thermostat cord into a three-wire (grounded) electrical outlet within the building.
- c. Start the heater and check for proper operation.

2. To Connect the Direct Wired Thermostat Kit (500-20176) to the Heater:

The thermostat installation and wiring must be done by an electrician or someone properly qualified. The thermostat wiring shall be of minimum 18 gauge.

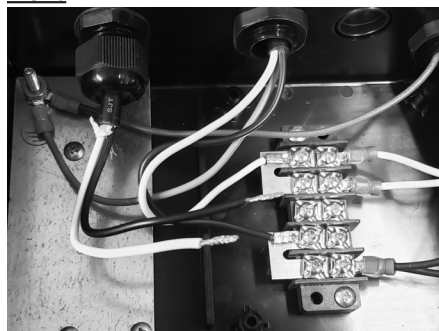
- Loosen the two Phillips head screws securing the control box lid.
- Remove the control box lid.
- Remove the liquid tight connector cap and the black plastic plug. See Fig. 5.

FIG. 5



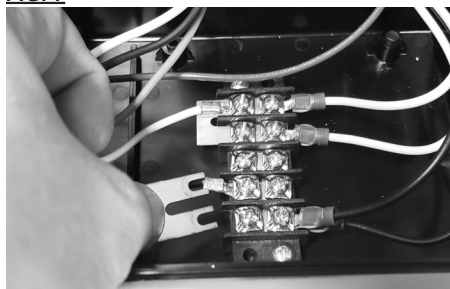
- Insert the thermostat wires through the liquid tight connector and cap.
- Cut both female quick connect terminals from the thermostat's wires and strip the wires back 1/4 in. See Fig. 6

FIG. 6



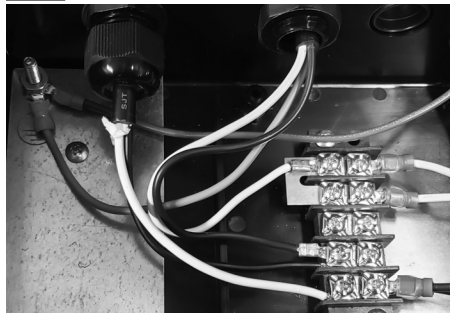
- Loosen the lower jumper screws and remove the jumper. DO NOT remove the black wire from the terminal block. See. Fig. 7.

FIG. 7



- Insert the black lead from the thermostat with the power supply black wire to the terminal block. Tighten the screw.
- Insert the white lead from the thermostat to the bottom screw of the terminal block. Tighten the screw. See Fig.8.

FIG. 8

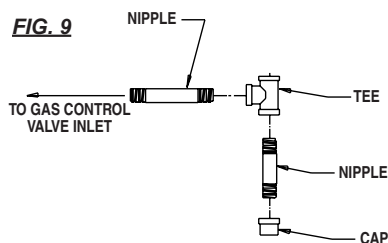


- Tighten the liquid tight cap around the connector body.
- Install the control box lid and secure it.
- Start the heater and check for proper operation.

Sediment Trap Assembly

Assemble the tee, nipples and cap together and tighten securely. See Fig. 9. The sediment trap assembly must always be mounted in a vertical position. Make sure pipe thread compound that is resistant to both L.P. gas and natural gas is used in making all connections. Check all connections for gas leaks using approved gas leak detectors.

FIG. 9

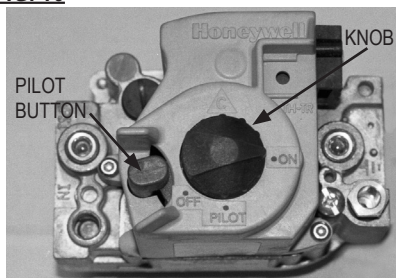


Start-Up Instructions

Follow steps 1 - 8 on initial start-up after heater installation by a qualified gas heater service person. For normal start-up, simply turn thermostat above room temperature. The heater will start.

1. Open all manual fuel supply valves and check for gas leaks using approved certified leak detectors.
2. The gas control valve incorporates a manual gas shut off feature. Position the indicator on the shut off knob to PILOT.
3. Fully depress the red pilot button located on the control valve while applying flame to the pilot light orifice. See Fig. 10.
4. Keep the button depressed for about 30 seconds to allow the thermocouple to warm up so the pilot stays lit after you release the pilot button. On new installations it may take about a minute for the gas to purge out any air in the pilot line before the pilot lights.
5. Position the knob to ON.
6. Connect the heater's electrical cord to an approved electrical outlet.

FIG. 10



7. Set the thermostat above room temperature. The heater will light. Reset thermostat to desired room temperature.
8. Do not exceed input rating stamped on nameplate of appliance, or manufacturer's recommended burner orifice pressure for size orifice(s) used.

Shut-Down Instructions

If the heater is to be shut-down for cleaning, maintenance or repair, follow steps 1-4. Otherwise, simply turn thermostat to OFF or no heat for standard shut down.

1. Close all manual fuel supply valves.
2. With the heater lit, allow heater to burn off excess fuel in gas supply hose.
3. Turn thermostat to off or no heat position.
4. Disconnect the heater from the electrical supply.

Variable Heat Output

1. Some models of propane (LP) gas or natural gas heaters have a throttle valve for varying heat output located between the gas control valve and gas manifold assemblies. See Fig. 11. THIS IS NOT A MANUAL GAS SHUT OFF VALVE.
2. The throttle valve can be adjusted to deliver either minimum heat or maximum heat. When the throttle valve handle is parallel to the gas flow, the valve is completely open to deliver maximum heat output. The throttle valve may be adjusted to minimum heat output by turning the handle 90° to gas flow or any position between maximum and minimum settings. See Fig. 12.

FIG. 11

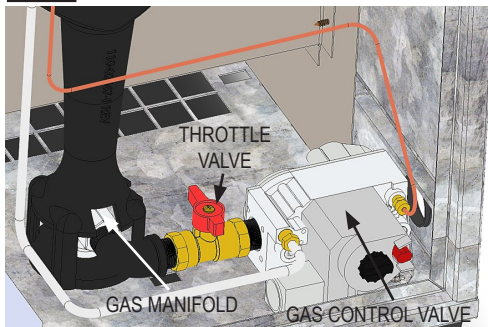
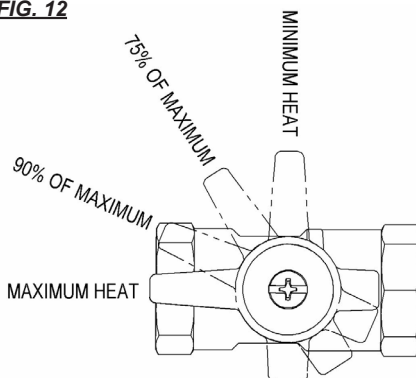


FIG. 12



Cleaning Instructions



WARNING

Fire, Burn, and Explosion Hazard

- This heater contains electrical and mechanical components in the gas management, safety and airflow systems.
- Such components may become inoperative or fail due to dust, dirt, wear, aging, or the corrosive atmosphere of an animal confinement building.
- Periodic cleaning and inspection as well as proper maintenance are essential to avoid serious injury or property damage.

1. Before cleaning, close fuel supply valve to heater and disconnect electrical supply.
2. The heater should have dirt or dust removed periodically:
 - a. After each flock or between building re-population, give the heater a general cleaning using compressed air or a soft brush on its interior and exterior. At this time, dust off the motor case to prevent the motor from over-heating and shutting the heater down.
 - b. At least once a year, give the heater a thorough cleaning. At this time, remove the fan and motor assembly and brush or blow off the fan wheel, giving attention to the individual fan blades. Additionally, make sure the burner air inlet venturi ports and the throat of the casting are free of dust accumulation and the area between the heat chamber top and inside case is also free of dust.
 - c. When washing with water, observe and obey the Warning within these Cleaning Instructions. This same Warning is also supplied on the heater.



WARNING

This heater may be washed only on the external case assembly provided:

- A. The heater is disconnected from the electrical supply.
- B. All access panels are securely closed.
- C. Water spray nozzle shall not discharge within 6 feet of the heater.
- D. The water pressure does not exceed 45 PSIG for 10 seconds on each side of heater.
- E. The heater is not reconnected to electrical supply for a minimum of 1 hour or until the heater is thoroughly dry.

Improper cleaning of the heater can cause severe personal injury or property damage due to water and/or cleaning solution:

1. In electrical components, connections and wires causing electrical shock or component failure.
2. On gas control components causing corrosion which can result in gas leaks and fire or explosion from the leak.

Clean internal components of the heater with a soft, dry brush or cloth, or compressed air.

Maintenance Instructions

1. Have your gas supplier check all gas piping annually for leaks or restrictions in gas lines. Also, at this time have your gas supplier clean out the sediment trap of any debris that may have accumulated.
2. **The heater's surrounding area shall be kept clear and free from combustible materials, gasoline, and other flammable vapors and liquids.**
3. Regulators can wear out and function improperly. Have your gas supplier check the date codes on all regulators installed and check delivery pressures to the appliance to make sure that the regulator is reliable.
4. Regulators must be periodically inspected to make sure the regulator vents are not blocked. Debris, insects, insect nests, snow, or ice on a regulator can block vents and cause excess pressure at the appliance.
5. Review all heater markings (ie. warnings, start-up/shutdown, electrical wiring, diagrams, etc.) for legibility. Ensure that none are cut, torn, or otherwise damaged. Any damaged markings must be replaced immediately by contacting L.B. White Co., LLC. Markings are available at no cost.
6. Before each use, inspect gas hoses for nicks, cuts, or corroded fittings. **Replace the complete gas hose assembly if defects are found.**
7. Inspect the heater's electrical connections and wiring. Replace any terminals that are corroded and any wires that are cut or nicked.

Service Instructions



WARNING Burn Hazard

- Heater surfaces are hot for a period of time after the heater has been shut down.
- Allow the heater to cool before performing service, maintenance, or cleaning.
- Failure to follow this warning will result in burns causing injury.



WARNING Fire and Explosion Hazard

- Do not disassemble or attempt to repair any heater components or gas train components such as gas valves, or gas hoses.
- All component parts must be replaced if defects are found.
- Failure to follow this warning will result in fire or explosions, causing property damage, injury, or death.

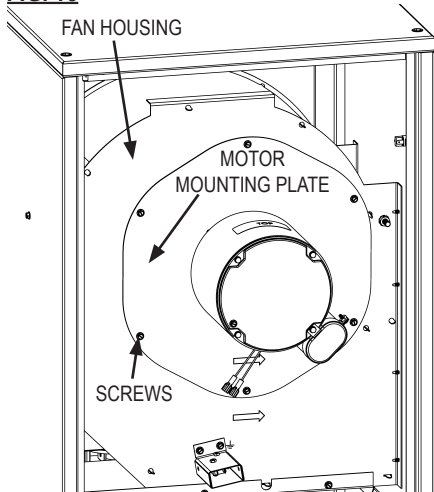
1. Close the fuel supply valve to the heater and disconnect the electrical supply before servicing unless necessary for your service procedure.
2. Clean the heater's orifice with compressed air or a soft, dry rag. Do not use files, drills, broaches, etc. to clean the orifice hole. Doing so will enlarge the hole, causing combustion or ignition problems. Replace the orifice if it cannot be cleaned properly.
3. The high limit switch and air proving switch can be tested by:
 - Disconnecting the leads at the component, and jumpering the leads together.:
 - Reconnect the electrical supply and open fuel supply valves.
 - If the heater lights, the component is defective and must be replaced.
 - Do not leave the jumper on or operate the heater if the part is defective. Replace the part immediately.
 - An alternate method for checking the components is to perform a continuity check.

4. Open the respective case panel for access to burner or fan related components. Open the control box for access to the ignition controller, and transformer.
5. Disconnect the appropriate electrical leads when replacing components.
6. For reassembly, reverse the respective service procedure. Ensure gas connections are tightened securely.
7. After servicing, start the heater to ensure proper operation and check for gas leaks.

Motor & Fan Assembly

1. Remove the motor mounting plate screws and lift the fan and motor assembly from the housing. See Fig. 13.
2. Loosen the square head set screw(s) on the fan wheel.
3. Pull the fan wheel from the motor shaft. Use a wheel puller if necessary.
4. Remove the four (4) nuts securing the motor to the mounting plate.

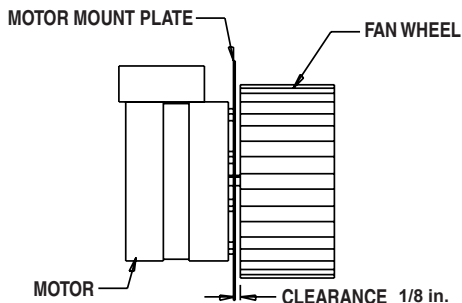
FIG. 13



NOTES:

- a. Fan wheel to motor mount plate spacing must be adjusted to the clearance specified below before tightening the fan wheel to the motor shaft. See Fig. 14.
- b. Make sure that set screw(s) of the fan are on the flats of motor shaft when tightening.

FIG. 14



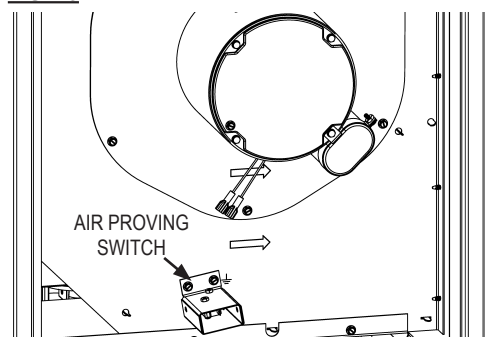
Air Proving Switch

The air proving switch is located on the fan housing at the motor end of the heater. See Fig. 15.

The air proving switch must work properly to allow ignition. It is wired in series to the high limit switch, which is then in series to the gas control valve. If the air proving switch contacts do not close on a call for heat after the fan motor starts, ignition will not occur.

1. Remove the two (2) sheet metal screws holding the switch with bracket to blower housing.
2. Remove the assembly by turning the switch so the paddle on the switch arm can be pulled through the oblong hole on side of fan housing.

FIG. 15



Thermocouple

1. Remove the thermocouple's lead connector nut threaded into the gas control valve. See Fig. 16.
 2. Pull firmly down on the thermocouple to disengage it from the pilot bracket. See Fig. 17.
- The thermocouple is an important safety device which works directly with the pilot safety control valve. It should only be replaced with the thermocouple part number as given in the parts list.
 - When threading the thermocouple's connector nut back into the power unit on the gas control valve, thread the nut in finger tight and snug it in place with a wrench. **DO NOT OVERTIGHTEN OR USE UNNECESSARY FORCE ON THE NUT WHEN TIGHTENING.** Doing so will destroy the power unit in the gas control valve.

FIG. 16

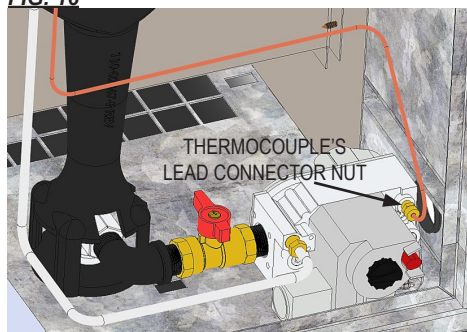
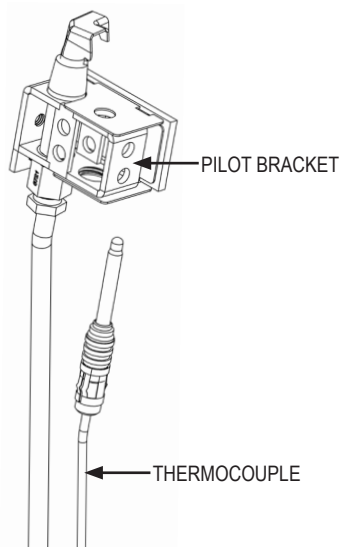


FIG. 17



Pilot Light Assembly

See Fig. 18 for the following.

1. Remove the left burner casting screw.
2. Remove the two Phillip screws securing the pilot shield to the pilot assembly.
3. Slide the pilot shield up, exposing the pilot bracket, pilot orifice, and thermocouple.
4. Using a soft brush or compressed air, clean the pilot stack of dust and dirt, paying attention to the throat of the pilot stack and the flame spreader at the top of the stack.
5. Brush off the top of the pilot orifice, making sure dust and dirt have not plugged the orifice hole.
6. Servicing the pilot orifice:
 - Loosen the compression fitting and remove the pilot tube from the inlet of the pilot orifice.
 - Remove the pilot orifice from the pilot bracket.
 - Hold the orifice up to the light to see if the hole in the orifice is open. If not, clean with air.
 - See Fig. 19 for comparison. Ensure the proper pilot orifice is installed for the fuel being used.

FIG. 18

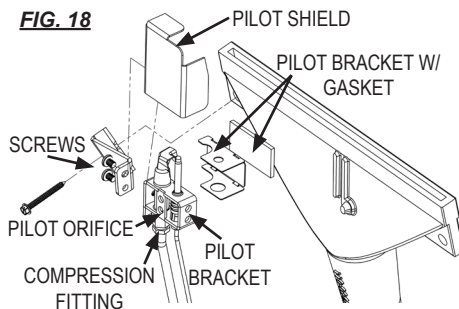
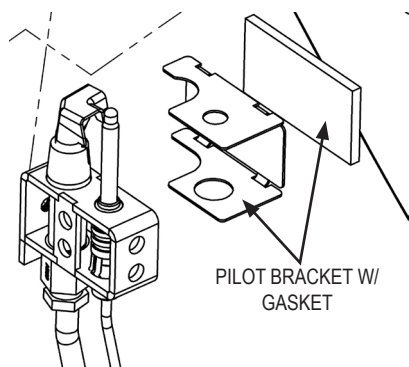


FIG. 19



Prevent damage to the gasket located between the pilot assembly and the burner. Damage or missing gasket will cause a pilot outage to occur. Ensure the gasket is properly positioned on the pilot bracket before reassembly of the pilot assembly. See Fig. 20.

FIG. 20



Burner Orifice and Gas Control Valve

- Remove the following:
 - Hose and sediment trap from heater.
 - Screws from bracket at inlet of gas control valve.
 - Burner retaining bolt from underside of base. See Fig. 21.
- Disconnect the pilot line, thermocouple, and electrical leads from the gas control valve.
- Pivot the valve/manifold assembly as necessary so orifice on manifold clears the burner casting venturi port. See Fig. 22.
- Replace components as needed.

FIG. 21

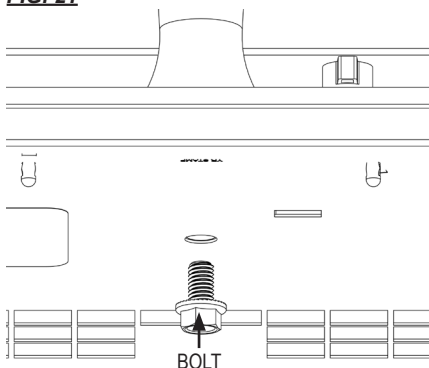
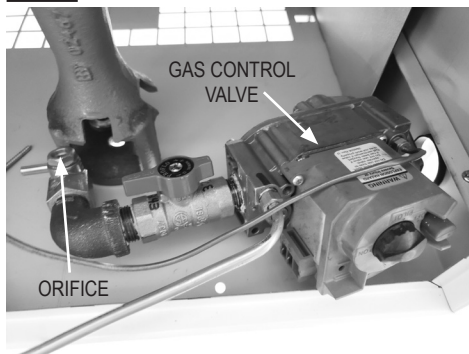


FIG. 22



High Limit Switch

WARNING Fire Hazard

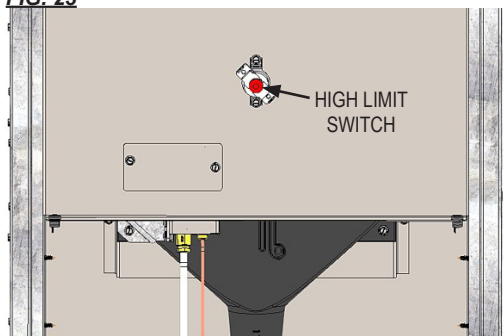
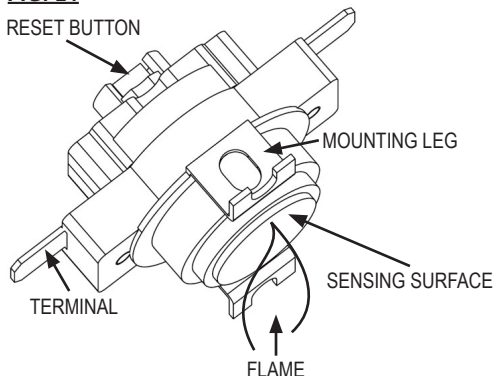
- Do not operate the heater with the high limit switch bypassed.
- Operating the heater a bypass high limit switch may lead to overheating, possibly resulting in a fire, with subsequent damage to the heater, building damage, or loss of livestock.

This heater uses a high limit heat switch for the purpose of over heat protection. The high limit switch is located on the heat chamber, see Fig. 23. It is connected between the ignition control and the gas control valve.

The switch has normally closed contacts. If an over-heat condition occurs, the switch contacts will open, thereby opening the circuit to the gas control valve. The high limit switch should be tested a minimum of once per year when the heater is given a thorough cleaning.

- Remove the switch. Holding the switch by one of its mounting legs, apply a small flame only to the sensing portion on the back of the switch. See Fig. 24. **Do not melt the plastic housing of the switch when conducting this test.**

2. Within a minute, you should hear a “pop” coming from the switch, which indicates the contacts of the switch have opened. Check for lack of electrical continuity across the switch terminals to verify contacts have opened.
3. Allow the switch cool down for about a minute before firmly pressing the reset button on the switch.
4. Check for electrical continuity across the switch terminals to make sure the contacts have closed.
5. Reinstall the switch back into the heater. Reconnect the heater to its electrical supply. Start the heater and check for proper operation.

FIG. 23**FIG. 24**

Gas Pressure Checks

⚠ WARNING

- Do not disassemble the gas control valve.
- Do not attempt to replace any components of the gas control valve.
- The gas control valve must be replaced if any physical damage occurs to the control valve assembly.
- Failure to follow this warning will result in fire or explosions, leading to injury or death to humans, and property damage.

- The following explains a typical procedure to be followed in checking gas pressures.
- The gas pressures will vary depending upon fuel type.
- Consult the dataplate on the heater or page 4 in this manual for specific pressures to be used in conjunction with this procedure.
- Gas pressure measured at the inlet to the gas valve is Inlet Pressure and gas pressure measured at the outlet of the gas valve is Burner Manifold Pressure.

A. Preparation

1. Obtain two pressure gauges capable of reading up to 35 in. W.C.
2. Disconnect the heater from the electrical supply and close the fuel supply valve to the heater inlet.
3. Open the burner access panel
4. Brush or blow off any dust and dirt on or in the vicinity of the gas control valve.

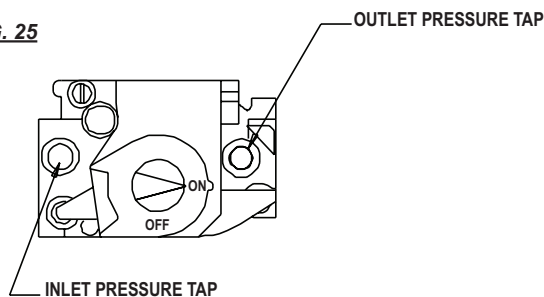
B. Gauge Installation

1. Locate the inlet and outlet pressure taps, see Fig. 25. Remove the pressure tap plug using a 3/16 in. allen key.
2. Securely connect a pressure gauge to each pressure tap. See Fig. 26.
3. Open the fuel supply valves to the heater and reconnect the heater electrical supply.
4. Start the heater.

C. Reading Pressures

1. With the heater operating, the pressure gauges should read the pressures specified on the dataplate.
2. Do the readings at the inlet and outlet pressure gauges agree with that specified on the dataplate?
3. If the inlet pressures do not agree with that specified on the dataplate, then the regulator controlling gas pressure to the heater requires adjustment.
4. If the inlet pressures are correct and the burner manifold pressure does not agree with that specified on the dataplate, then the gas control valve's internal pressure regulator requires adjustment. See Fig. 28 for regulator location.

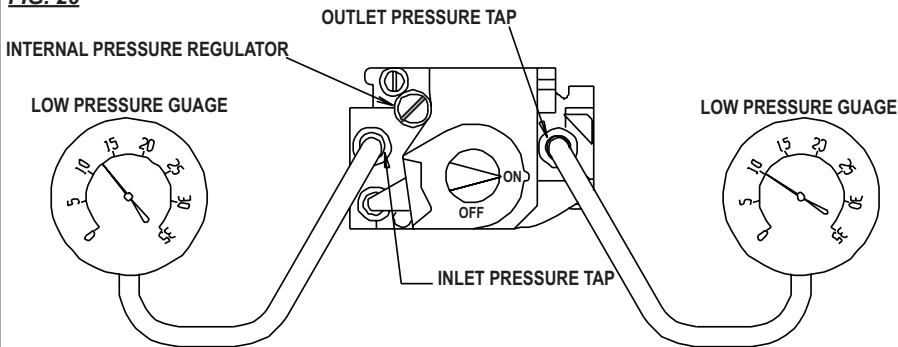
FIG. 25



D. Completion

1. Once the proper inlet and burner manifold pressure have been confirmed and/or properly set, close the fuel supply valve to the heater and allow the heater to burn off any gas remaining in the gas supply line.
2. Disconnect the heater from its electrical supply.
3. Remove the gauges and connecting hoses.
4. Install pressure tap plugs and tighten securely. Check for gas leaks.

FIG. 26



**EXAMPLE SHOWS PRESSURE FOR PROPANE GAS
ALWAYS REFER TO PRESSURE ON DATAPLATE**

Troubleshooting Guide

READ THIS ENTIRE SECTION BEFORE BEGINNING TO TROUBLESHOOT PROBLEMS.



WARNING

Electrical Shock and Burn Hazard

- Troubleshooting this system may require operating the unit with line voltage present and gas on. Use extreme caution when working on the heater.
- Failure to follow this warning may result in property damage, personal injury or death.

The troubleshooting flow charts on the following pages provide systematic procedures for isolating equipment problems. The charts are intended for use by a QUALIFIED GAS HEATER SERVICE PERSON. **DO NOT SERVICE THESE HEATERS UNLESS YOU HAVE BEEN PROPERLY TRAINED.**

TEST EQUIPMENT REQUIRED

The following pieces of test equipment will be required to troubleshoot this system with minimal time and effort.

- **Digital Multimeter** - for measuring AC and DC voltage and resistance.
- **Thermocouple Diagnostic Kit** - (Part No. 550-08506) When used with a standard digital multimeter, this kit allows testing of the thermocouple and electromagnetic power unit strength of the pilot safety gas control valves.
- **Low Pressure Gauge** - (Part No. 00764) for checking inlet and outlet pressures of the gas control valve against dataplate rating.

INITIAL PREPARATION

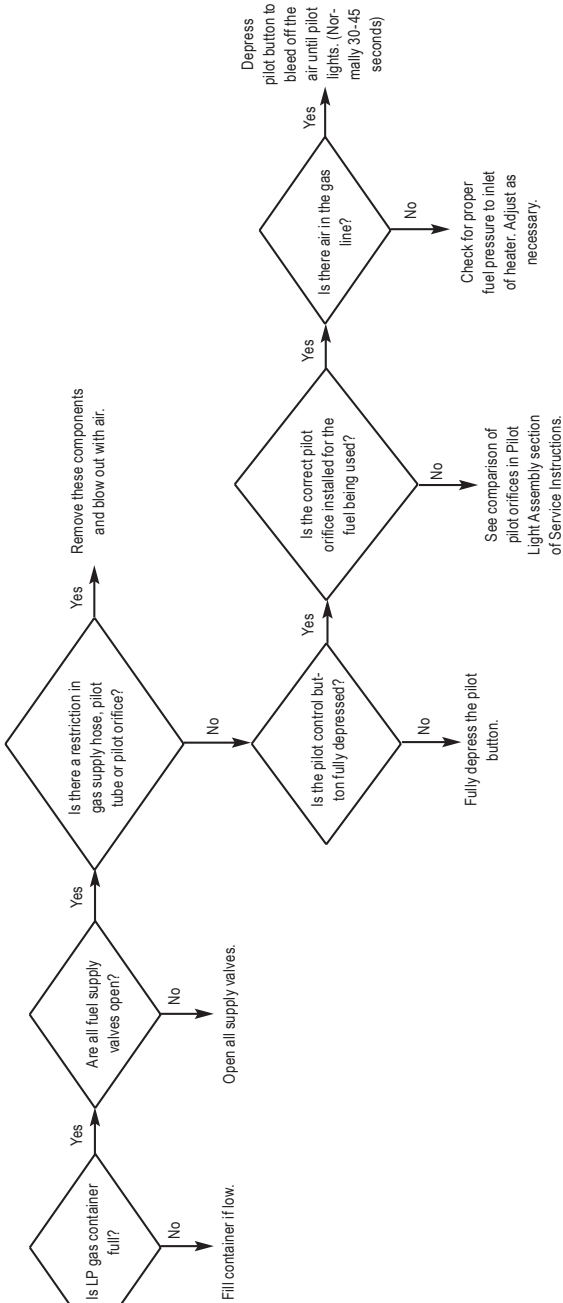
- Visually inspect equipment for apparent damage.
- Check all wiring for loose connections and worn insulation.

To effectively use the flow charts, you must first identify the problem. The problems are numbered sequentially, along with a brief explanation of each problem. Start at the "diamond" closest to the identified problem and proceed with each step, performing whatever tests are suggested. After each step or test, the guide will direct the service person to the next logical step based on the outcome of the previous check.

<u>Problem</u>	<u>Page</u>
1 Pilot will not light.....	22
2 Pilot will not stay lit when pilot control button is released.....	24
3 Motor runs. Burner does not light with pilot light lit.....	25
4 Motor does not run, heater does not light with pilot light lit.....	25
5 Pilot will not stay lit when main burner and blower are operating	25
6 High limit switch is open.....	26
7 Burner does not shut off.....	27
8 Flame lifting off of burner	27
9 Burner flame drops out after 10-15 minutes of operation	27
10 Gas control valve chatters.....	28
11 Motor hums	28

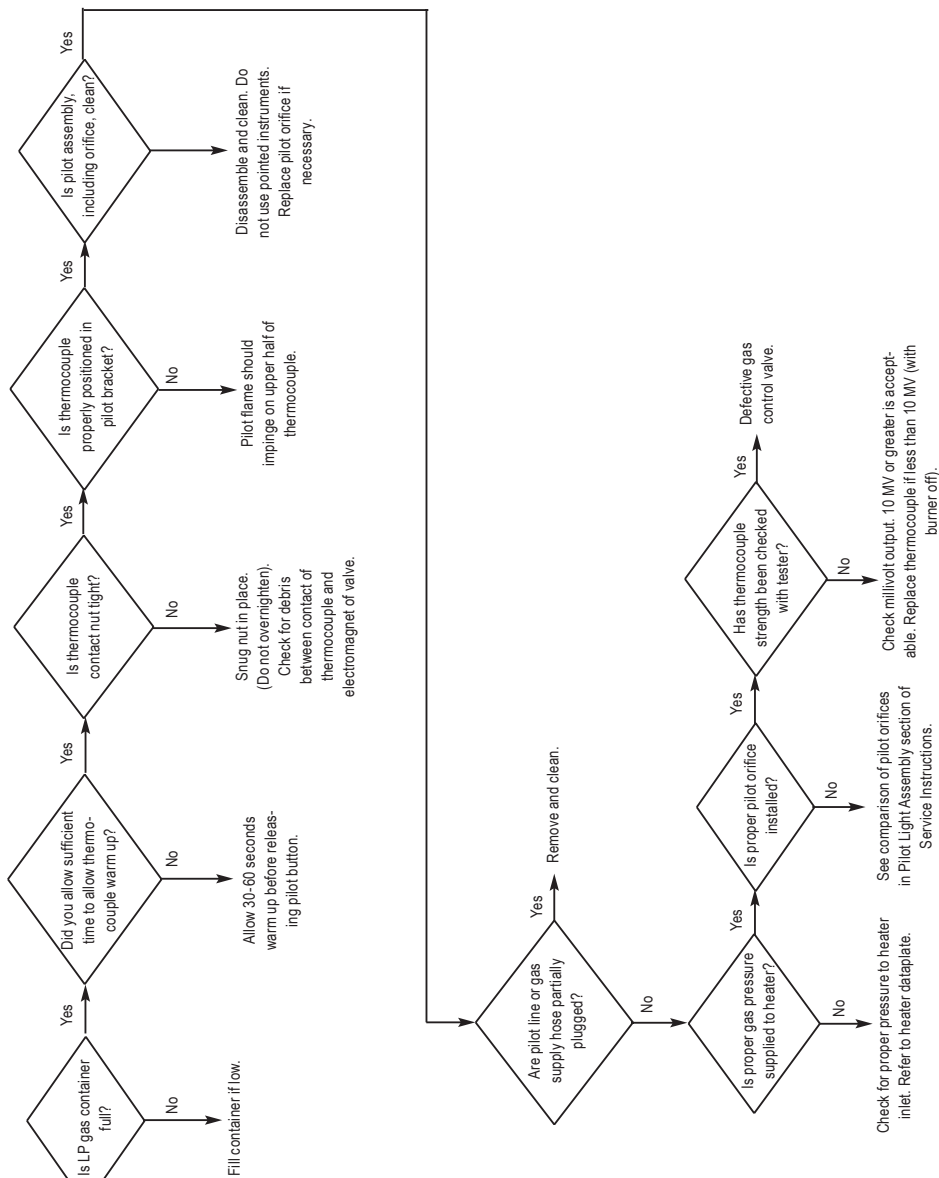
Problem 1

Pilot will not light



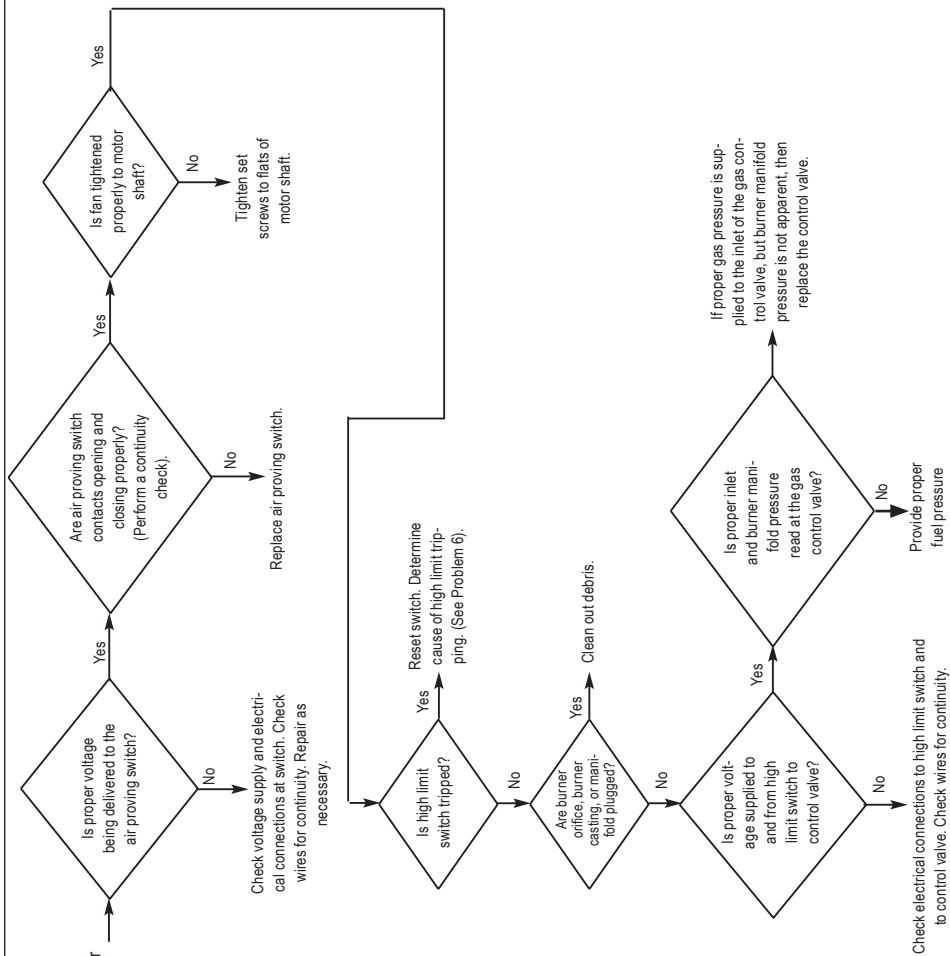
Problem 2

Pilot will not stay lit when pilot control button is released.



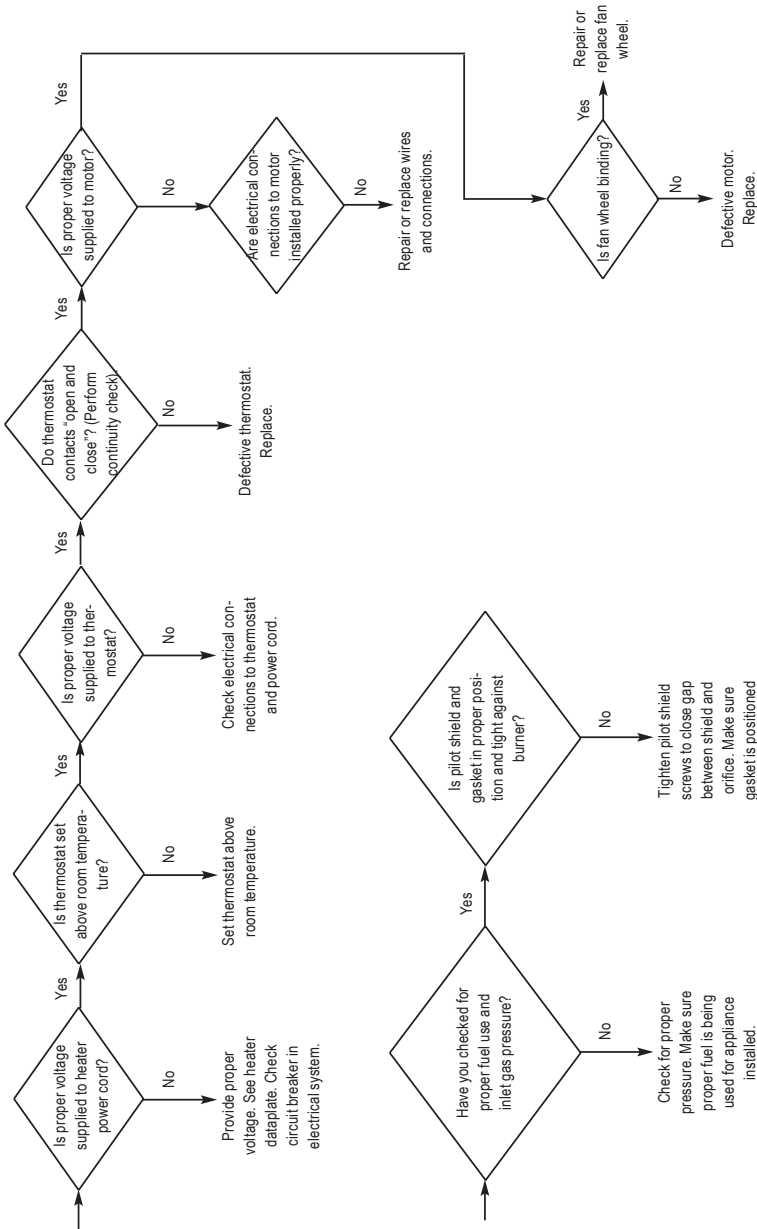
Problem 3

Motor runs. Burner does not light with pilot light lit.

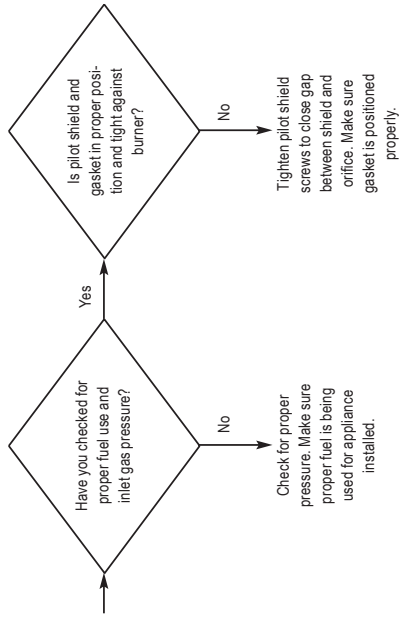


Problem 4

Motor does not run, heater does not light with pilot light lit.

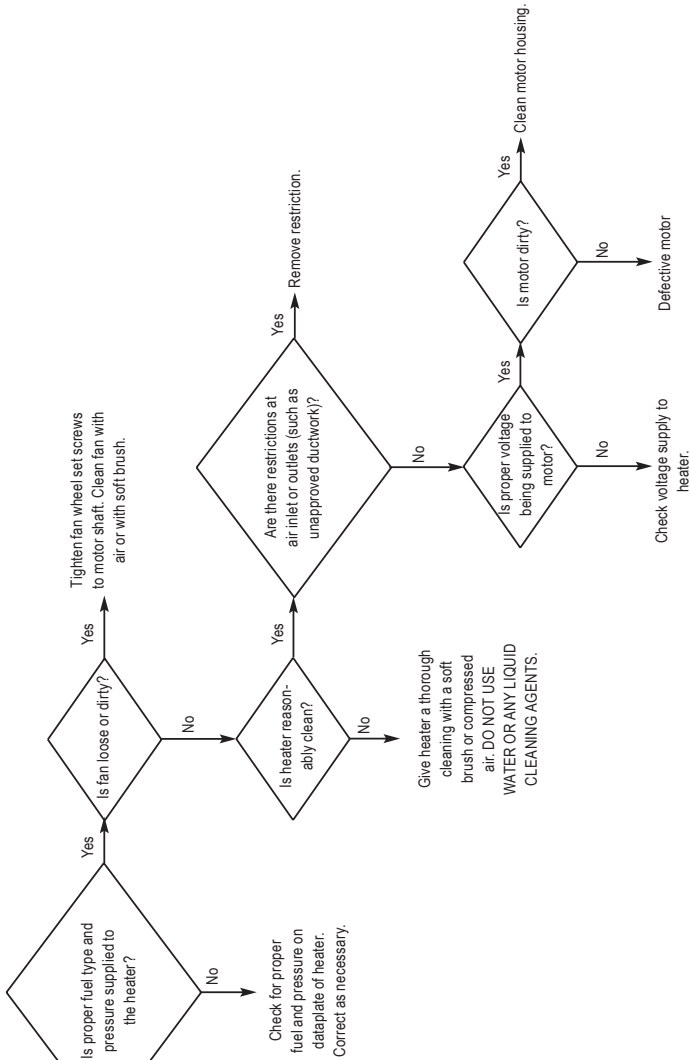
**Problem 5**

Pilot light will not stay lit when main burner and blower are operating.



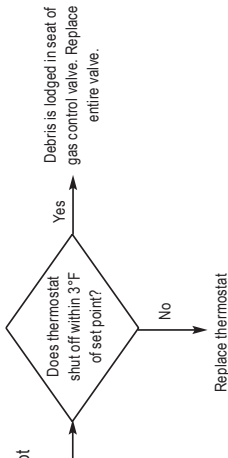
Problem 6

High limit switch is tripped (open).

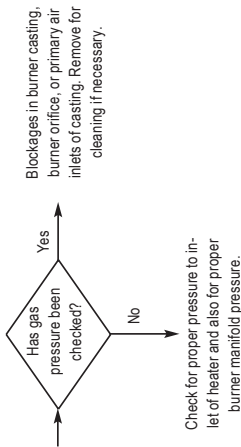


Problem 7

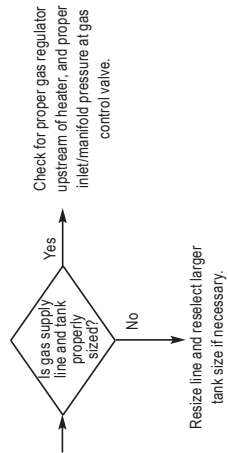
Burner does not shut off when temperature requirement is satisfied.

**Problem 8**

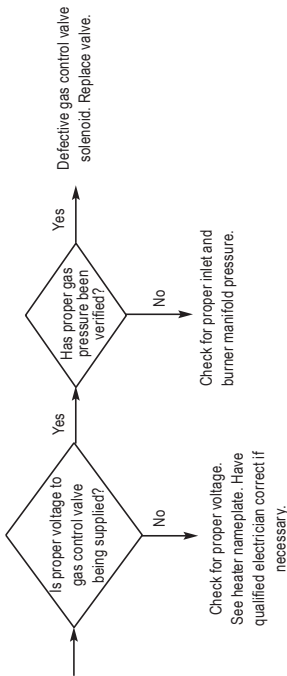
Flame lifting off of burner.

**Problem 9**

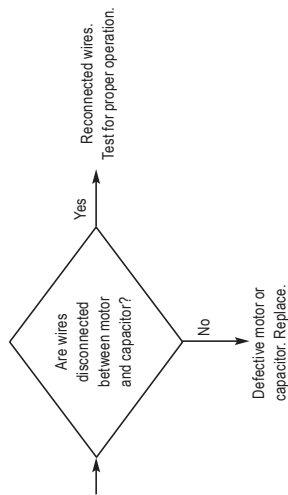
Burner flame drops out after 10-15 minutes of operation.



Problem 10
Gas control valve chatters.

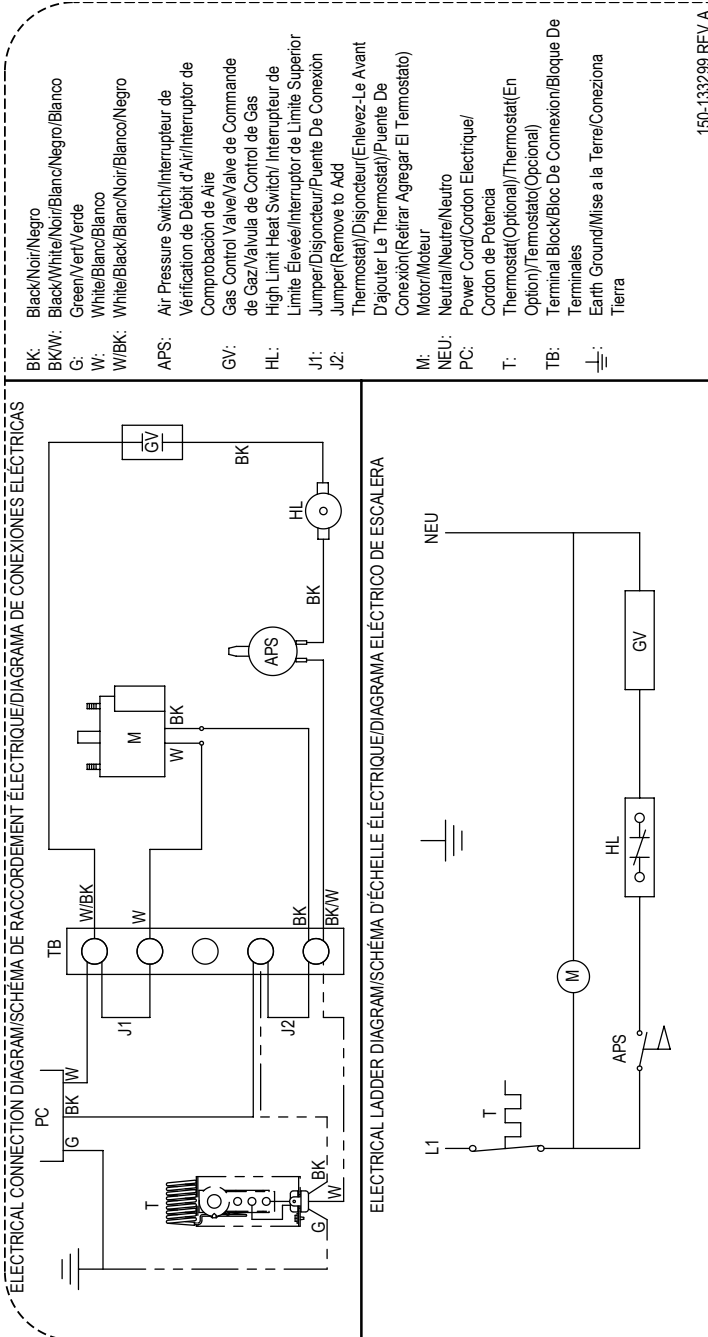


Problem 11
Motor hums



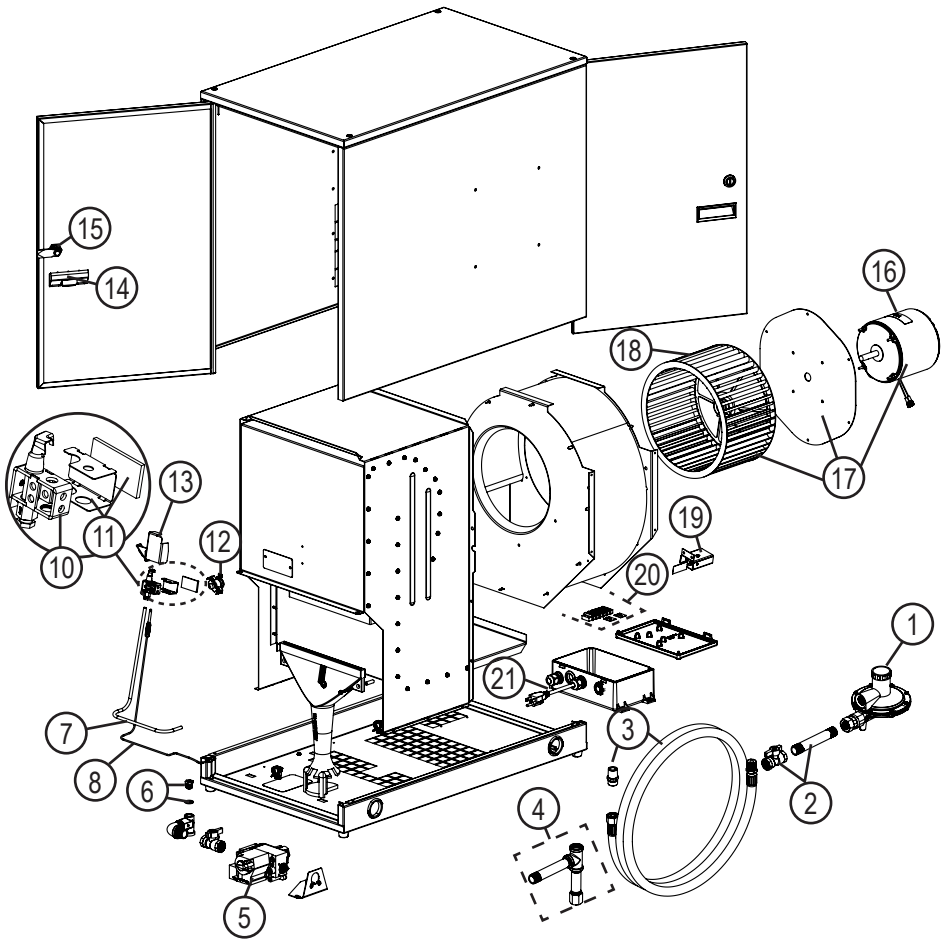
Electrical Connection & Ladder Diagram

AB250 Connection Diagram:



IF ANY OF THE ORIGINAL WIRE AS SUPPLIED WITH THE HEATER MUST BE REPLACED, IT MUST BE REPLACED WITH WIRING MATERIAL HAVING A TEMPERATURE RATING AT LEAST EQUIVALENT TO THAT INDICATED ON THE WIRE BEING REPLACED.
 SI L'UN DES FILS D'ORIGINE FOURNI AVEC L'APPAREIL DE CHAUFFAGE DOIT ÊTRE REMPLACÉ, IL DOIT ÊTRE REMPLACÉ PAR UN MATÉRIAU DE CÂBLAGE AYANT UNE TEMPÉRATURE CLASSIFICATION AU MOINS ÉQUIVALENTE À CELLE INDUITE SUR LE FIL À REMPLACER.
 SI SE DEBE REEMPLAZAR ALGUNO DE LOS CABLES ORIGINALES SUMINISTRADOS CON EL CALENTADOR, SE DEBE REEMPLAZAR CON MATERIAL DE CABLEADO QUE TENGA UNA TEMPERATURA CALIFICACIÓN AL MENOS EQUIVALENTE A LA INDICADA EN EL CABLE QUE SE REEMPLAZA.

Service Parts Identification Schematic



Parts List - AB250

Item	Description	Part Number	
1	*Regulator, LP Gas, vent over side	500-06665	
	*Regulator, LP Gas, vent over outlet	500-06553	
	*Regulator, Natural Gas	500-24414	
2	*Shut-off Valve & Nipple	500-03399	
3	*Hose, Universal, 1/2 in. x 10 ft., with adapters	500-23160	
4	Kit, Sediment Trap	500-00815	
5	Valve, Gas Control	LP	521615
		NG	521616
6	Orifice, Burner	LP	574296
		NG	574304
7	Pilot Tube w/ Nuts and Sleeves	574456	
8	Thermocouple	503497	
9	**Orifice, Pilot	LP	502689
		NG	570065
10	Pilot Assembly w/ Pilot Orifice	LP	502729
		NG	573699
11	Cover, Pilot w/Gasket	574312	
12	Switch, High Limit	573099	
13	Shield, Pilot w/ Mounting Bracket	574313	
14	Handle	574124	
15	Latch	574162	
16	Motor	520169	
17	Motor/Fan Wheel Assembly	574197	
18	Wheel, Fan	570481	
19	Switch, Air Proving	574519	
20	Terminal Strip w/ Jumpers	570491	
21	Cord, Power	520133	

* Optional Accessory

** Not Shown

Warranty Policy

HEATER

L.B. White Company, LLC warrants that the component parts of its heater are free from defects in material and workmanship, when properly installed, operated, and maintained in accordance with the Installation and Maintenance Instructions, safety guides and labels contained with each unit. If, within 12 months from the date of purchase by the end user, any component is found to be defective, L.B. White Company, LLC will at its option, repair or replace the defective part or heater, with a new part or heater, F.O.B., Onalaska, Wisconsin. Registering your product online with L.B.White will automatically qualify a unit and its component parts for warranty consideration. If a product has not been registered with L.B.White, a copy of the bill of sale will be required to establish warranty qualification. If neither is available, the warranty period will be 12 months from date of shipment from L.B. White.

PARTS

L.B. White Company, LLC warrants that replacement parts purchased from the company and used on the appropriate L.B. White equipment are free from defects both in material and workmanship for 12 months from the date of purchase by the end user. Warranty is automatic if a component is found defective within 12 months of the date code marked on the part. If the defect occurs more than 12 months later than the date code but within 12 months from the date of purchase by the end user, a copy of a bill of sale will be required to establish warranty qualification.

The warranty set forth above is the exclusive warranty provided by L.B. White, and all other warranties, including any implied warranties or merchantability or fitness for a particular purpose, are expressly disclaimed. In the event any implied warranty is not hereby effectively disclaimed due to operation of law, such implied warranty is limited in duration to the

duration of the applicable warranty stated above. The remedies set forth above are the sole and exclusive remedies available hereunder. L.B. White will not be liable for any incidental or consequential damages directly or indirectly related to the sale, handling or use of the equipment, and in any event L.B. White's liability in connection with the equipment, including for claims based on negligence or strict liability, is limited to the purchase price.

Some states do not allow limitations on how long an implied warranty lasts, so the above limitation may not apply to you. Some states do not allow the exclusion or limitation of incidental or consequential damages, so the above limitation or exclusion may not apply to you. This warranty gives you specific legal rights, and you may also have other rights which vary from state to state.

To register your product and ensure full warranty, go to http://www.lbwhite.com/customer_care_center/product-registration/. Please have the serial number(s) and model(s) handy for the products you are registering.

Service

Contact your local L.B. White dealer for replacement parts and service. You may also call the L.B. White Company, LLC at 1-800-345-7200, for assistance, or email us at customerservice@lbwhite.com.

Be sure that you have your heater model number and configuration number when calling.



WORLD PROVIDER - INNOVATIVE CLIMATE SOLUTIONS

411 Mason Street, Onalaska, WI 54650

800-345-7200 • 608-783-5691

608-783-6115 (fax)

www.lbwhite.com



Guardian 2.0 Calentador de aire forzado piloto

AB250 250.000 Btu/h
Recuperación del vapor de
PL o gas natural

Para ver este manual en línea, visite www.lbwhite.com

Atención

Este calefactor ha sido probado y evaluado por C.S.A. Group según ANSI/IAS U.S. LC2-1998 y según la Norma de la Asociación de Gas de Canadá para Incubadoras a Gas, CAN1-2.20-M85, y está clasificado y aprobado como calefactor circulante de gas directo para la calefacción de edificios agrícolas donde se confinan animales. Si considera usar este producto para cualquier aplicación no contemplada en sus usos previstos, por favor contáctese con su proveedor de gas combustible o con L.B. White Company, LLC

www.lbwhite.com



¡Felicitaciones!

Acaba de comprar el mejor calefactor circulante disponible. Su nuevo calefactor L.B. White incorpora los beneficios del más experimentado fabricante de productos de calefacción con tecnología de avanzada.

En L.B. White, le agradecemos la confianza depositada en nuestros productos y serán bien recibidos los comentarios y las sugerencias que pueda tener. Llámenos a nuestra línea gratuita al 1-800-345-7200.

AVISO

Las instrucciones de instalación aquí contenidas son las de L.B. White Co. LLC sugirió recomendaciones y pautas para la instalación temporal o permanente de L.B. Calefactores White Co. LLC. Los requisitos de los códigos eléctricos y de seguridad locales, estatales y estatales reemplazan estas pautas. En ausencia de códigos locales, consulte la página 7 para la instalación en EE. UU. o Canadá.

CONSULTE LAS
INSTRUCCIONES
DE ARMADO
EN EL INTERIOR

Consulte la información
importante sobre elevación en
la portada interna.



ESCANEE ESTE CÓDIGO
con su teléfono inteligente o visite
<http://goo.gl/nksqz> para ver videos
de mantenimiento de los calefactores
L.B. White.*

* Necesita una aplicación como QR
Droid para Android o para iPhone

PROVEEDOR MUNDIAL - SOLUCIONES INNOVADORAS DE CALEFACCIÓN

411 Mason Street, Onalaska, WI 54650 • 800-345-7200 • 608-783-5691 • 608-783-6115 (fax) • www.lbwhite.com

ÍNDICE

Especificaciones del calefactor	4
Información general.....	5
Precauciones de seguridad	8
Instrucciones generales de instalación.....	13
Instrucciones de puesta en marcha / apagado.....	14
Instrucciones de limpieza	15
Instrucciones de mantenimiento.....	15
Instrucciones de servicio	15
Resolución de problemas.....	22
Diagrama de conexión eléctrica y escalera.....	30
Esquema de identificación de piezas de servicio y lista de piezas	31
Política de garantía.....	33



ADVERTENCIA

Los productos se fabrican para operar a una eficiencia óptima a elevaciones de entre 0 y 2000 pies por encima del nivel del mar.

Si se opera a elevaciones mayores, el producto no funcionará correctamente y puede resultar inseguro.

Es posible que haya productos que aseguran una operación adecuada en elevaciones alternativas.

Si requiere un producto para altas elevaciones, no lo especificó al pedirlo o la caja que vino con esta unidad no tiene una etiqueta adhesiva de designación de altitud alternativa, comuníquese con el servicio técnico.

**ADVERTENCIA GENERAL**

Si no se contemplan las precauciones e instrucciones suministradas con este calefactor, se puede provocar:

- La muerte
- Quemaduras o lesiones graves
- Daños o pérdidas materiales por incendio o explosión
- Asfixia debido a la falta de un adecuado suministro de aire o envenenamiento por monóxido de carbono
- Descarga eléctrica
 - Lea detenidamente este manual del usuario antes de instalar o de usar este calefactor.
 - Solo deben reparar o instalar este calefactor personas de mantenimiento con la capacitación adecuada.
 - Guarde este manual del usuario para consultar y usar en el futuro.
 - Los manuales del usuario y las etiquetas de repuesto están disponibles sin costo. Para recibir ayuda, contáctese con L.B. White al 800-345-7200.

**ADVERTENCIA**

- Deberá proveerse una presión de suministro de gas apropiada a la entrada del calefactor.
- Consulte la placa de datos para obtener información sobre la presión de suministro de gas adecuada.
- La presión de gas que supere la presión de entrada máxima especificada en la entrada del calefactor puede provocar incendios o explosiones.
- Los incendios o las explosiones pueden causar lesiones graves, la muerte o daños al edificio.
- La presión de gas por debajo de la presión de entrada mínima especificada en la entrada del calefactor puede ocasionar una combustión inadecuada.
- Una combustión inadecuada puede causar asfixia o envenenamiento por monóxido de carbono, y así ocasionar lesiones graves o la muerte.

**ADVERTENCIA****Peligro de incendio y explosión**

- Mantenga los combustibles sólidos a una distancia segura del calefactor.
- Los combustibles sólidos incluyen productos de madera o de papel, plumas de aves, paja, y polvo.
- No use el calefactor en un espacio que contenga o que pueda contener combustibles volátiles o transportados por el aire como gasolina, solventes, diluyentes de pintura, partículas de polvo o químicos desconocidos.
- La producción porcina y su mantenimiento, limpieza u otras prácticas de manejo pueden resultar en la acumulación de metano u otros gases explosivos o peligrosos dentro de la estructura.
- Asegúrese de que la estructura este adecuadamente ventilada para eliminar el metano u otros gases explosivos o peligrosos que puedan haberse acumulado antes de poner en funcionamiento el calefactor.
- No seguir estas instrucciones puede provocar un incendio o una explosión.
- Los incendios o las explosiones pueden producir daños materiales, lesiones o la muerte.

**ADVERTENCIA**
Peligro de incendio y explosión

- No lo use en una casa o en vehículos recreativos.
- La instalación de este calefactor en una casa o en un vehículo recreativo puede resultar en un incendio o una explosión.
- Los incendios o explosiones pueden ocasionar daños materiales o la muerte.

PARA SU SEGURIDAD

No almacene ni use gasolina u otros vapores y líquidos inflamables cerca de este o de cualquier otro artefacto.

PARA SU SEGURIDAD

Si siente olor a gas:

1. Abra las ventanas.
2. No toque los interruptores eléctricos.
3. Apague toda llama al descubierto.
4. Llame inmediatamente a su proveedor de gas.

**ADVERTENCIA**

Cáncer y daño reproductivo.
Ver www.P65Warnings.ca.gov.

Especificaciones

		AB250	
		Gas PL	Gas natural
Entrada máxima (btu/h)		250.000	
Entrada mínima (btu/h)		160.000	
Aire de ventilación requerido para mantener la combustión (cfm)		1.050	
Presión de suministro de gas de entrada aceptable en la entrada del calefactor para el propósito de ajuste de entrada (pulg. de columna de agua)	Máx.	13,5	
	Mín.	11,5	7
Presión del colector del quemador (pulg. de columna de agua)		10	4
Consumo de combustible por hora	Máx.	11,57 libras	250 pies cúbicos.
	Mín.	7,41 libras	160 pies cúbicos.
Características del motor		Rodamiento	
		1/3 H.P. 1100 RPM	
Suministro eléctrico (Voltios/HZ/fase)		120/60/1	
Amperaje	De inicio	7,3	
	Operación continua	4,5	
Dimensiones (pulgadas) L x Anch. x Alt.		30 5/8 x 18 x 28	
Peso, solo calentador (libra)		105	
Distancias seguras mínimas del calefactor a los materiales combustibles más cercanos	Parte superior	1 pie (0,3 m)	
	Laterales	1 pie (0,3 m)	
	Parte inferior	1 pie (0,3 m)	
	Salida del soplador	6 pies (1,83 m)	
	Suministro de gas	Suministro de gas PL - 6 pies (1.83 m) Suministro de gas natural - N/A	

Información general

Este manual del usuario incluye los accesorios que se utilizan regularmente en este calefactor. Estos accesorios se deben pedir por separado. Cuando llame para solicitar asistencia técnica, o para obtener cualquier otra información específica, **siempre** tenga disponible el número de modelo, el número de la configuración y el número de serie. Esta información se encuentra en la placa de datos.

Este manual le brindará instrucciones sobre el funcionamiento y el cuidado de su unidad. Pida a su instalador que revise con usted este manual para que usted pueda entender perfectamente el calefactor y su funcionamiento.

Póngase en contacto con su distribuidor de L.B. White local o con L.B. White Company, LLC. para obtener ayuda, o si tiene preguntas sobre el uso del equipo o sobre su aplicación.

L.B. White Company, LLC tiene una política de mejoramiento continuo del producto. Se reserva el derecho de cambiar especificaciones y diseño sin previo aviso.

Precauciones de seguridad



ADVERTENCIA

Peligro de asfixia

- No use este calefactor para calefaccionar lugares donde vivan seres humanos.
- No lo use en áreas sin ventilación.
- El flujo de aire de ventilación y combustión no debe obstruirse.
- Se deberá proveer aire de ventilación apropiado para mantener los requisitos de aire de combustión del calefactor que se está usando.
- Consulte la sección de especificaciones del manual del usuario y la placa de datos del calefactor, o comuníquese con LB White Company para determinar los requisitos de ventilación del aire de combustión del calefactor.
- La falta de una cantidad de aire de ventilación apropiada resultará en combustión inadecuada.
- La combustión inadecuada puede resultar en envenenamiento por monóxido de carbono en seres humanos y producir lesiones graves o la muerte. Los síntomas del envenenamiento por monóxido de carbono pueden incluir dolores de cabeza, mareos y dificultad para respirar.
- Los síntomas de la combustión inadecuada que afectan al ganado pueden ser enfermedades, menor índice de transformación de los alimentos o la muerte.

Olor a gas combustible

Al gas propano y al gas natural se les ha agregado odorantes artificiales específicamente para la detección de fugas de gas combustible.

Si se produce una pérdida de gas, debería ser capaz de oler el gas combustible.

¡ESA ES LA SEÑAL PARA ACTUAR DE INMEDIATO!

- No haga nada que pueda encender el gas combustible. No mueva ningún interruptor eléctrico. No desenchufe ningún cable de corriente ni alargue. No encienda fósforos ni ninguna otra fuente de fuego. No use su teléfono.
- Haga que todos salgan del edificio y que se alejen del área inmediatamente.
- Cierre todas las válvulas de suministro de combustible.
- El gas propano es más pesado que el aire y podría depositarse en áreas bajas. Cuando usted tenga razón para sospechar que existe una fuga de gas propano, manténgase alejado de todas las áreas bajas.
- Use el teléfono de su vecino, y llame a su proveedor de gas combustible y a su departamento de bomberos. No vuelva a entrar al edificio o al área.
- Permanezca fuera del edificio y alejado del área hasta que la misma haya sido declarada segura por los bomberos y por su proveedor de gas combustible.
- FINALMENTE, deje que el técnico de mantenimiento experto en gas combustible y los bomberos revisen para identificar la pérdida de gas. Haga que ellos ventilen el edificio y el área antes de que usted vuelva a entrar. Técnicos de mantenimiento adecuadamente capacitados deben reparar la fuga, revisar para detectar otras fugas, y volver a encender el calefactor por usted.

El olor se disipa - No se detecta olor

- Algunas personas no pueden oler bien. Algunas personas no pueden percibir el olor del químico artificial agregado al gas propano o natural. Usted debe determinar si es capaz de sentir el odorante que se agrega a estos gases combustibles.
- Aprenda a reconocer el olor del gas propano y del gas natural. Los vendedores locales de gas propano y su proveedor local de gas natural (empresa de servicio público) estarán más que contentos de proporcionarle un folleto del tipo "raspe y huele". Úselo para familiarizarse con el olor del gas combustible.
- Fumar puede disminuir su capacidad para oler. Estar en contacto con un olor durante un cierto tiempo también podría afectar su sensibilidad a ese olor en particular. Los olores presentes en edificios donde se encuentran confinados animales podrían disfrazar el olor del gas combustible.
- El odorante existente en el gas propano y el gas natural es incoloro y la intensidad de ese olor puede disiparse bajo algunas circunstancias.
- Si hay una fuga subterránea, el paso del gas a través del suelo puede filtrar el odorante.
- El olor del gas propano puede diferir en intensidad en distintos niveles. Dado que el gas propano es más pesado que el aire, podría haber más olor en niveles más bajos.
- Siempre tome en serio la más mínima presencia de olor a gas. Si aún detecta algún tipo de olor a gas, no importa lo poco que sea, trátelo como si fuera una fuga seria. Actúe de inmediato tal como se explicó anteriormente.

¡Atención - Puntos importantes para recordar!

- El gas propano y el gas natural tienen un olor característico. Aprenda a reconocer estos olores. (Consulte las secciones previas: "Olor a gas combustible" y "El olor se disipa").
 - Si usted no ha sido capacitado apropiadamente en la reparación y el mantenimiento de calefactores que emplean gas propano y gas natural, entonces no intente encender el calefactor, realizar mantenimiento o reparaciones, o hacer ajustes al sistema de combustible del calefactor a gas propano o a gas natural.
 - Aunque usted no esté adecuadamente capacitado para el mantenimiento y la reparación de calefactores radiantes, SIEMPRE esté bien consciente del olor del gas propano y del gas natural.
 - Una prueba de detección activa alrededor del calefactor o en las juntas de este, es decir manguera, conexiones, etc., es una buena práctica de seguridad. Si huele aunque sea una cantidad muy pequeña de gas, LLAME INMEDIATAMENTE A SU PROVEEDOR DE GAS COMBUSTIBLE. ¡NO ESPERE!
1. No intente instalar, reparar o arreglar este calefactor o la línea de suministro de gas a menos que haya tenido una capacitación continua por expertos y tenga conocimientos sobre calefactores a gas.

REQUISITOS PARA REALIZAR MANTENIMIENTO E INSTALACIÓN:

- a. Para ser una persona calificada en mantenimiento de calefactores a gas, debe estar capacitado en reparaciones y mantenimiento de calefactores a gas y también tener suficiente experiencia que le permita localizar problemas, reemplazar piezas defectuosas y probar calefactores a fin de mantenerlos en condiciones de funcionamiento normales y seguros. Debe familiarizarse completamente con cada modelo de calefactor mediante la lectura y el cumplimiento de instrucciones de seguridad, etiquetas, manual del usuario, etc. que se proveen con cada calefactor.
 - b. Para ser una persona calificada para hacer instalaciones de gas, usted debe tener suficiente capacitación y experiencia para manejar todos los aspectos de la instalación, reparación y modificación de líneas de gas, incluidas la selección e instalación del equipo apropiado, y la selección del tamaño adecuado de tubería que se utilizará. Esto debe realizarse conforme a los códigos locales, estatales y nacionales, además de los requisitos del fabricante.
2. Todas las instalaciones o aplicaciones de los calefactores de L.B. White Co., Inc. deben cumplir con todos los requisitos de los códigos locales, estatales y nacionales de electricidad, de gas natural y gas PL, y de seguridad. Su proveedor local de gas, un electricista autorizado local, el departamento de bomberos local y organismos del gobierno, pueden ayudarlo a determinar estos requisitos. En ausencia de códigos locales, cumpla con los siguientes:
 - a. Instalaciones en los Estados Unidos:
 - ANSI/NFPA 58, última edición, Norma para el almacenamiento y manipulación de gases licuados de petróleo y/o
 - ANSI Z223.1/NFPA 54, Código nacional de gas combustible
 - ANSI/NFPA 70, Código nacional de electricidad.
 - b. Instalaciones en Canadá:
 - Códigos de instalación CAN1-B149.1 o CAN1-B149.2
 - CSA C22.1, Parte 1, Código de electricidad de Canadá estándar. CSA C22.2 N.º 3, Características eléctricas de los equipos con quema de combustible.
 3. No mueva, manipule o repare el calefactor mientras esté funcionando o conectado al suministro eléctrico o de combustible.
 4. Este calefactor se puede instalar en áreas sujetas a lavado. Este calefactor se puede lavar solamente en el conjunto de la caja externa; consulte las instrucciones de limpieza. No lave el interior del calefactor. Use solamente aire comprimido, un cepillo suave o un paño seco para limpiar el interior del calefactor y sus componentes. Después del lavado externo, no haga funcionar el calefactor hasta que esté completamente seco. En cualquier caso, espere por lo menos una hora después del lavado externo para hacer funcionar el calefactor.

5. Por motivos de seguridad, este calefactor está equipado con un interruptor de límite superior de reposición manual y un interruptor de comprobación de aire. Nunca haga funcionar el calefactor con algún dispositivo de seguridad desactivado. No haga funcionar el calefactor a menos que estas características estén en pleno funcionamiento.
6. No haga funcionar el calefactor con la puerta abierta o sin el panel colocado.
7. No ubique contenedores de gas combustible ni mangueras de suministro de combustible dentro de un radio de 20 pies de la salida del soplador del calefactor.
8. No bloquee las entradas de aire ni las salidas de descarga del calefactor. Hacerlo podría ocasionar una combustión inadecuada o daños a los componentes del calefactor, lo que provocaría daños materiales o pérdida de animales.
9. Debe revisarse visualmente el conjunto de la manguera con frecuencia anual. Si es evidente una abrasión o desgaste excesivo, o si la manguera está cortada, debe reemplazarse antes de que se ponga el calefactor a funcionar. El conjunto de la manguera debe protegerse de los animales, materiales del edificio y el contacto con superficies calientes durante el uso. La manguera debe ser la que especifique el fabricante. Ver la lista de piezas.
10. Verifique fugas de gas y el funcionamiento adecuado tras la instalación, antes de la repoblación del edificio y cuando se realice la reubicación.
11. Este calefactor debe ser inspeccionado por una persona calificada en mantenimiento para determinar que su funcionamiento es correcto antes de la repoblación del edificio y por lo menos con frecuencia anual.
12. Siempre apague el suministro de gas al calefactor si no se utilizará para la calefacción de ganado.
13. Este calefactor está equipado con un enchufe de tres clavijas (de conexión a tierra) para brindar protección contra el riesgo de descarga eléctrica, y se debe conectar directamente a un tomacorrientes de tres clavijas con conexión a tierra apropiada. Si no se usa un receptáculo eléctrico conectado a tierra adecuadamente, se podría causar una descarga eléctrica, lesiones o la muerte.
14. En una instalación de tipo colgante, los tubos rígidos o de cobre conectados directamente al calefactor pueden ocasionar fugas de gas

durante el movimiento. Por lo tanto, no se deben utilizar. Utilice exclusivamente conjuntos de manguera de gas que estén clasificados y aprobados para gas PL y gas natural en una instalación de tipo colgante.

15. Las instalaciones que no utilicen la manguera de gas suministrada con este artefacto se deben conectar dimensionalmente según la Norma nacional estadounidense sobre tuberías de hierro y acero forjado B36/10-1970. (No se deben utilizar tubos de aluminio). Cuando se usen tubos de cobre para transportar gas natural, se deben estañar internamente o bien deben recibir un tratamiento equivalente para resistir el azufre.

Instrucciones generales de instalación



ADVERTENCIA

Peligro de incendio o explosión.

Puede causar daños materiales, lesiones graves o la muerte.

1. Desconecte el suministro de energía antes del cableado para prevenir una descarga eléctrica o daños al equipo.
2. A fin de evitar la acumulación peligrosa de gas combustible, apague el suministro de gas en la válvula de servicio del artefacto antes de comenzar la instalación y lleve a cabo una prueba de fugas de gas después de realizada la instalación.
3. No fuerce la perilla de control de gas. Use solamente la mano para girar esta perilla. Nunca use herramientas. Si la perilla no funciona manualmente, el control debe ser reemplazado por un técnico de servicio calificado. El uso de fuerza o un intento de reparación puede provocar un incendio o una explosión.

1. Lea todas las precauciones de seguridad y siga las recomendaciones de L.B. White cuando instale este calefactor. Si durante la instalación o la reubicación del calefactor sospecha que una pieza está dañada o defectuosa, llame a un taller de mantenimiento calificado para que la repare o reemplace.
2. Asegúrese de que el calefactor esté correctamente posicionado antes del uso y de que esté colgado a nivel. Respete todas las distancias seguras mínimas del calefactor a los materiales combustibles más cercanos. Las distancias seguras mínimas se indican en la placa de datos del calefactor y en la página 4 del presente manual.
3. El calefactor está aprobado para uso en interiores solamente.
4. El calefactor debe tener instalado el regulador de gas apropiado para la aplicación. Se debe conectar un regulador al suministro de gas de modo que la presión de gas en la entrada a la válvula de gas esté regulada dentro del rango especificado en la placa de datos en todo momento. Comuníquese con su proveedor de gas o con L.B. White Co., Inc. si tiene alguna pregunta.
5. El regulador de gas de la unidad (con la válvula de descarga de presión) debe instalarse fuera del edificio. Todo regulador que se encuentre dentro del edificio debe ventilarse adecuadamente al exterior. Siempre se aplican los códigos locales, estatales y nacionales a la instalación del regulador. Los reguladores de gas natural con dispositivo de limitación de ventilación pueden montarse en interiores sin ventilación al exterior.
6. Todos los reguladores de la presión de gas se deben instalar en estricto cumplimiento de las instrucciones de seguridad del fabricante. Estas instrucciones se incluyen con cada regulador.
7. Asegúrese de que todos los accesorios que se envíen con el calefactor se hayan extraído del interior del calefactor e instalado. Esto se aplica a los desviadores del aire, la manguera, los reguladores, etc.
8. Asegúrese de instalar un colector de sedimentos en la entrada de la válvula de gas para impedir el ingreso en la válvula de gas de materiales extraños (compuesto de tubería, virutas e incrustaciones). Si ingresan residuos en la válvula de gas, se puede producir una falla en la válvula que ocasione una pérdida de gas importante, que a su vez podría ocasionar un incendio o explosión, con la consiguiente pérdida de productos, pérdidas materiales e incluso

la muerte. Un colector de sedimentos correctamente instalado impedirá el ingreso de materiales extraños en la válvula de gas y protegerá el buen funcionamiento de ese importante componente de seguridad.

9. Cualquier calefactor conectado a un sistema de tubería debe tener una válvula de cierre manual aprobada y accesible a una distancia máxima de 6 pies del calefactor.
10. Verifique todas las conexiones en busca de fugas de gas mediante detectores de fugas de gas aprobados. La prueba de fugas de gas se realiza de la siguiente manera:
 - Compruebe todas las conexiones de tuberías, conexiones de manguera, conectores y adaptadores contracorriente del control de gas con detectores de fugas de gas aprobados.



ADVERTENCIA

Peligro de incendio y explosión

- No utilice llama al descubierto (fósforos, sopletes, velas, etc.) para comprobar si hay fugas de gas.
- Use únicamente detectores de fugas de gas aprobados.
- No seguir esta advertencia puede provocar incendios o explosiones.
- Los incendios o las explosiones pueden producir daños materiales, lesiones o la muerte.

- En caso de que se detecte una fuga de gas, verifique el estado de limpieza de los componentes involucrados y la aplicación adecuada del compuesto de tubería antes de ajustar más.
- Además, ajuste las conexiones de gas según sea necesario para detener la fuga.
- Luego de verificar todas las conexiones y detener las fugas, encienda el quemador principal.
- Manténgase lejos mientras se enciende el quemador principal para evitar lesiones causadas por fugas escondidas que podrían provocar reignición.
- Con el quemador principal funcionando, verifique todas las conexiones, conexiones de mangueras, conectores y juntas además de la entrada de la válvula de control de gas y las conexiones de salida con detectores de fugas de gas aprobados.
- En caso de que se detecte una fuga de gas, verifique el estado de limpieza de las rosas de los componentes involucrados y la aplicación

adecuada del compuesto de tubería antes de ajustar más.

- Ajuste la conexión de gas según sea necesario para detener la fuga.
- Si fuera necesario, reemplace las piezas o componentes pertinentes si no puede detenerse la fuga.
- Asegúrese de que todas las fugas sean identificadas y reparadas antes de proceder.

11. Luego de instalado el calefactor, un taller de mantenimiento calificado debe verificar que se opere con la presión de gas adecuada.

12. Encienda según las instrucciones que se encuentran en el calefactor o en el manual del usuario.

13. Es muy importante que se use la línea de suministro de gas del tamaño y del tipo adecuados para garantizar el funcionamiento correcto del calefactor. Comuníquese con su proveedor de gas combustible para determinar el tamaño adecuado de la línea y su correcta instalación.

14. Este calefactor se puede configurar para usar con recuperación del vapor de gas PL o gas natural. Consulte la configuración de gas del calefactor específico en la placa de datos, que se encuentra en el interior de la puerta del extremo del quemador o del extremo del motor. No use este calefactor en un sistema o aplicación de recuperación de líquido de gas PL. En caso de duda, comuníquese con L.B. White Co., Inc.

15. Eventualmente, como ocurre con todos los dispositivos eléctricos/mecánicos, el termostato puede fallar. La falla del termostato puede ocasionar una condición de calentamiento insuficiente o recalentamiento que puede dañar productos críticos y/u ocasionar lesiones a los animales o su muerte. Los animales y/o productos críticos deben estar protegidos por un sistema de control de respaldo que limite las temperaturas altas y bajas y también active las alarmas adecuadas.

16. Tómese el tiempo para aprender a operar y mantener el calefactor con el manual del usuario. Asegúrese de que conoce cómo cerrar el suministro de gas al edificio y también al calefactor individual. Contáctese con su proveedor de gas combustible si tiene alguna duda.

17. Cualquier defecto que halle en la realización de alguno de los procedimientos de mantenimiento debe eliminarse y las partes defectuosas deben

reemplazarse de inmediato. El calefactor debe ser probado nuevamente por personal de servicio calificado antes de volver a ponerlo en uso.

18. No supere el valor de entrada estampado en la placa de datos del calefactor. No supere la presión del colector del quemador indicada en la placa de datos. No use un tamaño de orificio distinto del que se indica para el valor de entrada específico de este calefactor, la configuración de tipo de combustible y la altitud.

Instrucciones de instalación de los desviadores del aire

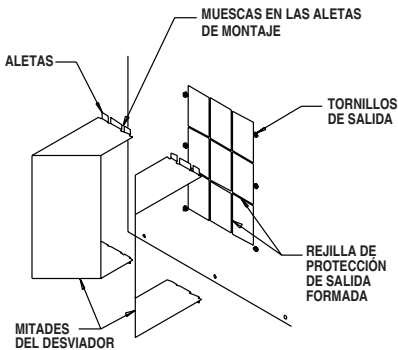
(Se deben pedir por separado)

(El aspecto de la salida en el calefactor puede variar según el modelo).

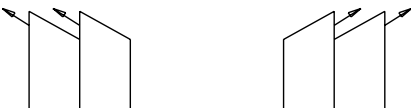
1. Se pueden instalar desviadores del aire en la salida del calefactor para manipular la dirección del aire calentado al salir del calefactor. Las opciones de instalación incluyen instalar los desviadores de modo tal de distribuir el aire de manera amplia en dos trayectorias de 45 grados o enfocar el flujo de aire en una sola dirección de 45 grados. Ver Fig. 1.
2. Los desviadores del aire pueden requerir formado manual antes de la instalación. Forme dobleces de 90 grados utilizando las perforaciones suministradas. Los desviadores deberían adquirir la forma que se muestra en la Fig. 1.
3. Las aletas de los desviadores del aire que se encuentran en cada mitad ingresarán en la salida del soplador entre el interior del conjunto de la caja y la salida del recinto del soplador. Si las aletas ranuradas no ingresan en la salida del soplador, afloje (no extraiga) los tornillos de la salida del soplador. Al hacer esto, se proporciona una separación en la cual se pueden insertar las aletas. Vuelva a ajustar los tornillos después de la instalación.

FIG. 1

(Instalación típica que permite dos direcciones de movimiento del aire).



Instalaciones alternativas de los desviadores del aire

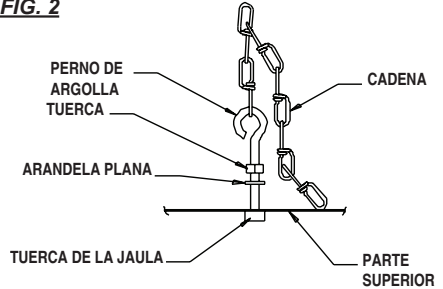


Kit para colgar

(Se deben pedir por separado)

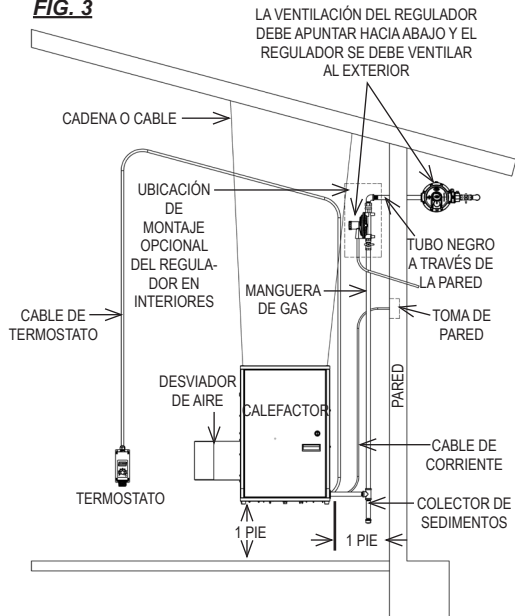
1. Arme los pernos de argolla y la cadena según la Fig.
2. Ajuste bien la ferretería.

FIG. 2



2. Asegúrese de que el calefactor esté bien ajustado y colgado a nivel. (Verifique a lo ancho y a lo largo).
3. La Fig. 3 muestra una instalación típica en interiores. En cualquier edificio en el que se confinen animales, se debe asegurar que el calefactor esté alojado del ganado, a fin de evitar que el ganado lo golpee, lo arranque de su montaje, o dañe el calefactor o su línea de suministro de gas de cualquier manera. Asegúrese de respetar las distancias mínimas a los materiales combustibles que se indican en la sección de especificaciones del presente manual y en el calefactor mismo.

FIG. 3

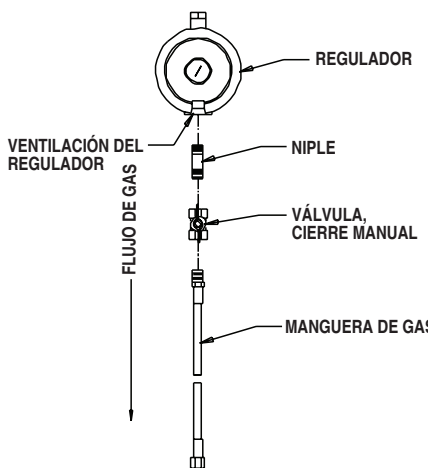


Conjunto de válvula de cierre manual, manguera y regulador

(Se debe pedir por separado)

1. Siempre use un compuesto para roscas de tubería aprobado que sea adecuado para el uso con gas PL o gas natural en las conexiones roscadas.
2. Arme los componentes según la Fig. 4. Esta vista muestra solamente el armado general de los componentes. El regulador siempre se debe montar de modo que su ventilación siempre apunte hacia abajo, independientemente de la ubicación en el regulador.
3. Ajuste bien todas las conexiones.
4. **Verifique todas las conexiones en busca de fugas de gas mediante detectores de fugas de gas aprobados.**

FIG. 4



Instalación del termostato

(Se deben pedir por separado)

⚠ ADVERTENCIA

Peligro de descarga eléctrica

- Desconecte el suministro eléctrico antes de conectar el termostato al calefactor.
- No tener en cuenta esta advertencia podría causar una descarga eléctrica que provoque lesiones o la muerte.

1. Para conectar el kit de termostato (500-09454) con tapon en serie:

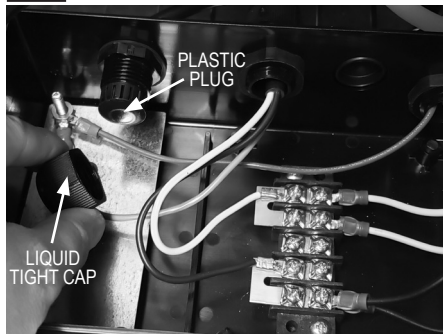
- a. Conecte el cable de corriente del calefactor al lado hembra del enchufe en el extremo del cable de termostato del kit.
- b. Enchufe el lado macho del tapón en serie del cable de termostato del kit en una toma eléctrica de tres cables (con conexión a tierra) dentro del edificio.
- c. Encienda el calentador y verifique que funcione correctamente.

2. Para conectar el kit de termostato (500-20176) cableado directo al calefactor:

La instalación y el cableado del termostato deben ser realizados por un electricista o alguien debidamente calificado. El cableado del termostato debe ser de calibre 18 como mínimo.

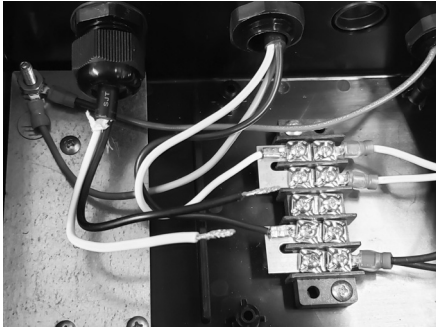
- a. Afloje los dos tornillos de cabeza Phillips que sujetan la tapa de la caja de control.
- b. Retire la tapa de la caja de control.
- c. Retire la tapa del conector hermético a líquidos y el tapón de plástico negro. Vea la figura 5.

FIG. 5

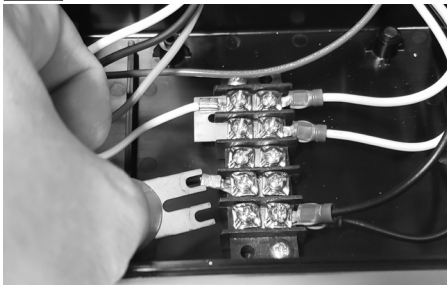


- d. Inserte los cables del termostato a través del conector hermético y la tapa.

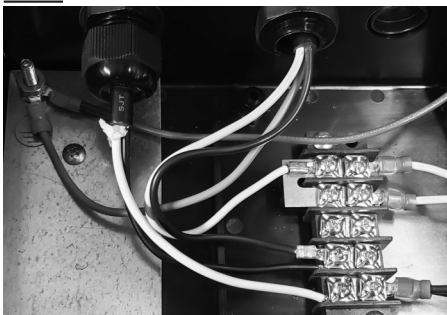
- e. Corte ambos terminales hembra de conexión rápida de los cables del termostato y pele los cables 1/4 pulg. Consulte. Figura 6

FIG. 6

- f. Afloje los tornillos del puente inferior y retire el puente. NO retire el cable negro del bloque de terminales. Ver. Figura 7.

FIG. 7

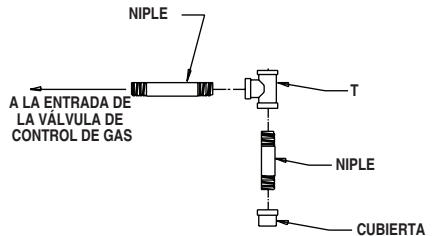
- g. Inserte el cable negro del termostato al cable negro en el bloque de terminales. Apretar el tornillo.
h. Inserte el cable blanco del termostato en el tornillo inferior del bloque de terminales. Apretar el tornillo. Ver figura 8.

FIG. 8

- i. Apriete la tapa hermética a los líquidos alrededor del cuerpo del conector.
j. Instale la tapa de la caja de control y asegúrela.
k. Encienda el calentador y verifique que funcione correctamente.

Conjunto del colector de sedimentos

Arme el conector en T, los nipples y la cubierta, y ajústelos bien. Ver Fig. 4. El conjunto del colector de sedimentos siempre se debe montar en posición vertical. Asegúrese de que todas las conexiones se realicen con un compuesto para roscas de tubería que sea resistente tanto al gas PL como al gas natural. Verifique todas las conexiones en busca de fugas de gas mediante detectores de fugas de gas aprobados.

FIG. 9

Instrucciones de puesta en marcha

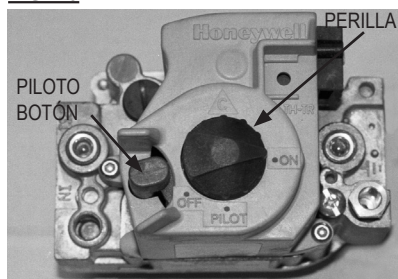
Siga los pasos 1-8 en la puesta en marcha inicial luego de la instalación del calefactor realizada por una persona calificada en mantenimiento de calefactores a gas. Para la puesta en marcha normal, simplemente gire el control del termostato por encima de la temperatura ambiente. El calefactor se encenderá.

1. Abra todas las válvulas de suministro de combustible manuales y verifique que no haya fugas de gas mediante detectores de fuga aprobados y certificados.
2. La válvula de control de gas incorpora una función de cierre manual del gas. Posicione el indicador de la perilla de cierre en PILOT (Piloto).
3. Presione completamente el botón piloto rojo ubicado en la válvula de control mientras aplica la llama al orificio de la llama piloto. Ver Fig. 10.
4. Mantenga el botón presionado por aproximadamente 30 segundos para permitir que la termocupla se caliente y el

piloto se mantenga encendido después de soltar el botón del piloto. En las nuevas instalaciones, puede llevar aproximadamente un minuto que el gas purgue todo el aire de la línea del piloto antes de que se encienda el piloto.

- Coloque la perilla en ON (Encendido).
- Conecte el cable eléctrico del calefactor a una toma eléctrica aprobada.

FIG. 10



- Ajuste el termostato por encima de la temperatura ambiente. El calefactor se encenderá. Coloque el control del termostato en la temperatura ambiente deseada.
- No exceda el valor de entrada que se indica en la placa de datos del dispositivo, o la presión del orificio del quemador recomendada por el fabricante para el orificio del tamaño utilizado.

Instrucciones de apagado

Si el calefactor se apagará para limpieza, mantenimiento o reparación, siga los pasos 1-4. De lo contrario, simplemente gire el control del termostato a la posición OFF o sin calor para el apagado estándar.

- Cierre todas las válvulas de suministro de combustible manuales.
- Con el calefactor encendido, permita que queme el exceso de combustible que quede en la manguera de suministro de gas.
- Gire el control del termostato a la posición off o sin calor.
- Desconecte el calefactor del suministro eléctrico.

Potencia calorífica variable

- Algunos modelos de calefactores a gas propano (PL) o a gas natural tienen una válvula de mariposa para modificar la potencia calorífica, que se encuentra entre la válvula de control de gas y el colector de gas. Ver Fig. 11. **ESTA NO ES UNA VÁLVULA DE CIERRE DE GAS MANUAL.**
- La válvula de mariposa se puede ajustar para entregar el calor mínimo o el calor máximo. Cuando la manija de la válvula de mariposa está paralela al flujo de gas, la válvula está completamente abierta para entregar la potencia calorífica máxima. La válvula de mariposa se puede ajustar a la potencia calorífica mínima girando la manija 90° al flujo de gas o a cualquier posición entre las configuraciones máxima y mínima. Ver Fig. 12.

FIG. 11

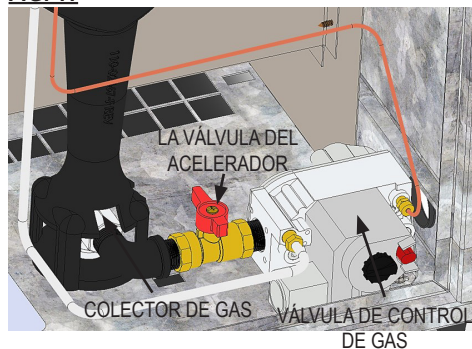
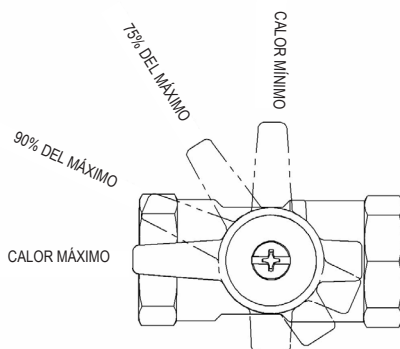


FIG. 12



Instrucciones de limpieza



ADVERTENCIA

Peligro de incendio, quemaduras y explosión

- Este calefactor contiene componentes eléctricos y mecánicos en los sistemas de gestión del gas, seguridad y flujo de aire.
- Estos componentes pueden dejar de funcionar o fallar debido a polvo, suciedad, desgaste, envejecimiento, o la atmósfera corrosiva de un edificio en el que se confinan animales.
- La limpieza e inspección periódicas, así como un mantenimiento adecuado, son fundamentales para prevenir lesiones graves o daños materiales.

1. Antes de la limpieza, cierre la válvula de suministro de combustible al calefactor y desconecte el suministro eléctrico.
2. Se debe quitar el polvo o la suciedad del calefactor periódicamente:
 - a. Después de cada rebaño o antes de la repoblación del edificio, limpie el interior y el exterior del calefactor con aire comprimido o un cepillo suave. En este momento, quite el polvo de la caja del motor para impedir que se sobrecaliente y que apague el calefactor.
 - b. Realice una limpieza profunda del calefactor por lo menos una vez al año. En este momento, extraiga el conjunto del ventilador y el motor y quite el polvo de la turbina con un cepillo o mediante soplado, con especial atención en cada aspa. Además, asegúrese de que los puertos venturi de entrada de aire del quemador y el cuello de la pieza fundida estén libres de acumulación de polvo, y de que el área entre la parte superior de la cámara de calor y la caja interna también esté libre de polvo.
 - c. Cuando lave con agua, respete la advertencia que se encuentra en estas instrucciones de limpieza. La misma advertencia se suministra en el calefactor.



ADVERTENCIA

Este calefactor se puede lavar solamente en el conjunto de la caja externa siempre y cuando:

- A. El calefactor esté desconectado del suministro eléctrico.
- B. Todos los paneles de acceso estén bien cerrados.
- C. La boquilla rociadora de agua no descargue en un radio de 6 pies del calefactor.
- D. La presión de agua no supere 45 PSIG durante 10 segundos a cada lado del calefactor.
- E. El calefactor no se vuelva a conectar al suministro eléctrico por lo menos durante 1 hora o hasta que se seque por completo.

La limpieza inadecuada del calefactor puede causar lesiones graves o daños materiales debido al agua y/o la solución de limpieza:

1. En los componentes, conexiones y cables eléctricos, pueden causar una descarga eléctrica o fallas en los componentes.
2. En los componentes de control de gas, pueden causar corrosión, que a su vez puede ocasionar fugas de gas e incendios o explosiones por las fugas.

Limpie los componentes internos del calefactor con un cepillo o paño suave y seco, o con aire comprimido.

Instrucciones de mantenimiento

1. Pida a su proveedor de gas que revise anualmente todas las tuberías de gas para detectar fugas o restricciones en las líneas de gas. También en este momento, pida a su proveedor de gas que limpie el colector de sedimentos para eliminar residuos que puedan haberse acumulado.
2. **El área alrededor del calefactor debe mantenerse limpia y libre de materiales combustibles, gasolina, y otros líquidos y vapores inflamables.**
3. Los reguladores se pueden desgastar y pueden no funcionar adecuadamente. Pida a su proveedor de gas que verifique los códigos de fecha que figuran en todos los reguladores instalados y las presiones que llegan al artefacto para asegurarse de que el regulador sea confiable.
4. Los reguladores deben revisarse periódicamente para asegurarse de que sus ventilaciones no estén obstruidas. Los residuos, insectos, nidos de insectos, la nieve o el hielo depositados o acumulados en un regulador pueden obstruir las ventilaciones y causar presión excesiva en el artefacto.
5. Verifique que sean legibles todas las marcas del calefactor (advertencias, puesta en marcha/apagado, cableado eléctrico, diagramas, etc.). Asegúrese de que no estén cortadas, arrancadas o dañadas de otro modo. Comuníquese de inmediato con L.B. White Co., Inc. para reemplazar las marcas dañadas. Las marcas están disponibles sin costo.
6. Antes de cada uso, inspeccione las mangueras de gas para detectar mellas, cortes o conectores corroídos. **Si encuentra algún defecto, reemplace el conjunto completo de la manguera de gas.**
7. Inspeccione las conexiones eléctricas y el cableado del calefactor. Reemplace las terminales corroídas y cualquier cable con mellas o cortes.

Instrucciones de servicio



ADVERTENCIA Peligro de quemaduras

- Las superficies del calefactor quedan calientes durante un tiempo luego de que se apaga.
- Deje que el calefactor se enfríe antes de realizar tareas de mantenimiento o limpieza.
- No tener en cuenta esta advertencia podría causar quemaduras.



ADVERTENCIA Peligro de incendio y explosión

- No desarme ni intente reparar ningún componente del calefactor ni los componentes del tren de gas, tales como válvulas o mangueras.
- Todas las piezas componentes deben reemplazarse si se hallasen defectuosas.
- No seguir esta advertencia puede ocasionar incendios o explosiones que produzcan daños materiales, lesiones o la muerte.

1. Cierre la válvula de suministro de combustible al calefactor y desconecte el suministro eléctrico antes de realizar el mantenimiento, a menos que sea necesario tener la válvula abierta y el suministro eléctrico conectado para su procedimiento de mantenimiento.
2. Limpie el orificio del calefactor con aire comprimido o un paño suave y seco. No use limas, taladros, raspadores, etc. para limpiar el orificio. Esto podría agrandar el orificio y causar problemas de combustión o encendido. Reemplace el orificio si no puede limpiarse adecuadamente.
3. El interruptor de límite superior y el interruptor de comprobación de aire se pueden probar de la siguiente manera:
 - Desconecte los cables en el componente y puentéelos entre sí.
 - Vuelva a conectar el suministro eléctrico y abra las válvulas de suministro de combustible.
 - Si el calefactor se enciende, el componente es defectuoso y se debe reemplazar.
 - Si la pieza es defectuosa, no deje colocado el puente ni haga funcionar el calefactor. Reemplaza la pieza de inmediato.
 - Un método alternativo para verificar los componentes es realizar una verificación de continuidad.
4. Abra el panel respectivo para acceder a los

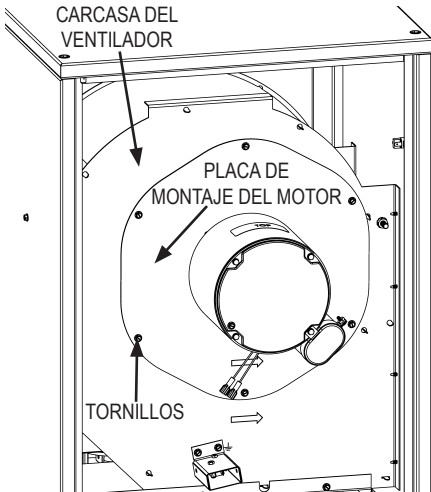
componentes relacionados con el ventilador o el quemador. Abra la caja de control para acceder al control de encendido y al transformador.

5. Cuando reemplace componentes, desconecte los cables eléctricos correspondientes.
6. Para volver a armar, invierta el procedimiento de mantenimiento respectivo. Asegúrese de que las conexiones estén bien ajustadas.
7. Después del mantenimiento, encienda el calefactor para asegurarse de que funcione adecuadamente y verifique que no haya fugas de gas.

Conjunto del motor y el ventilador

1. Quite los tornillos de la placa de fijación del motor y levante el conjunto del ventilador y el motor del recinto. Ver Fig. 13.
2. Afloje los tornillos de fijación de cabeza cuadrada de la turbina.
3. Extraiga la turbina del eje del motor. Si es necesario, use un extractor de ruedas.
4. Quite las cuatro (4) tuercas que fijan el motor a la placa de fijación.

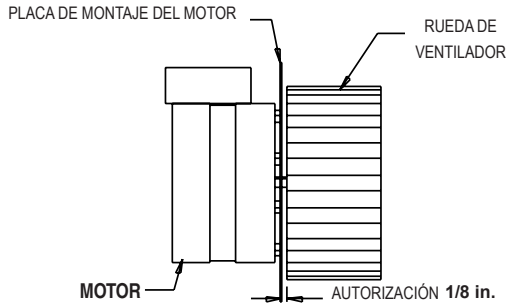
FIG. 13



NOTAS:

- a. El espacio de la turbina a la placa de montaje del motor se debe ajustar a la distancia especificada más adelante antes de ajustar la turbina al eje del motor. Ver Fig. 14.
- b. Asegúrese de que los tornillos de fijación del ventilador estén contra las caras planas del eje del motor al ajustarlos.

FIG. 14

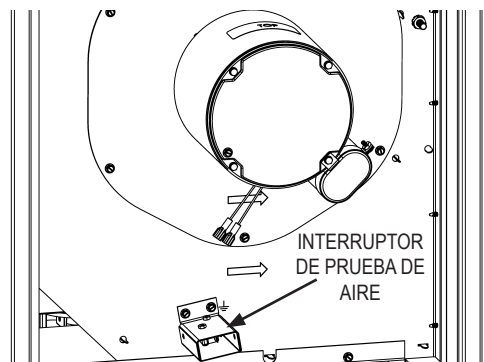


Interruptor de prueba de aire

El interruptor de prueba de aire está ubicado en la carcasa del ventilador en el extremo del motor del calentador. Vea la Fig.15. El interruptor de AUTORIZACIÓN presión de aire debe funcionar correctamente para permitir el encendido. Está cableado en serie al interruptor de límite alto, que luego está en serie a la válvula de control de gas. Si los contactos del interruptor de prueba de aire no se cierran cuando se solicita calor después de que arranque el motor del ventilador, no se producirá la ignición.

1. Retire los dos (2) tornillos de chapa que sujetan el interruptor con soporte a la carcasa del soplador.
2. Retire el conjunto girando el interruptor de modo que la paleta en el brazo del interruptor pueda pasar a través del orificio oblongo en el costado de la carcasa del ventilador.

FIG. 15



Termocupla

1. Retire la tuerca del conector del cable del termopar roscada en la válvula de control de gas. Vea la Fig. 16.
2. Extraiga el cabezal del termopar del soporte del piloto.
 - La termocupla es un dispositivo importante de seguridad que trabaja directamente con la válvula de control de seguridad del piloto. Solo se debe reemplazar con el número de pieza de termocupla que figura en la lista de partes.
 - Al enroscar la tuerca del conector de la termocupla nuevamente en la unidad de potencia de la válvula de control de gas, enrosque la tuerca en el dedo ajustadamente y ajústela en su lugar con una llave. **NO AJUSTE EN EXCESO NI USE FUERZA INNECESARIA SOBRE LA TUERCA AL AJUSTARLA.** Al hacerlo, puede destruir la unidad de potencia en la válvula de control de gas.

FIG. 16

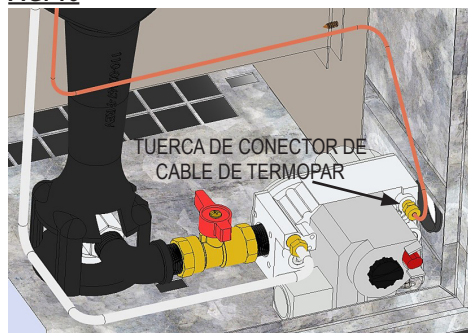
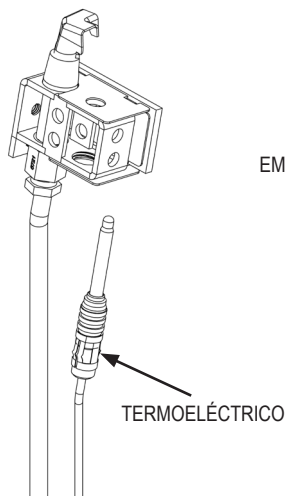


FIG. 17



Conjunto de llama piloto

Consulte la Fig. 18 para ver lo siguiente.

1. Quite el tornillo de fundición del quemador izquierdo.
2. Quite los dos tornillos Phillip que sujetan el soporte al conjunto del piloto.
3. Deslice el escudo del piloto hacia arriba, exponiendo el soporte del piloto, el orificio del piloto y el termopar.
4. Con un cepillo suave o aire comprimido, limpie el polvo y la suciedad de la pila piloto, prestando atención a la garganta de la pila piloto y al espárcidor de llamas en la parte superior de la pila.
5. Cepille la parte superior del orificio piloto, asegurándose de que el polvo y la suciedad no hayan tapado el orificio del orificio.
6. Mantenimiento del orificio del piloto:
 - Afloje el accesorio de compresión y quite el tubo piloto de la entrada del orificio del piloto. Ver Fig. 18.
 - Quite el orificio del piloto del soporte del piloto.
 - Sostenga el orificio a la luz para ver si el orificio en su interior está abierto. De no ser así, límpielo con aire.
 - Ver la Fig. 19 para comparación. Asegúrese de instalar el orificio del piloto adecuado para el combustible que se usa.

FIG. 18

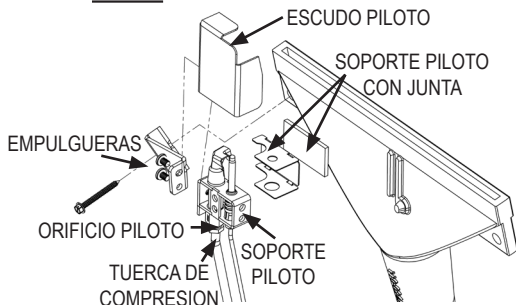
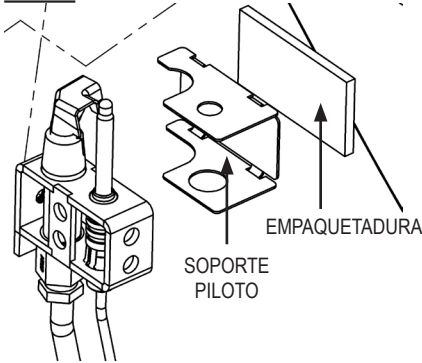
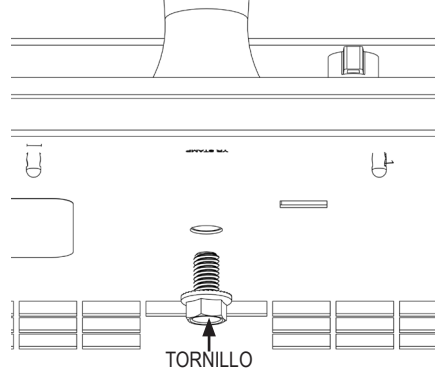
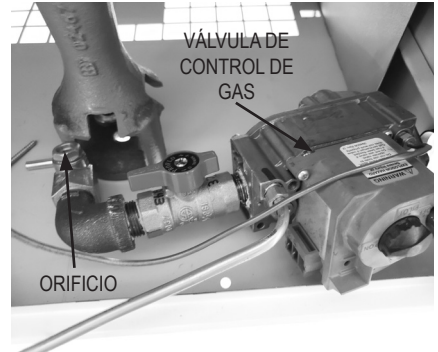


FIG. 19

- Orificio LP (mostrado) estampado 4712
- Orificio NG estampado 6721

Evite daños en la junta ubicada entre el conjunto del piloto y el quemador. La junta dañada o faltante provocará una interrupción del piloto. Asegúrese de que la junta esté colocada correctamente en el soporte del piloto antes de volver a montar el conjunto del piloto. Vea la Fig.20.

FIG. 20**FIG. 21****FIG. 22**

Orificio del quemador y válvula de control de gas

1. Quite lo siguiente:
 - La manguera y el colector de sedimentos del calefactor.
 - Los tornillos del soporte en la entrada de la válvula de control de gas.
 - El perno de sujeción del quemador de la parte inferior de la base. Ver Fig. 21.
2. Desconecte la línea del piloto, termocupla y cables eléctricos de la válvula de control de gas.
3. Gire el conjunto de válvula/colector según sea necesario para que el orificio del colector se aleje del puerto venturi de la pieza fundida del quemador. Ver Fig. 22.
4. Reemplace los componentes según sea necesario.

Interruptor de límite superior

ADVERTENCIA Peligro de incendio

- No haga funcionar el calefactor con el interruptor de límite superior desactivado.
- La operación del calefactor con el interruptor de límite superior desactivado puede ocasionar recalentamiento, que puede derivar en un incendio, con la consecuencia de daños en el calefactor, daños en el edificio o pérdida de ganado.

Este calefactor emplea un interruptor de límite superior con fines de protección contra el sobrecalentamiento. El interruptor de límite superior se encuentra en la cámara de calor (ver Fig. 23). Está conectado entre el control de encendido y la válvula de control de gas.

El interruptor tiene contactos normalmente cerrados. Si se produce una condición de recalentamiento, los contactos del interruptor se abren, y por lo tanto abren el circuito a la válvula de control de gas. El interruptor de límite superior se debe probar como mínimo una vez al año cuando se realiza la limpieza profunda del calefactor.

1. Quite el interruptor. Sosteniendo el interruptor por una de sus patas de montaje, aplique una llama pequeña solamente a la zona de detección de la parte posterior del interruptor. Ver Fig. 24. **No derrita el recinto de plástico del interruptor durante esta prueba.**
2. En un plazo de un minuto, debería escuchar un ruido proveniente del interruptor, que indica que los contactos se han abierto. Verifique la falta de continuidad eléctrica entre los terminales del interruptor para verificar que los contactos se hayan abierto.
3. Deje que el interruptor se enfríe por aproximadamente 1 minuto antes de presionar con firmeza el botón de restablecer del interruptor.
4. Compruebe la continuidad eléctrica en las terminales del interruptor para asegurarse de que se hayan cerrado los contactos.
5. Vuelva a instalar el interruptor en el calefactor. Vuelva a conectar el calefactor a su suministro eléctrico. Encienda el calefactor y verifique que funcione adecuadamente.

FIG. 23

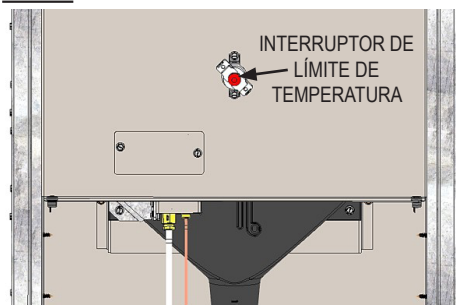
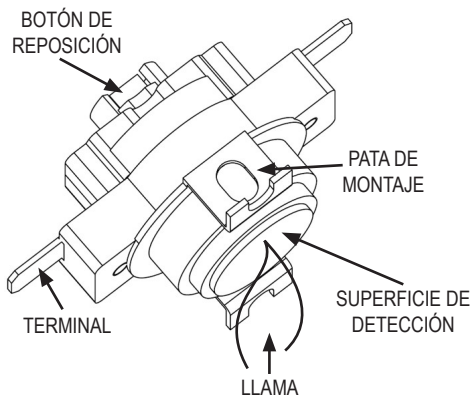


FIG. 24



Verificaciones de la presión de gas

ADVERTENCIA

- No desarme la válvula de control de gas.
 - No intente reemplazar ningún componente de la válvula de control de gas.
 - La válvula de control de gas se debe reemplazar si se produce algún daño físico en el conjunto de la válvula.
 - No seguir esta advertencia ocasionará incendios o explosiones que producirán daños materiales, lesiones o la muerte.
- A continuación se explica un procedimiento típico que se debe seguir para verificar las presiones de gas.
- Las presiones de gas serán distintas según el tipo de combustible.

- Consulte en la placa de datos del calefactor o en la página 4 de este manual las presiones específicas que se deben utilizar en relación con este procedimiento.
- La presión de gas medida en la entrada a la válvula de gas es la presión de entrada, y la presión de gas medida en la salida de la válvula de gas es la presión del colector del quemador.

A. Preparación

1. Obtenga dos manómetros con capacidad para leer hasta 35 pulg. de columna de agua.
2. Desconecte el calefactor del suministro eléctrico y cierre la válvula de suministro de combustible a la entrada del calefactor.
3. Abra el panel de acceso al quemador
4. Cepille o sople todo polvo o suciedad que haya en la válvula de control de gas o cerca de esta.

B. Instalación de los manómetros

1. Ubique las tomas de presión de entrada y salida (ver Fig. 27). Quite los tapones de presión con una llave allen de 3/16 pulg.
2. Conecte un manómetro a cada toma de presión de manera segura. Ver Fig. 28.
3. Abra las válvulas de suministro de combustible al calefactor y vuelva a conectar el suministro eléctrico.
4. Encienda el calefactor.

C. Lectura de presiones

1. Con el calefactor funcionando, los manómetros deberían decir las presiones especificadas en la placa de datos.
2. ¿Las lecturas en los manómetros de entrada y salida concuerdan con las que se especifican en la placa de datos?
3. Si las presiones de entrada no concuerdan con las que se especifican en la placa de datos, entonces el regulador que controla la presión de gas al calefactor debe ajustarse.
4. Si las presiones de entrada son correctas y la presión del colector del quemador no concuerda con la que se especifica en la placa de datos, entonces el regulador de presión interno de la válvula de control de gas debe ajustarse. La Fig. 28 muestra la ubicación del regulador.

FIG. 25

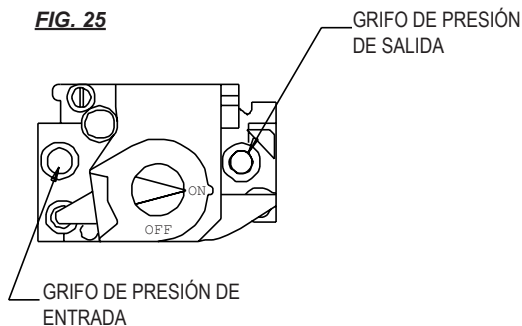
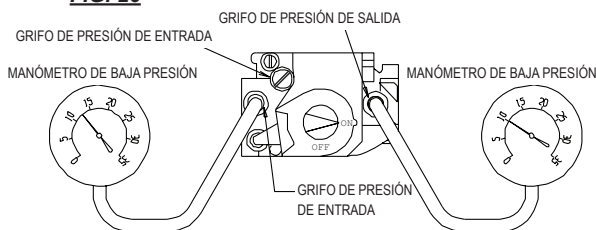


FIG. 26



EJEMPLO MUESTRA LA PRESIÓN DEL GAS PROPANO
CONSULTE SIEMPRE LA PRESIÓN EN LA PLACA DE DATOS

D. Finalización

1. Una vez que las presiones adecuadas de entrada y del colector del quemador han sido confirmadas y/o ajustadas de manera adecuada, cierre la válvula de suministro de combustible al calefactor y deje que el calefactor quemé el resto de gas en la manguera de suministro.
2. Desconecte el calefactor de su suministro eléctrico.
3. Quite los manómetros y las mangueras de conexión.
4. Coloque los tapones de presión y ajústelos bien. Verifique que no existan fugas de gas.

Guía de resolución de problemas

LEA TODA ESTA SECCIÓN ANTES DE COMENZAR A RESOLVER PROBLEMAS



ADVERTENCIA

Peligro de descarga eléctrica y quemaduras

- Para resolver cualquier problema que presente este sistema, podría ser necesario operar la unidad con voltaje de línea presente y el gas encendido. Hágalo con extrema precaución.
- No tener en cuenta esta advertencia podría causar daños materiales, lesiones o la muerte.

Los diagramas de flujo para la resolución de problemas que se presentan en las páginas siguientes proporcionan procedimientos sistemáticos para aislar problemas en el equipo. Los diagramas están destinados a PERSONAS CALIFICADAS EN MANTENIMIENTO DE CALEFACTORES A GAS. **NO REALICE MANTENIMIENTO AL CALEFACTOR A MENOS QUE HAYA RECIBIDO LA CAPACITACIÓN ADECUADA.**

SE NECESITA EQUIPOS DE PRUEBA

Se necesitarán los siguientes equipos de prueba para resolver cualquier problema que presente este sistema con el mínimo tiempo y esfuerzo.

- **Multímetro digital** - para medir voltaje CA y CC, y resistencia.
- **Kit de diagnóstico de la termocupla** - (Parte No. 550-08506) Cuando se usa con un multímetro digital estándar, este kit permite probar la termocupla y la potencia de la unidad de potencia electromagnética de las válvulas de control de gas de seguridad del piloto.
- **Manómetro de presión baja** (Pieza N° 00764) - para verificar las presiones de entrada y salida de la válvula de control de gas con respecto a los valores de la placa de datos.

PREPARACIÓN INICIAL

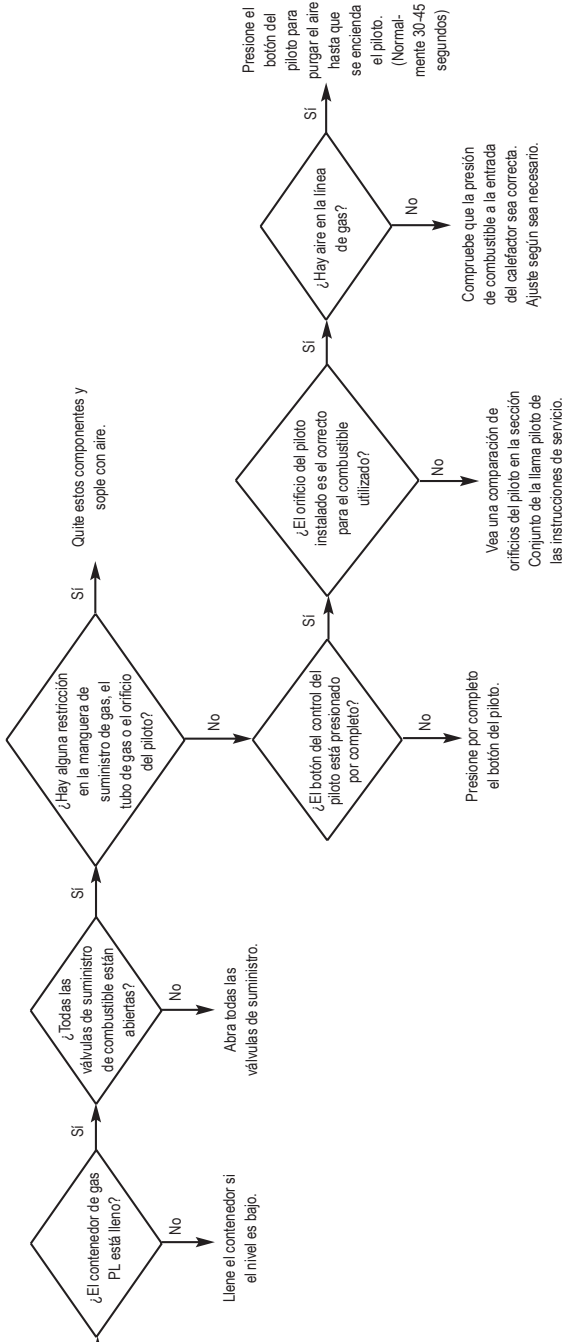
- Inspeccione el equipo visualmente para detectar daños evidentes.
- Verifique todo el cableado para detectar conexiones sueltas y desgaste en el aislamiento.

Para usar los diagramas de flujo en forma eficaz, primero debe identificar el problema. Los proble-

mas se numeran secuencialmente, junto con una breve explicación de cada problema. Se debe comenzar por el "diamante" más cercano al problema identificado y proceder con cada paso, realizando todas las pruebas sugeridas. Después de cada paso o prueba, la guía orientará a la persona que realiza el mantenimiento al siguiente paso lógico sobre la base del resultado de la verificación previa.

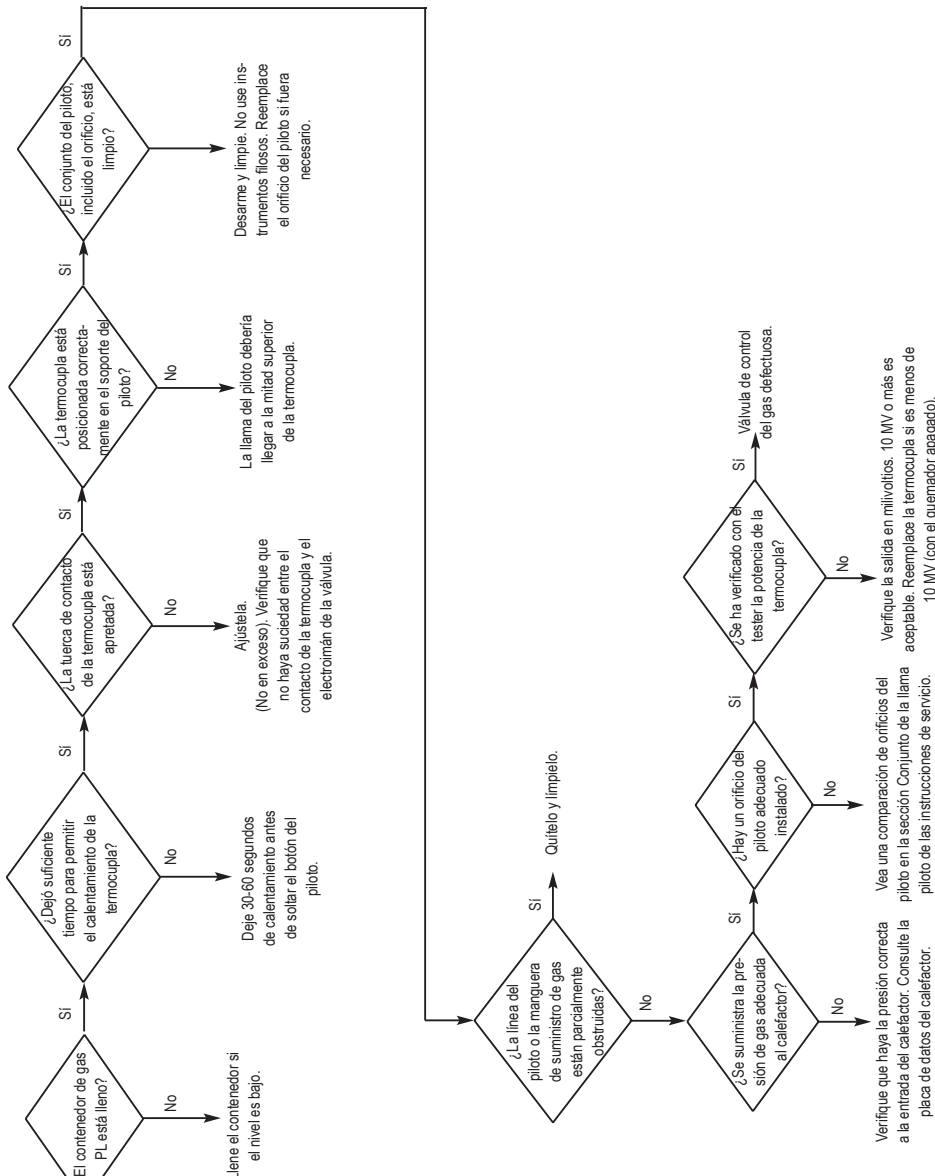
Problema	Página
1 El piloto no enciende.....	23
2 El piloto no permanece encendido cuando se suelta el botón de control del piloto.....	24
3 El motor funciona. El quemador no se enciende con la llama del piloto encendida.....	25
4 El motor no funciona, el calefactor no enciende con la llama del piloto encendida.....	26
5 El piloto no permanece encendido cuando el quemador principal y el soplador están funcionando.....	26
6 El interruptor de límite superior está abierto.....	27
7 El quemador no se apaga.....	28
8 La llama se levanta fuera del quemador.....	28
9 La llama del quemador se apaga después de 10-15 minutos de operación.....	28
10 La válvula de control de gas hace ruido.....	29
11 El motor hace un zumbido.....	29

Problema 1
El piloto no enciende.



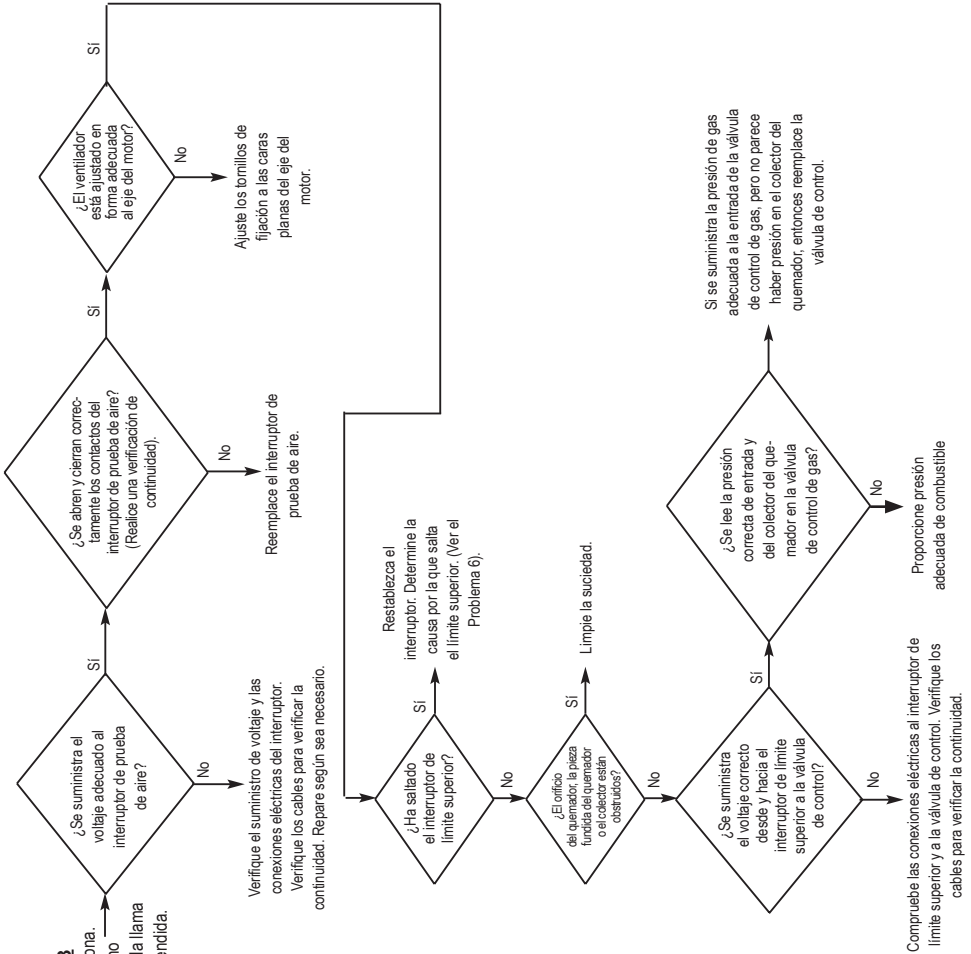
Problema 2

El piloto no permanece encendido cuando se suelta el botón de control del piloto.



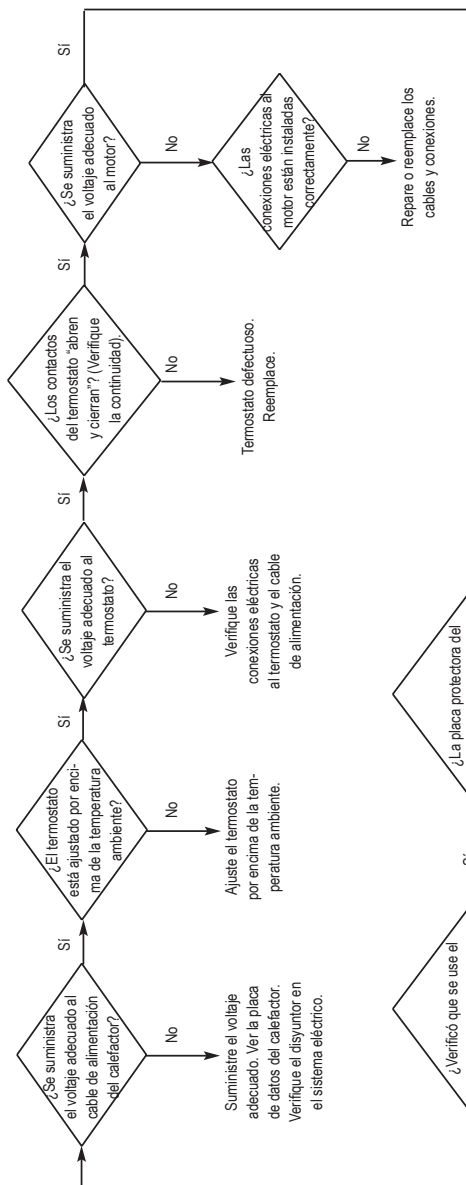
Problema 3

El motor funciona. El quemador no enciende con la llama del piloto encendida.



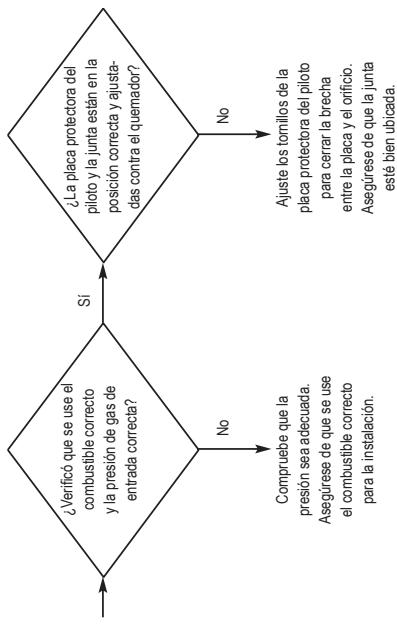
Problema 4

El motor no funciona, el calefactor no enciende con la llama del piloto encendida.

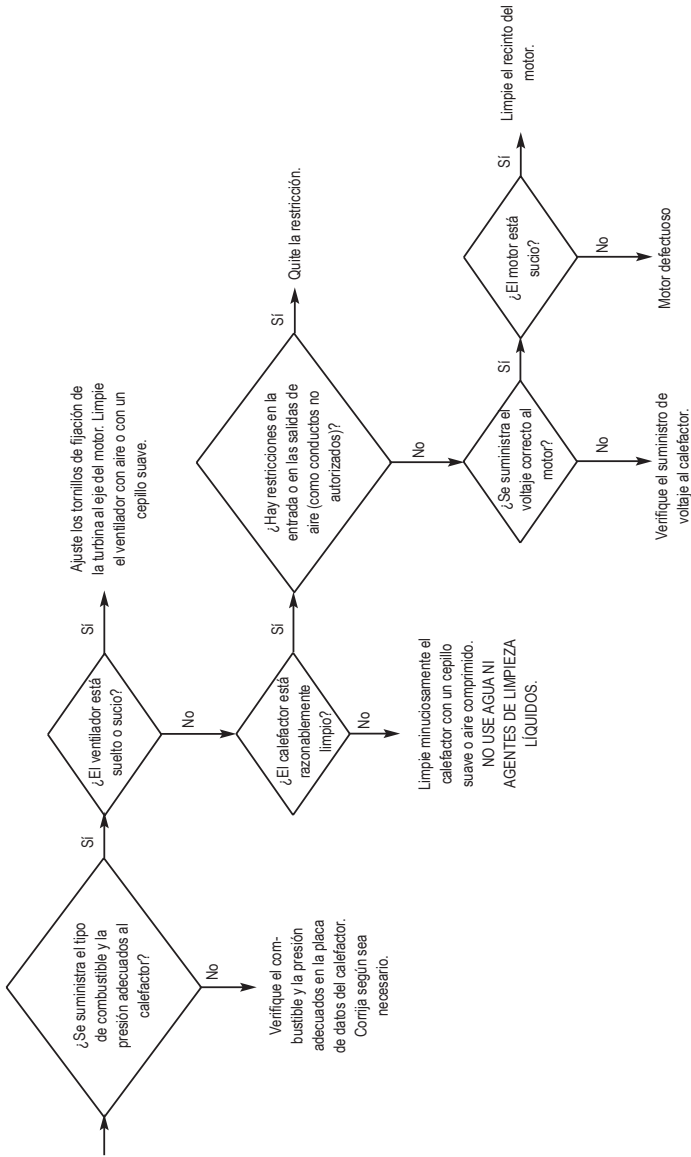


Problema 5

La llama del piloto no permanece encendida cuando el quemador principal y el soplador están funcionando.

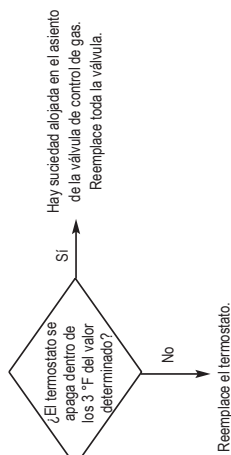


Problema 6
Ha saltado el interruptor de límite superior (abierto).

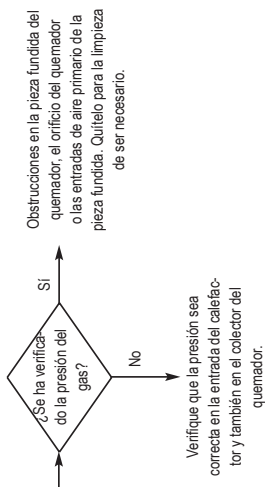


Problema 7

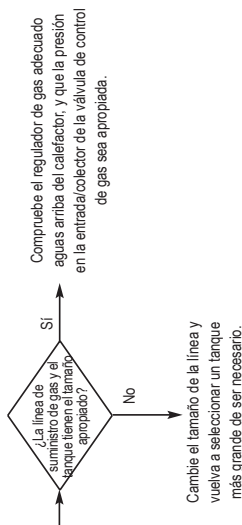
El quemador no se apaga cuando se satisface el requisito de temperatura.

**Problema 8**

La llama es más alta que el quemador.

**Problema 9**

La llama del quemador se apaga después de 10-15 de operación.



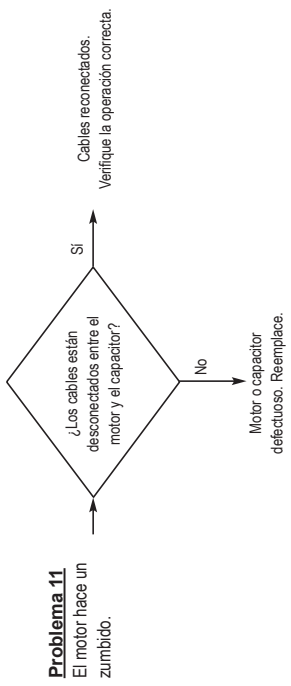
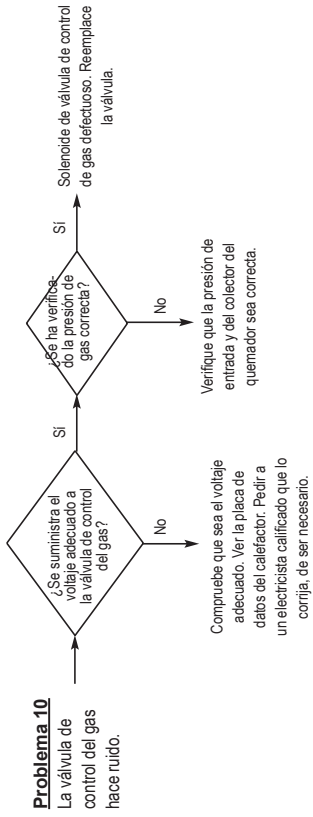


Diagrama de conexión eléctrica y escalera

Diagrama de conexión de AB250:

ELECTRICAL CONNECTION DIAGRAM/SCHEMA DE RACCORDEMENT ÉLECTRIQUE/DIAGRAMA DE CONEXIONES ELÉCTRICAS

ELECTRICAL LADDER DIAGRAM/SCHEMA D'ÉCHELLE ÉLECTRIQUE/DIAGRAMA ELÉCTRICO DE ESCALERA

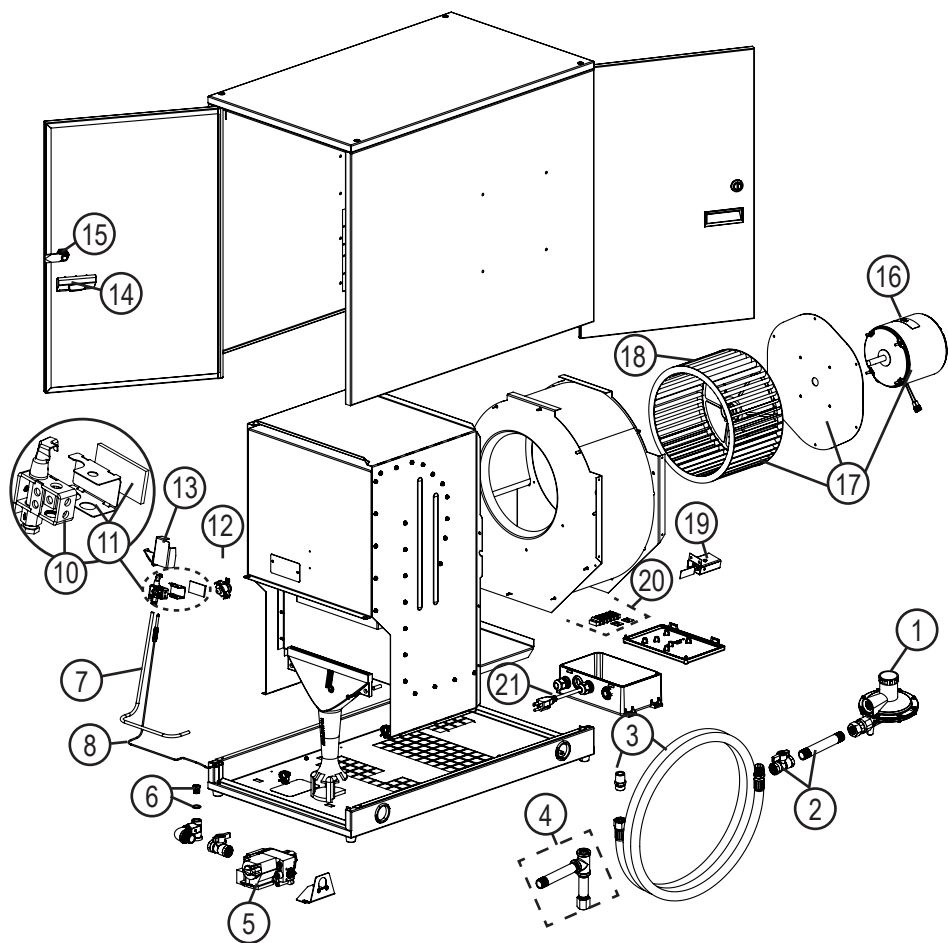
Legend:

- BK: Black/Noir/Negro
- BK/W: Black/White/Noir/Blanc/Negro/Blanco
- G: Green/vert/Verde
- W: White/Blanc/Blanco
- W/BK: White/Black/Blanc/Noir/Blanco/Negro
- APS: Air Pressure Switch/Interrupteur de Vérification de Débit d'Air/Interruptor de Comprobación de Aire
- GV: Gas Control Valve/Vaive de Commande de Gaz/Valvula de Control de Gas
- HL: High Limit Heat Switch/ Interrupteur de Limite Elevee/Interruptor de Limite Superior
- J1: Jumper/Disjoncteur/Puente De Conexion
- J2: Thermostat/Disjoncteur/Enlievez-Le Avant D'ajouter Le Thermostat/Puente De Conexion (Retirar/Agregar El Termostato)
- M: Motor/Moteur
- NEU: Neutral/Neutre/Neuro
- PC: Power Cord/Cordon Electrique/
- PC: Cordon de Potencia
- T: Thermostat(Optional)/Thermostat(En Option)/Termostato(Opcional)
- TB: Terminal Block/Bloc De Conexion/Bloque De Terminales
- ⏏: Earth Ground/Mise a la Terre/Conexiona Tierra

150-133299 REV A

IF ANY OF THE ORIGINAL WIRE AS SUPPLIED WITH THE HEATER MUST BE REPLACED, IT MUST BE REPLACED WITH WIRING MATERIAL HAVING A TEMPERATURE RATING AT LEAST EQUIVALENT TO THAT INDICATED ON THE WIRE BEING REPLACED.
 S'IL'UN DES FILS D'ORIGINE FOURNI AVEC L'APPAREIL DOIT ÊTRE REMPLACÉ, IL DOIT ÊTRE REMPLACÉ PAR UN MATÉRIAU DE CÂBLAGE AYANT UNE TEMPÉRATURE CLASSIFICATION AU MOINS ÉQUIVALENTE À CELLE INDICUÉE SUR LE FIL À REMPLACER.
 SI SE DEBE REEMPLAZAR ALGUNO DE LOS CABLES ORIGINALES SUMINISTRADOS CON EL CALENTADOR, SE DEBE REEMPLAZAR CON MATERIAL DE CABLEADO QUE TENGA UNA TEMPERATURA CALIFICACIÓN AL MENOS EQUIVALENTE A LA INDICADA EN EL CABLE QUE SE REEMPLAZA.

Diagrama de identificación de piezas de mantenimiento



Lista de piezas - AB250

Item	Description	Part Number	
1	*Regulador, segunda etapa, ventilación lateral, gas PL	500-06665	
	*Regulador, segunda etapa, ventilación sobre salida, gas PL	500-06553	
	*Regulador, segunda etapa, gas natural	500-24414	
2	*Válvula de cierre y boquilla	500-03399	
3	*Manguera, 1/2 pulg. DI x 10 pies con adaptador	500-23160	
4	Kit, trampa de sedimentos	500-00815	
5	Válvula de control de gas	Gas PL	521615
		Gas natural	521616
6	Orificio del quemador	Gas PL	574296
		Gas natural	574304
7	Tubería del piloto con tuercas y manguitos de compresión	574456	
8	Termocupla	503497	
9	** Orificio del piloto	Gas PL	502689
		Gas natural	570065
10	Conjunto piloto con orificio piloto	Gas PL	502729
		Gas natural	573699
11	Cubierta, piloto con junta	574312	
12	Interruptor de límite de temperatura	573099	
13	Escudo, piloto con soporte de montaje	574313	
14	Resolver	574124	
15	Pestillo	574162	
16	Motor	520169	
17	Conjunto de rueda de motor / ventilador	574197	
18	Turbina	570481	
19	Interruptor, prueba de aire	574519	
20	Regleta de bornes con jumpers	570491	
21	Cable de alimentación	520133	

* Accesorio opcional

** No mostrado

Política de garantía

CALEFACTOR

L.B. White Company, LLC garantiza que las piezas componentes de su calefactor están libres de defectos de material y de mano de obra, cuando se las instala, hace funcionar y mantiene apropiadamente siguiendo las Instrucciones de instalación y de mantenimiento, las guías de seguridad, y las etiquetas de cada unidad. Si, dentro de los 12 meses de la fecha de compra por el usuario final, se encuentra que algún componente está defectuoso, L.B. White Company, LLC según su criterio, reparará o reemplazará la pieza defectuosa o el calefactor con una pieza o calefactor nuevos, FOB, Onalaska, Wisconsin. Al registrar su producto en línea con L.B. White habilitará automáticamente una unidad y sus piezas componentes para la garantía. Si un producto no ha sido registrado con L.B. White, se requerirá una copia de la factura de venta para establecer una calificación de garantía. Si nada de lo anterior está disponible, el período de garantía será de 12 meses desde la fecha del envío por parte de L.B. White.

PIEZAS

L.B. White Company, LLC garantiza que las piezas de repuesto compradas a la compañía y usadas en el correspondiente equipo L.B. White están libres de defectos tanto de materiales como de mano de obra durante 12 meses desde la fecha de compra por el usuario final. La garantía es automática si se encuentra que un componente está defectuoso dentro de los 12 meses del código de fecha marcado en la pieza. Si el defecto ocurre más de 12 meses después del código de fecha pero dentro de los 12 meses de la fecha de compra por el usuario final, se solicitará una copia de la factura de venta para que quede habilitada la garantía.

La garantía descrita arriba es la garantía exclusiva otorgada por L.B. White, y todas otras garantías, incluida cualquier garantía implícita o comerciabilidad o idoneidad para un propósito en particular, son expresamente denegadas. En el caso de cualquier garantía implícita que no esté eficazmente denegada aquí por efecto de la ley, tal garantía implícita está limitada en tiempo a la duración de la correspondiente garantía mencionada arriba. Los recursos establecidos arriba son los únicos y exclusivos recursos disponibles conforme a la presente. L.B. White no será responsable por ninguno de los daños y perjuicios incidentales

o emergentes directa o indirectamente relacionados con la venta, manipulación o uso del equipo, y en todo caso la responsabilidad de L.B. White con respecto al equipo, incluidos reclamos basados en negligencia o responsabilidad estricta, está limitada al precio de compra.

Algunos estados no permiten limitaciones en relación a cuánto tiempo dura una garantía implícita; por lo tanto, la limitación de arriba podría no aplicarse a usted. Algunos estados no permiten la exclusión o limitación de daños y perjuicios incidentales o emergentes; por lo tanto, la limitación o exclusión de arriba podría no aplicarse a usted. Esta garantía le otorga derechos legales específicos, y usted también podría tener otros derechos que varían de estado a estado.

Para registrar su producto y asegurarse la garantía completa, visite: http://www.lbwhite.com/customer_care_center/product-registration/. Por favor, tenga a mano el número o los números de serie y modelo(s) de los productos que está registrando.

Mantenimiento

Póngase en contacto con su distribuidor de L.B. White local para obtener repuestos y mantenimiento. También puede llamar a L.B. White Company, LLC al 1-800-345-7200, para recibir ayuda, o enviar un correo electrónico a customerservice@lbwhite.com.

Cuando llame, asegúrese de que tiene el número de modelo del calefactor y el número de configuración.



PROVEEDOR MUNDIAL - SOLUCIONES INNOVADORAS DE CALEFACCIÓN

411 Mason Street, Onalaska, WI 54650

800-345-7200 • 608-783-5691

608-783-6115 (fax)

www.lbwhite.com



Guardian 2.0 Réchauffeur à air pulsé pilote

AB250 250 000 Btu/h

Soutirage de la vapeur des gaz de
pétrole liquéfiés ou du gaz naturel

Consulter ce manuel en ligne à l'adresse www.lbwhite.com



Attention

Cette fournaise a été testée et évaluée par le Groupe de l'Association canadienne de normalisation conformément à la norme ANSI/IAS US LC2-1998 ainsi que par l'Association canadienne du gaz conformément à la norme CAN1-2.20-M85 relative aux cuveuses alimentées au gaz. Cette fournaise est cotée et approuvée à titre de fournaise à circulation directe alimentée au gaz pour le chauffage des bâtiments agricoles de confinement des animaux. Si vous envisagez d'utiliser ce produit pour une application autre que son utilisation prévue, communiquez au préalable avec votre fournisseur de gaz combustible, ou avec L.B. White Company, LLC

www.lbwhite.com



Félicitations!

Vous avez acheté la meilleure fournaise à flux de chaleur disponible. Votre nouvelle fournaise L.B. Le radiateur blanc intègre les avantages du fabricant de produits de chauffage le plus expérimenté qui utilise une technologie de pointe.

L'équipe de L.B. White, vous remercie de la confiance que vous accordez à nos produits et indique qu'elle est ouverte à vos suggestions ou vos commentaires, pour se faire, communiquez avec nous sans frais au 1 800-345-7200.

REMARQUER

Les présentes instructions d'installation sont celles de L.B. White Co. LLC a suggéré des recommandations et des lignes directrices pour l'installation temporaire ou permanente du L.B. Radiateurs White Co. LLC. Les exigences des codes locaux, provinciaux, électriques et de sécurité remplacent ces directives. En l'absence de codes locaux, voir page 7 pour une installation aux États-Unis ou au Canada.

**CONSULTER LES
INSTRUCTIONS
D'ASSEMBLAGE
À L'INTÉRIEUR**

**Veuillez vous référer à l'information
d'élevation se trouvant sur la face
intérieure de la couverture.**



NUMÉRISER CECI

avec votre téléphone intelligent ou Visiter le site <http://goo.gl/nksqZ> pour visionner les vidéos de maintenance d'appareils de chauffage L.B. White*.

* Nécessite une application comme QR Droid pour Android ou iPhone

FOURNISSEUR MONDIAL - SOLUTIONS INNOVANTES DE CHAUFFAGE

411 Mason Street, Onalaska, WI 54650 • 1 800 345-7200 • 608 783-5691 • 608 783-6115 (télécopieur) • www.lbwhite.com

TABLE DES MATIÈRES

Spécifications de la fournaise.....	4
Renseignements généraux.....	5
Consignes de sécurité.....	5
Instructions d'installation Généralité.....	8
Instructions de démarrage/d'arrêt.....	13
Instructions de nettoyage.....	14
Instructions de maintenance.....	15
Instructions d'entretien courant.....	15
Guide de dépannage.....	21
Raccordement électrique et diagramme en échelle.....	29
Schémas des pièces et liste des pièces.....	30
Politique de garantie, pièces de rechange et service courant.....	32



AVERTISSEMENT

Les produits standard sont fabriqués pour fonctionner de façon optimale à des altitudes comprises entre 0 et 610 m (0 et 2 000 pieds) au-dessus du niveau de la mer.

En cas d'utilisation à des altitudes plus élevées, le produit ne fonctionnera pas correctement et pourrait même devenir dangereux.

Des produits offrant un fonctionnement adéquat pour convenir à des niveaux d'altitude différents peuvent être disponibles.

Si vous avez besoin d'un produit pour haute altitude, que vous ne l'avez pas précisé au moment de la commande ou que la boîte de cet appareil ne comportait aucune étiquette de désignation de l'altitude, communiquer avec l'équipe de l'assurance technique.



AVERTISSEMENT GÉNÉRAL

Le non-respect des précautions et des instructions fournies avec cet appareil peut se traduire par :

- La mort
- Des blessures graves ou des brûlures
- Des pertes matérielles ou des dommages matériels causés par un incendie ou une explosion
- L'asphyxie en raison d'un manque d'approvisionnement d'air adéquat ou d'un empoisonnement au monoxyde de carbone
- Décharge électrique
 - Lire le manuel du propriétaire avant d'installer ou d'utiliser cet appareil.
 - Seul du personnel d'entretien correctement formé doit réparer ou installer cette fournaise.
 - Conserver le manuel du propriétaire pour une utilisation et des références ultérieures.
 - Les manuels du propriétaire et des étiquettes de remplacement sont disponibles sans frais. Pour obtenir de l'aide, communiquez avec L.B. White au 1 800 345-7200.



AVERTISSEMENT

- Une pression d'alimentation en gaz adéquate doit être fournie à l'entrée de la fournaise.
- Reportez-vous à la plaque de données pour connaître la pression d'alimentation en gaz.
- Une pression de gaz supérieure à la pression d'entrée maximale précisée à l'entrée de la fournaise peut provoquer des incendies ou des explosions.
- Des incendies ou des explosions peuvent entraîner des blessures graves voire mortelles, ou des dommages mobiliers.
- Une pression de gaz inférieure à la pression d'entrée minimale précisée à l'entrée de la fournaise peut provoquer une mauvaise combustion.
- Une mauvaise combustion peut mener à l'asphyxie ou à l'empoisonnement au monoxyde de carbone et des blessures graves voire mortelles.



AVERTISSEMENT

Incendie et explosion

- Garder les combustibles solides à une distance sécuritaire de la fournaise.
- Parmi les combustibles solides, on trouve le bois, les produits de papier, les plumes, la paille et la poussière.
- Ne jamais utiliser cet appareil dans des endroits qui contiennent ou pourraient contenir des combustibles ou des produits volatils ou en suspension dans l'air tels l'essence, les solvants, les diluants pour peinture, les particules de poussières ou des produits chimiques inconnus.
- La production porcine, l'entretien, le nettoyage ou les autres pratiques de gestion peuvent entraîner l'accumulation de méthane ou d'autres gaz explosifs ou dangereux dans la structures.
- Assurez-vous que la structure est bien ventilée pour éliminer le méthane ou tout autre gaz explosif ou dangereux pouvant s'être accumulé avant que la fournaise ne soit mise en marche.
- Le non-respect de ces instructions peut entraîner un incendie ou une explosion.
- Les incendies et les explosions peuvent causer des dommages matériels, des blessures voire la mort.



AVERTISSEMENT

Incendie et explosion

- Non destiné à un usage domestique ou un usage sur un véhicule récréatif.
- L'installation de cette fournaise dans une maison ou un véhicule récréatif peut provoquer un incendie ou une explosion.
- Les incendies et les explosions peuvent causer des dommages matériels et la mort.

POUR VOTRE SÉCURITÉ

Ne pas entreposer ou utiliser de l'essence ou d'autres vapeurs et liquides inflammables à proximité de cet appareil ou de tout autre appareil.

POUR VOTRE SÉCURITÉ

Si vous sentez une odeur de gaz :

1. Ouvrir les fenêtres.
2. Ne pas toucher aux interrupteurs électriques.
3. Éteindre toute flamme nue.
4. Appeler immédiatement votre fournisseur de gaz.

Caractéristiques

		AB250	
		Gaz de pétrole liquéfiés	Gaz naturel
Entrée maximale (Btu/h)		250 000	
Entrée minimale (Btu/h)		160 000	
Air de ventilation nécessaire pour soutenir la combustion (pi ³ /min)		1 050	
Pression d'alimentation en gaz acceptable à l'entrée de la fournaise à des fins d'ajustement (max.) de l'entrée (po de colonne d'eau)	Max.	13,5	
	Min.	11,5	7
Pression d'admission du brûleur (po de colonne d'eau)		10	4
Consommation de carburant par heure	Max.	11,57 lb	250 pi ³
	Min.	7,41 lb	160 pi ³
Caractéristiques du moteur		Roulement à billes	
		13 REV.A 1100 PI	
Alimentation électrique (Volts/Hz/Phase)		120/60/1	
Consommation en ampère	Au démarrage	7,3	
	Opération continue	4,5	
Dimensions (pouces) (L x P x H)		30 ⁵ / ₈ x 18 x 28	
Poids, élément chauffant uniquement (kg)		47,6	
Distances sécuritaires minimales de la fournaise pour les plus proches de matériaux combustibles	Partie supérieure	1 pi (0,3 m)	
	Côtés	1 pi (0,3 m)	
	Arrière	1 pi (0,3 m)	
	Sortie du ventilateur	6 pi (1,83 m)	
	Alimentation en gaz	Alimentation en gaz de pétrole liquéfiés – 1,83 m (6 pi) Alimentation en gaz naturel – S. o.	

Renseignements généraux

Ce manuel du propriétaire comprend des accessoires fréquemment utilisés avec cette fournaise. Ces accessoires doivent être commandés séparément.

Lors d'un appel de service technique, ou pour obtenir toute autre information précise, **toujours** avoir le numéro de modèle, le numéro de configuration et le numéro de série sous la main. Cette information est inscrite sur la plaque signalétique.

Ce manuel vous présente le fonctionnement et l'entretien de votre appareil. Lire ce manuel avec votre installateur afin de vous assurer de bien comprendre la fournaise et son fonctionnement.

Communiquez avec votre distributeur L.B. L.B. White local ou L.B. White Company, LLC pour obtenir de l'aide, ou si vous avez des questions sur l'utilisation de l'équipement ou de son application.

La société L.B. White Company, LLC dispose d'une politique d'amélioration continue de ses produits. La société se réserve le droit de modifier les spécifications et la conception sans préavis.

Précautions de sécurité



AVERTISSEMENT

DANGER D'ASPHYXIE

- Ne pas utiliser cet appareil pour chauffer des logements humains.
- Ne pas utiliser dans les zones non ventilées.
- Le débit de combustion et l'air de ventilation ne doivent pas être obstrués.
- De l'air de ventilation adéquat doit être prévu pour soutenir les besoins en air de combustion de la fournaise étant utilisée.
- Se reporter à la section des spécifications du manuel du propriétaire, à la plaque signalétique de la fournaise ou communiquer avec la société L.B. White pour déterminer les besoins en matière de ventilation d'air de combustion de la fournaise.
- L'absence d'une ventilation convenable se traduira par une mauvaise combustion.
- Une mauvaise combustion peut mener à une intoxication au monoxyde de carbone, ce qui peut se traduire par des blessures graves voire mortelles. Parmi les symptômes de l'intoxication au monoxyde de carbone, on trouve des maux de tête, des étourdissements et des difficultés à respirer.
- Parmi les symptômes d'une mauvaise combustion qui touchent le bétail, on trouve des maladies, un taux de conversion alimentaire inférieur voire la mort.

Odeur de gaz combustible

Des odorants artificiels sont ajoutés au gaz propane et au gaz naturel précisément pour permettre la détection de fuites de gaz combustible. Si une fuite de gaz combustible se produit, vous devriez être en mesure de la sentir .

C'EST VOTRE SIGNAL DE PRENDRE IMMÉDIATEMENT DES MESURES!

- Ne rien faire qui pourrait enflammer le gaz combustible. Ne pas faire fonctionner les commutateurs électriques. Ne pas tirer sur les câbles d'alimentation ou les rallonges. Ne pas allumer d'allumettes ou toute autre source de flamme. Ne pas utiliser votre téléphone.
- Évacuer tout le bâtiment et éloigner immédiatement les gens de la zone.
- Fermer tous les robinets d'alimentation en carburant.
- Le gaz propane est plus lourd que l'air et peut se déposer au sol. Lorsque vous avez des raisons de soupçonner une fuite de propane, rester à l'écart de toutes les zones basses.
- Utiliser le téléphone de votre voisin et appeler votre fournisseur de gaz ainsi que votre service d'incendie. Ne pas entrer de nouveau dans le bâtiment ou la zone.
- Rester à l'extérieur du bâtiment et demeurer à l'écart de la zone jusqu'à ce qu'ils soient déclarés sûrs par les pompiers et par votre fournisseur de gaz combustible.
- ENFIN, laisser le technicien en gaz combustible et les pompiers vérifier d'où le gaz s'échappe. Leur demander d'aérer le bâtiment et la zone avant d'y retourner. Un technicien correctement formé doit réparer la fuite, vérifier s'il y a d'autres fuites, puis rallumer la fournaise pour vous.

Dissipation de l'odeur- Aucune odeur détectée

- Certaines personnes ne peuvent pas bien sentir. Certaines personnes peuvent ne pas sentir l'odeur du produit chimique artificiel ajouté au gaz propane ou au gaz naturel. Vous devez déterminer si vous pouvez sentir la substance odorante se trouvant dans ces gaz combustibles.
- Apprendre à reconnaître l'odeur du gaz propane et du gaz naturel. Les revendeurs locaux de gaz propane et votre fournisseur local de gaz naturel (service public) seront plus qu'heureux de vous donner un dépliant « Grattez et sentez » Utilisez-le pour vous familiariser avec l'odeur de gaz combustible.
- Fumer peut diminuer votre odorat. Être autour d'une odeur pendant une certaine période peut avoir une incidence sur votre sensibilité à cette odeur particulière. Les odeurs présentes dans les bâtiments de confinement des animaux peuvent masquer l'odeur du gaz combustible.
- L'odorant du gaz propane et du gaz naturel est incolore et l'intensité de son odeur peut disparaître dans certaines circonstances.
- S'il y a une fuite souterraine, le mouvement du gaz dans le sol peut filtrer l'odorant.
- À des niveaux différents, l'odeur du gaz propane peut différer en intensité. Puisque le gaz propane est plus lourd que l'air, il peut y avoir plus d'odeurs à des niveaux inférieurs.
- Toujours être sensible à la moindre odeur de gaz. Si vous continuez à détecter une odeur de gaz, et ce, peu importe son importance, traitez-la comme une fuite grave. Passer immédiatement à l'action comme indiqué précédemment.

Attention - Points capitaux à retenir!

- Le gaz propane et le gaz naturel ont une odeur particulière. Apprenez à reconnaître ces odeurs. (Se reporter aux rubriques « Odeur du gaz combustible » et « Dissipation de l'odeur » ci-dessus.
- Si vous n'avez pas reçu de formation adéquate en réparation et entretien de fournaies alimentées au gaz propane et au gaz naturel, ne pas tenter d'allumer la fournaie, d'effectuer des réparations ou de faire des ajustements à la fournaie sur un système d'alimentation en gaz propane ou en gaz naturel.
- Même si vous n'êtes pas correctement formé en entretien et réparation d'appareils de chauffage par rayonnement, vous devez TOUJOURS connaître les odeurs de gaz propane et de gaz naturel.
- Un test d'odeur effectué périodiquement autour de la fournaie ou à proximité de ses joints; c.-à-d. le tuyau, les raccords, etc., est une bonne mesure de sécurité à faire en tout temps. Si vous sentez une odeur, et ce peu importe son importance, communiquez IMMÉDIATEMENT AVEC VOTRE FOURNISSEUR DE GAZ COMBUSTIBLE. N'ATTENDEZ PAS!

1. Ne pas tenter d'installer, de réparer ou d'effectuer la maintenance de cette fournaie ou de la conduite d'alimentation en gaz, sauf si vous avez une formation permanente et des connaissances d'experts des fournaies au gaz.

QUALIFICATIONS NÉCESSAIRES POUR PROCÉDER À L'ENTRETIEN ET À L'INSTALLATION :

- a. Pour être un technicien en entretien et en réparation de fournaie au gaz qualifié, vous devez avoir été formé en l'entretien et en réparation de fournaie au gaz, et aussi avoir une expérience suffisante pour vous permettre de résoudre les problèmes, de remplacer des pièces défectueuses et de tester des fournaies afin de les mettre en état de fonctionnement normal et sécuritaire. Vous devez vous familiariser entièrement avec chaque modèle en lisant et en respectant les consignes de sécurité, les étiquettes, le manuel du propriétaire, etc. qui sont fournis avec chaque fournaie.
 - b. Pour être un technicien qualifié en installation de fournaie au gaz, vous devez disposer d'une formation et d'une expérience pertinentes pour gérer tous les aspects de l'installation, de la réparation et de la modification des conduites de gaz, y compris la sélection et l'installation de l'équipement approprié, ainsi que la sélection de la dimension adéquate du tuyau devant être utilisé. Cela doit être fait en conformité avec tous les codes locaux, provinciaux et nationaux ainsi qu'avec les exigences du fabricant.
2. Toutes les installations ou les applications des fournaies de L.B. White Co., doivent répondre aux exigences des codes locaux, provinciaux et nationaux en matière de gaz naturel, de gaz de pétrole liquéfiés, d'électricité et de sécurité. Vos fournisseur de gaz, électricien agréé local, service d'incendie local et organismes gouvernementaux peuvent vous aider à déterminer ces exigences. En l'absence de codes locaux, respecter les conditions suivantes :
 - a. Installations des États-Unis :
 - Dernière révision de la norme ANSI/NFPA 58 en matière de stockage et de manipulation des gaz de pétrole liquéfiés ou
 - Norme ANSI Z223.1/NFPA 54, Code national du gaz combustible
 - Norme ANSI/NFPA 70, Code national de l'électricité.
 - b. Installations du Canada :
 - Normes CAN1-B149.1 ou CAN1-B149.2 du Codes de l'installation
 - Norme CSA C221, Partie 1 du Code canadien de l'électricité. Norme CSA C22.2 n° 3, Caractéristiques électriques des appareils de combustion.
 3. Ne pas déplacer, manipuler, ou réparer une fournaie en fonctionnement ou branchée à une source d'alimentation ou de carburant.
 4. Cette fournaie peut être installée dans des zones soumises à un lavage. Seul le boîtier externe de cette fournaie peut être lavé — Se reporter aux instructions de nettoyage. Ne pas laver l'intérieur de l'appareil. Utiliser uniquement de l'air comprimé, une brosse à poils souples ou un chiffon sec pour nettoyer l'intérieur de l'appareil et ses composants. Après lavage externe, ne pas faire fonctionner cette fournaie jusqu'à ce qu'elle soit complètement sèche. Dans tous les cas, ne pas faire fonctionner la fournaie pendant au moins une heure après un lavage externe.
 5. Par mesure de sécurité, cet appareil est équipé d'un limiteur de température manuel et d'un pressostat à l'air. Ne jamais faire fonctionner cet appareil avec un dispositif de sécurité qui a été contourné. Ne pas faire fonctionner cet appareil à moins que ces caractéristiques soient pleinement opérationnelles.
 6. Ne pas faire fonctionner la fournaie pendant que sa porte est ouverte ou que le panneau est enlevé.
 7. Ne pas placer des récipients de gaz combustible ou des tuyaux d'alimentation en carburant dans les 6 m (20 pi) de la sortie du ventilateur de la fournaie.
 8. Ne pas obstruer les entrées ou sorties d'air d'évacuation de la fournaie. Cela peut entraîner une mauvaise combustion ou endommager les composants de la fournaie se traduisant par des dommages matériels ou la perte d'animaux.

9. L'ensemble de tuyau doit être inspecté visuellement chaque année. S'il est évident qu'il y a une abrasion ou une usure excessive, ou si le tuyau est coupé, il doit être remplacé avant que la fournaise ne soit mise en service. En cours d'utilisation, l'ensemble du tuyau doit être protégé contre les animaux, les matériaux de construction et le contact avec des surfaces chaudes. L'ensemble de tuyau doit être celui précisé par le fabricant. Consulter la liste des pièces.
10. Avant de produire le repeuplement ou en cas de déplacement, vérifier la présence de fuites de gaz et le bon fonctionnement lors de l'installation de la fournaise.
11. Avant tout repeuplement et au moins une fois par année, cette fournaise doit être inspectée par un technicien qualifié pour en assurer le bon fonctionnement.
12. Toujours couper l'alimentation en gaz de l'appareil en cas d'utilisation de la fournaise pour chauffer du bétail.
13. Le chauffe-eau est fourni avec une fiche à trois broches (mise à la terre) pour vous protéger contre le risque d'électrocution et elle doit être branchée directement dans une prise à trois broches. Ne pas utiliser une prise électrique correctement mise à la terre peut provoquer une décharge électrique, des blessures voire la mort.
14. Dans une installation de type suspendu, un tuyau rigide ou un tube de cuivre couplé directement à la fournaise peut causer des fuites de gaz pendant le mouvement, ce type de tuyau ne doit donc pas être utilisé. Utiliser uniquement des ensembles de tuyaux de gaz qui sont évalués et approuvés pour le propane et le gaz naturel dans un type d'installation suspendue.
15. Les installations qui n'utilisent pas le tuyau de gaz fourni avec cet appareil doivent se connecter dimensionnellement en utilisant la norme nationale américaine en matière de tuyau en acier forgé et en fer forgé B36/10-1970. (Les tuyaux ou les tubes en aluminium ne doivent pas être utilisés.) Lorsque des tuyaux de cuivre sont utilisés pour transporter du gaz naturel, ils doivent être étamés à l'intérieur ou traités d'une façon équivalente afin de résister au soufre.

Instructions générales d'installation



AVERTISSEMENT Incendie et explosion

Peut causer des dommages matériels, des blessures graves voire mortelles.

1. Couper l'alimentation avant d'effectuer le câblage pour éviter une décharge électrique ou des dommages matériels.
2. Pour éviter l'accumulation dangereuse de gaz combustible, couper l'alimentation en gaz du robinet de service de l'appareil avant de commencer l'installation et avant d'effectuer un test de fuite de gaz une fois l'installation terminée.
3. Ne pas forcer le bouton de commande du gaz. Utiliser seulement votre main pour tourner le bouton de commande du gaz. Ne jamais utiliser d'outils. Si le bouton ne peut être activé manuellement, la commande doit être remplacée par un technicien qualifié. Toute force ou tentative de réparation pourrait provoquer un incendie ou une explosion.

1. Lire toutes les précautions de sécurité et suivre les recommandations de L. B. White lors de l'installation de cette fournaise. Si pendant l'installation ou la relocalisation de la fournaise vous pensez qu'une pièce s'est endommagée ou qu'elle est défectueuse, appeler un atelier de réparation qualifié pour qu'il effectue une réparation ou un remplacement.
2. S'assurer que la fournaise est correctement positionnée et de niveau avant son utilisation. Respecter toutes les distances de sécurité minimales entre la fournaise et les matériaux combustibles les plus proches. Les distances de sécurité minimales sont indiquées sur la plaque signalétique de la fournaise ainsi qu'à la page 4 du présent manuel.
3. La fournaise est approuvée pour une utilisation intérieure.
4. Le régulateur de gaz approprié doit être installé pour l'application de la fournaise. Un régulateur doit être connecté à l'alimentation en gaz de sorte que la pression du gaz à l'entrée du robinet de gaz soit en tout temps régulée dans la plage précisée sur la plaque d'identification. Communiquez avec votre fournisseur de gaz ou avec L.B. White Co., Inc. si vous avez des questions.
5. Le régulateur de gaz de la fournaise (avec soupape de décharge de pression) doit être installé à l'extérieur du bâtiment. Tous les régulateurs se trouvant à l'intérieur des bâtiments doivent être évacués à l'extérieur. Les codes locaux, régionaux et nationaux s'appliquent toujours à l'installation du régulateur. Les régulateurs de gaz naturel avec dispositif de limitation de la ventilation peuvent être installés à l'intérieur sans ventilation vers l'extérieur.
6. Tous les régulateurs de pression de gaz doivent être installés en respectant scrupuleusement les consignes de sécurité du fabricant. Ces instructions accompagnent chaque régulateur.

7. S'assurer que tous les accessoires livrés dans la fournaise en ont été retirés et qu'ils ont été installés. Cela concerne les déflecteurs d'air, le tuyau, les régulateurs, etc.
8. S'assurer qu'un piège à sédiments est installé à l'entrée de gaz pour empêcher les matières étrangères (composé, éclats et écailles de tuyaux) d'entrer dans la vanne de gaz. Des débris soufflés dans la vanne de gaz peuvent causer un dysfonctionnement entraînant une grave fuite de gaz qui pourrait provoquer un incendie ou une explosion entraînant la perte possible de produits, du bâtiment ou des décès. Un piège à sédiments correctement installé empêchera les matériaux étrangers de pénétrer dans la vanne de gaz et protégera le fonctionnement sécuritaire de cette importante composante de sécurité.
9. Toute fournaise reliée à un système de tuyauterie doit comporter un robinet d'arrêt approuvé accessible à 1,82 m (6 pi) de la fournaise.
10. Toujours vérifier s'il y a des fuites de gaz aux raccords à l'aide de détecteurs de fuites de gaz approuvés. La détection des fuites de gaz est effectuée comme suit :

- Vérifier toutes les connexions des raccords et des conduites, ainsi que les raccords et les adaptateurs en amont de la commande de gaz au moyen de détecteurs de fuites de gaz approuvés.



AVERTISSEMENT **Incendie et explosion**

- Ne pas utiliser de flamme nue (allumettes, torches, bougies, etc.) pour vérifier des fuites de gaz.
- Utiliser des détecteurs de fuites approuvés.
- Le non-respect de cet avertissement peut provoquer des incendies ou des explosions.
- Les incendies et les explosions peuvent causer des dommages matériels, des blessures voire la mort.

- Si une fuite de gaz est détectée, vérifier la propreté des composants impliqués et l'application adéquate de pâte à joint avant de serrer davantage.
- Resserer les raccords de gaz davantage que ce qui est nécessaire pour arrêter la fuite.
- Après la vérification de toutes les connexions et le colmatage de toute fuite, allumer le brûleur principal.
- Vous écarter tandis que le brûleur principal s'allume pour prévenir les blessures causées par les fuites cachées, ce qui pourrait entraîner un retour de flamme.
- Avec le brûleur principal en marche, vérifier toutes les connexions des raccords et des conduites, les joints ainsi que l'entrée du robinet de réglage de gaz et les connexions de sortie au moyen de détecteurs de fuites de gaz approuvés.
- Si une fuite est détectée, vérifier la propreté des filets et

l'application adéquate de pâte à joint avant de serrer davantage.

- Resserer le raccord de gaz autant que nécessaire pour arrêter la fuite.
- Le cas échéant, si la fuite ne peut être arrêtée, remplacer les pièces ou composants en cause.
- S'assurer que toutes les fuites de gaz ont été identifiées et colmatées avant de poursuivre.
11. Un atelier de réparation qualifié doit vérifier la pression du gaz de fonctionnement adéquate lors de l'installation de l'appareil.
12. Allumer conformément aux instructions sur la fournaise ou dans le manuel du propriétaire.
13. Il est extrêmement important d'utiliser la taille et le type de conduite d'alimentation de gaz adéquate pour assurer le bon fonctionnement de l'appareil. Communiquez avec votre fournisseur de gaz combustible pour lui faire effectuer l'installation et pour connaître le dimensionnement de conduite adéquat.
14. Cette fournaise peut être configurée pour être utilisée avec un soutirage de la vapeur des gaz de pétrole liquéfiés ou du gaz naturel. Consulter la plaque signalétique, située à l'intérieur de la porte du côté brûleur ou du côté moteur, pour la configuration en gaz de la fournaise en particulier. Ne pas utiliser l'appareil dans un système ou une application de prélèvement de liquide de gaz de pétrole liquéfiés. Si vous avez des doutes, communiquer avec L.B. White Co., LLC.
15. Finalement, comme tous les appareils électriques/mécaniques, le thermostat peut connaître des défaillances. Une panne du thermostat peut entraîner un chauffage insuffisant ou une surchauffe, ce qui peut endommager les produits essentiels ou causer des blessures voire la mort de l'animal. Les produits essentiels et les animaux doivent être protégés par un système de commande de secours distinct qui limite les températures basses et élevées et active également les alarmes appropriées.
16. Prendre le temps de comprendre comment utiliser et entretenir la fournaise à l'aide de ce mode d'emploi. S'assurer de savoir comment couper l'alimentation en gaz du bâtiment et également celui de la fournaise. Communiquez avec votre fournisseur de gaz combustible si vous avez des questions.
17. Toute défaillance constatée dans l'exécution de l'une des procédures d'entretien ou de maintenance doit être corrigée et les pièces défectueuses doivent immédiatement être remplacées. la fournaise doit être testée de nouveau par le personnel de service dûment qualifié avant de la remettre en utilisation.
18. Ne pas dépasser la consommation thermique

apposée sur la plaque signalétique de l'appareil. Ne pas dépasser la pression d'admission du brûleur indiquée sur la plaque signalétique. Ne pas utiliser une dimension d'orifice différente de celle précisée pour la consommation thermique précisée pour cette fournaise, la configuration de son type de combustible et son altitude.

Instructions d'installation du dispositif de déviation d'air

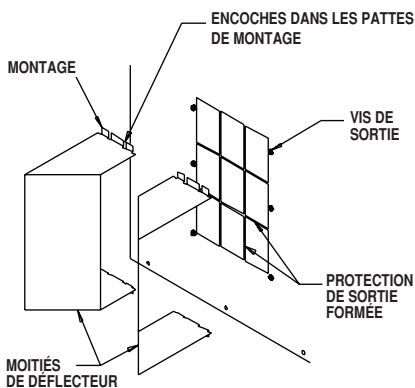
Instructions
(Doit être commandé séparément)

(L'aspect de la sortie de la fournaise peut varier d'un modèle à un autre.)

- Des déflecteurs d'air peuvent être installés dans la sortie de la fournaise pour orienter l'air chaud tandis qu'il sort de la fournaise. Parmi les options d'installation, on trouve l'installation des déflecteurs de manière à largement distribuer l'air dans deux voies de 45 degrés ou de concentrer le débit d'air dans une seule direction de 45 degrés. Consulter la Figure 1.
- La forme des déflecteurs d'air peut devoir être formée manuellement avant l'installation. Faire des coudes de 90 degrés en utilisant les perforations prévues. Le dériveur devrait alors avoir la forme représentée sur la Figure 1.
- Les onglets de déviation de l'air de chaque moitié s'inséreront dans la sortie de l'unité de sortie d'air, entre l'intérieur et la sortie du boîtier de l'unité de sortie d'air. Si les languettes crantées ne s'insèrent pas dans la sortie de l'unité de sortie d'air, desserrer (ne pas retirer) les vis de l'unité de sortie d'air. En agissant de la sorte, un espace sera fourni dans lequel il sera possible d'insérer les onglets. Resserrer les vis après l'installation.

FIGURE 1

(Installation standard permettant deux sens de circulation d'air.)



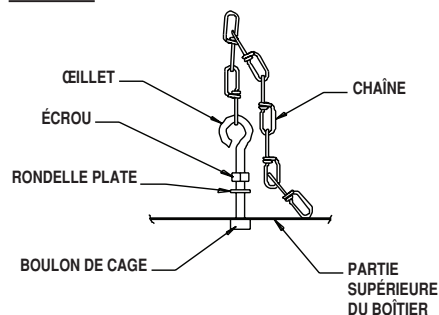
Différentes installations du dispositif de déviation d'air



Kit de suspension (Doit être commandé séparément)

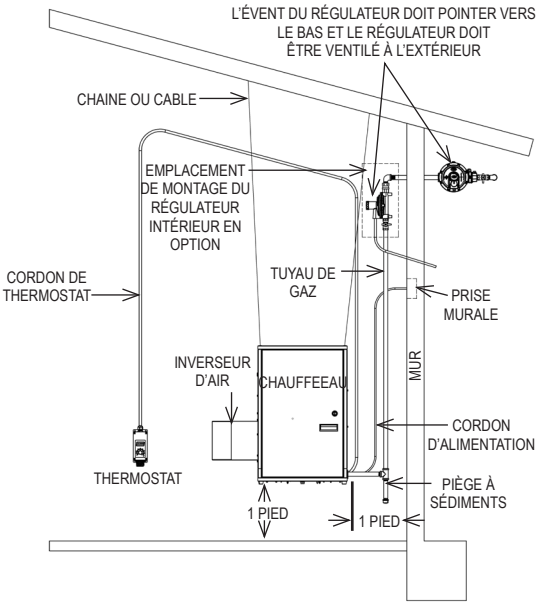
- Assembler les boulons à œil et la chaîne selon la Figure 2.
- Bien serrer la quincaillerie.

FIGURE 2



- S'assurer que la fournaise est solidement fixée et qu'elle est de niveau. (Vérifier la longueur et la largeur.)
- Consulter la Figure 3 pour voir une installation intérieure type. Dans un bâtiment de confinement des animaux, il faut s'assurer que la fournaise est éloignée de l'élevage en sorte que le bétail ne puisse en aucune façon se heurter à la fournaise, la décrocher de son support, ou l'endommager la fournaise ainsi que sa conduite d'alimentation en gaz. S'assurer de respecter toutes les distances de sécurité minimales entre la fournaise et les matériaux combustibles comme indiqué dans la section des spécifications du présent manuel du propriétaire et de la fournaise même.

FIGURE 3



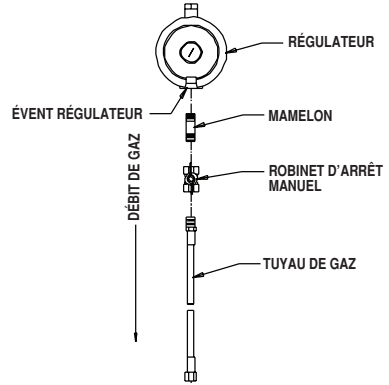
Robinet d'arrêt manuel, conduite et régulateur (Doit être commandé séparément)

1. Toujours utiliser du composé de tuyau fileté approuvé adapté pour une utilisation avec des raccords filetés pour les gaz de pétrole liquéfiés ou le gaz naturel.
2. Assembler les composants selon la Figure 5. Ce point de vue montre l'ensemble général des composants uniquement. Le régulateur doit toujours être monté de sorte que son évent, indépendamment de son emplacement sur le régulateur, est toujours dirigé vers le bas.

NOTE: Le régulateur doit toujours être monté à l'extérieur. Si les circonstances forcent l'installation du détendeur à l'intérieur, l'évent du détendeur doit être ventilé vers l'extérieur en utilisant une conduite d'évent pas plus petite que l'ouverture d'évent du détendeur. Reportez-vous à la norme NFPA 54, National Fuel Gas Code Handbook, CAN B149.1, CAN B149.2 et aux codes locaux, le cas échéant.

3. Serrer tous les raccords.
4. Toujours vérifier s'il y a des fuites de gaz aux raccords à l'aide de détecteurs de fuites de gaz approuvés.

FIGURE 4



Installation du thermostat (Doit être commandé séparément)



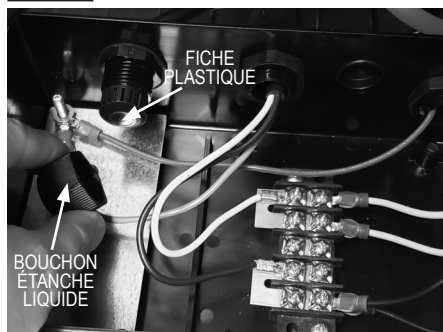
AVERTISSEMENT

Risque de décharge électrique

- Débrancher l'alimentation électrique avant de connecter le thermostat de la fournaise.
- Le non-respect de cet avertissement peut entraîner une décharge électrique, se traduisant par des blessures voire la mort.

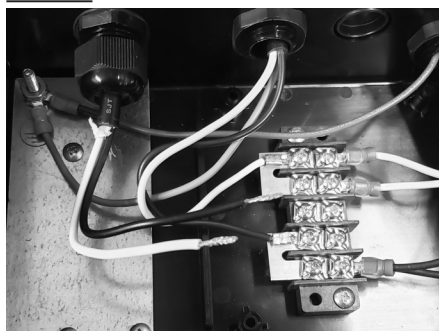
1. **Pour connecter le robinet de série, connecter la trousse de thermostat (500-09454) :**
 - a. Brancher le cordon d'alimentation de la fournaise au côté femelle de la fiche se trouvant à l'extrémité du cordon d'alimentation du thermostat de la trousse.
 - b. Brancher le côté masculin de la fiche de dérivation de série du robinet sur le cordon de la trousse du thermostat une prise de courant (mise à la terre) à trois fils.
2. **Pour connecter la trousse de thermostat (500-20176) à raccord direct à la fournaise :** L'installation et le câblage du thermostat doivent être effectués par un électricien ou une personne dûment qualifiée. Le câblage du thermostat doit être de calibre 18 minimum.
 - a. Desserrez les deux vis cruciformes qui fixent le couvercle du boîtier de commande.
 - b. Retirez le couvercle du boîtier de commande.
 - c. Retirez le capuchon du connecteur étanche aux liquides et le bouchon en plastique noir. Voir la figure 5.

FIGURE 5



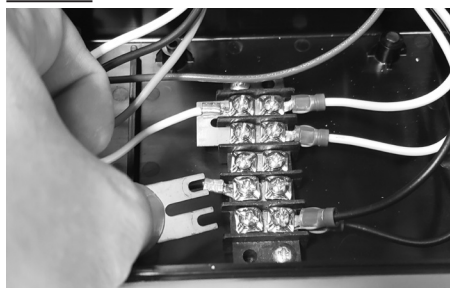
- d. Insérez les fils du thermostat à travers le connecteur étanche aux liquides et le capuchon.
e. Coupez les deux bornes femelles à connexion rapide des fils du thermostat et dénudez les fils à 1/4 po. Voir. 6.

FIGURE 6



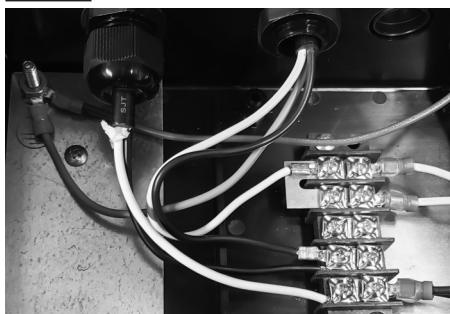
- f. Desserrez les vis du cavalier inférieur et retirez le cavalier. NE PAS retirer le fil noir du bornier. Voir. Fig. 7.

FIGURE 7



- g. Insérez le fil noir du thermostat au fil noir sur le bornier. Serrez la vis.
h. Insérez le fil blanc du thermostat à la vis inférieure du bornier. Serrez la vis. Voir Fig.8.

FIGURE 8

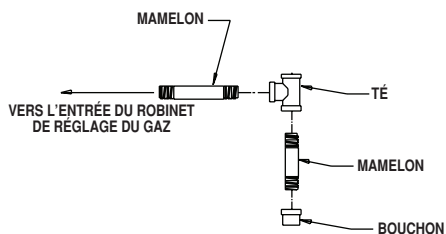


- i. Serrez le capuchon étanche autour du corps du connecteur.
j. Installez le couvercle du boîtier de commande et fixez-le.
k. Démarrez le chauffage et vérifiez son bon fonctionnement.

Assemblage du piège à sédiments

Assembler le T, les manchons filetés et les bouchons et les serrer. Consulter la Figure 9. L'ensemble du piège à sédiments doit toujours être monté en position verticale. S'assurer que du composé de filetage qui est résistant à la fois aux gaz de pétrole liquéfiés et au gaz naturel est utilisé sur tous les raccords. Toujours vérifier s'il y a des fuites de gaz aux raccords à l'aide de détecteurs de fuites de gaz approuvés.

FIGURE 9

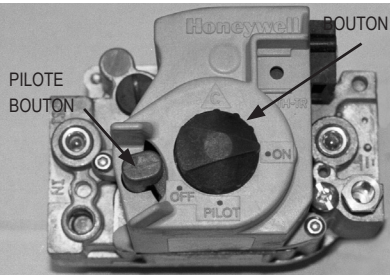


Instructions de démarrage

Suivre les étapes 1 à 8 lors du démarrage initial après l'installation de la fournaise par technicien qualifié en entretien et réparation de fournaise au gaz. Pour un démarrage normal, il suffit de tourner le thermostat à un niveau supérieur à la température ambiante. La fournaise se mettra en marche.

1. Ouvrir toutes les vannes d'approvisionnement manuel en carburant et vérifier les fuites de gaz à l'aide de détecteurs de fuites approuvés.
2. Le robinet de réglage du gaz comprend une fonction d'arrêt manuel du gaz. Positionner l'indicateur sur le bouton d'arrêt à PILOT.
3. Tout en appliquant une flamme à l'orifice de la veilleuse, appuyer à fond sur le bouton rouge de la veilleuse, il est situé sur le robinet de réglage. Consulter la Figure 10.
4. Maintenir le bouton enfoncé pendant environ 30 secondes pour permettre au thermocouple de se réchauffer afin que la veilleuse reste ainsi allumée une fois son bouton de relâché. Sur les nouvelles installations, il peut s'écouler environ une minute pour le gaz purge l'intégralité de l'air se trouvant encore dans la conduite de la veilleuse et que cette dernière s'allume.
5. Placer le bouton en position de marche (ON)
6. Brancher le cordon électrique dans une prise approuvée.

FIGURE 10



7. Régler le thermostat à la température ambiante souhaitée. La fournaise se mettra en marche. Réinitialiser le thermostat à la température ambiante souhaitée.
8. Ne pas dépasser la consommation thermique apposée sur la plaque signalétique de l'appareil ou la pression de l'orifice du brûleur recommandée par le fabricant en fonction des tailles d'orifices utilisés.

Instructions d'arrêt

Suivre les étapes 1 à 4 si la fournaise est à l'arrêt pour le nettoyage, l'entretien ou la réparation. Sinon, tourner simplement le thermostat à ARRÊT ou à Aucune chaleur pour l'arrêter de façon standard.

1. Fermer toutes les vannes manuelles d'approvisionnement en carburant.
2. Une fois la fournaise allumée, lui permettre de brûler l'excès de carburant dans le tuyau d'alimentation en gaz.
3. Placer le thermostat en position Arrêt ou aucune chaleur.
4. Débrancher l'alimentation électrique de la fournaise.

Sortie de chaleur

1. Certains modèles de fournaises alimentées aux gaz de pétrole liquéfiés ou au gaz naturel comportent une soupape d'étranglement pour faire varier la production de chaleur, celle-ci est située entre le robinet de réglage du gaz et le collecteur de gaz. Consulter la Figure 11. CECI N'EST PAS UN ROBINET D'ARRÊT MANUEL DU GAZ.
2. La soupape d'étranglement peut être ajustée pour fournir un minimum ou un maximum de chaleur. Lorsque la poignée de la soupape d'étranglement est parallèle au débit du gaz, la vanne est complètement ouverte afin de fournir la puissance calorifique maximale. La soupape d'étranglement peut être ajustée à la puissance calorifique minimale en tournant la poignée à 90° par rapport au débit du gaz ou une position quelconque entre les paramètres maximal et minimal. Consulter la Figure 12)

FIGURE 11

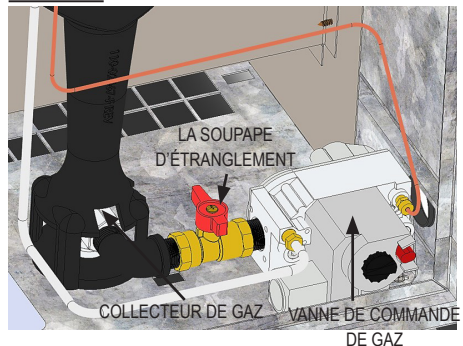
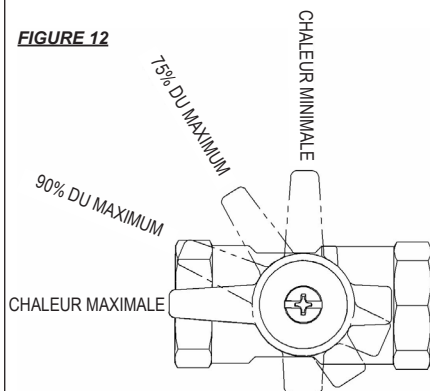


FIGURE 12



Instructions de nettoyage

AVERTISSEMENT

Danger d'incendie, de brûlure et d'explosion

- Cette fournaise contient des composants électriques et mécaniques dans les systèmes de gestion du gaz, de la sécurité et de la circulation de l'air.
- Ces composants peuvent devenir inopérants ou défaillir à cause de la poussière, la saleté, l'usure, le vieillissement ou l'atmosphère corrosive d'un bâtiment de confinement des animaux.
- Un nettoyage et une inspection périodiques ainsi que l'entretien adéquat sont essentiels pour éviter les blessures ou les dommages graves.

1. Avant le nettoyage, fermer le robinet d'alimentation en carburant de la fournaise et débrancher l'alimentation électrique.
2. Toute saleté ou poussière doit périodiquement être enlevée de la fournaise :
 - a. Après chaque troupeau ou entre chaque repeuplement, nettoyer de façon générale la fournaise en utilisant de l'air comprimé ou une brosse à poils souples à l'intérieur et à l'extérieur. À cette étape, dépoussiérer le boîtier du moteur pour éviter qu'il ne surchauffe et ne désactive la fournaise.
 - b. Au moins une fois par an, nettoyer la fournaise en profondeur. À cette étape, retirer l'ensemble du ventilateur et du moteur et brosser ou souffler sur la roue du ventilateur, en accordant une attention particulière à chaque pale. S'assurer en outre que les ports du venturi d'entrée d'air du brûleur et de la gorge du boîtier interne sont libres de poussière et que la zone entre le haut de la chambre de chaleur et le boîtier intérieur est également exempte de poussière.
 - c. En lavant avec de l'eau, il importe d'observer en permanence les instructions de nettoyage. Ce même avertissement est également apposé sur la fournaise.

AVERTISSEMENT

Seul le boîtier externe de cette fournaise peut être lavé, à condition que :

- A. La fournaise est débranchée de l'alimentation électrique.
- B. Tous les panneaux d'accès soient bien fermés.
- C. La buse de pulvérisation d'eau ne doit rien décharger dans un rayon de 1,83 m (6 pi) de la fournaise.
- D. La pression de l'eau ne dépasse pas 45 lb/po² pendant 10 secondes de chaque côté de la fournaise.
- E. La fournaise n'est pas rebranchée à l'alimentation électrique pendant au moins une heure ou jusqu'à ce que la fournaise est complètement sèche.

Un mauvais nettoyage de la fournaise peut causer des blessures graves ou des dégâts matériels en raison de l'eau ou de la solution de nettoyage :

1. Dans les composants électriques, les raccordements et les fils provoquant une décharge électrique ou une défaillance de composant.
2. Sur les composants de commande de gaz provoquant de la corrosion qui peuvent entraîner des fuites de gaz se traduisant par un incendie ou une explosion.

Nettoyer les composants internes de la fournaise avec une brosse à poils souples et secs, un chiffon ou de l'air comprimé.

Instructions de maintenance

1. Demander à votre fournisseur de gaz de vérifier annuellement toutes les conduites de gaz afin d'y déceler des fuites ou des restrictions. En outre, à cette étape, demander à votre fournisseur de gaz d'enlever tous les débris qui se sont accumulés dans le piège à sédiments.
- 2. Les environs de la fournaise doivent demeurer propres et exempts de matériaux combustibles, d'essence et de toute autre vapeur et tout autre liquide inflammable.**
3. Les régulateurs peuvent s'user et fonctionner incorrectement. Demander à votre fournisseur de gaz de vérifier les codes de date sur tous les régulateurs installés ainsi que la pression de livraison de l'appareil pour vous assurer que le régulateur est fiable.
4. Les régulateurs doivent être inspectés périodiquement pour assurer que les événements de régulation ne sont pas bloqués. Les débris, les insectes, les nids d'insectes, la neige ou la glace sur un régulateur peuvent bloquer les ouvertures et provoquer une pression excessive sur l'appareil.
5. Revoir toutes les inscriptions de la fournaise (c'est-à-dire les avertissements, le démarrage/arrêt, câblage électrique, schémas, etc.) pour en assurer la lisibilité. Vérifier qu'aucune n'est coupée, déchirée ou endommagée. Toute inscription endommagée doit être immédiatement remplacée en communiquant avec L.B. White Co., LLC. Les inscriptions sont disponibles sans frais.
6. Avant chaque utilisation, inspecter les tuyaux de gaz afin d'y déceler des ébarbures, des coupures ou des raccords corrodés. **Remplacer l'intégralité de l'ensemble du tuyau de gaz si des défauts sont constatés.**
7. Inspecter les connexions et les câbles électriques de la fournaise. Remplacer tous les terminaux qui sont corrodés et tous les fils qui sont coupés ou entaillés.

Instructions d'entretien courant



AVERTISSEMENT

Risque de brûlure

- Les surfaces de la fournaise sont chaudes pendant une certaine période après l'arrêt de la fournaise.
- Laisser la fournaise refroidir l'appareil avant d'en effectuer le service courant, la maintenance ou le nettoyage.
- Le non-respect de cet avertissement pourrait entraîner des brûlures.



AVERTISSEMENT

Incendie et explosion

- Ne pas démonter ou tenter de réparer les composants de la fournaise ou les composants du terminal de gaz comme les robinets ou les tuyaux de gaz.
- Tous les composants doivent être remplacés si des défauts sont constatés.
- Le non-respect de cet avertissement peut causer un incendie ou une explosion, causant des dommages matériels, des blessures voire la mort.

1. Fermer le robinet d'alimentation en carburant de la fournaise et débrancher l'alimentation électrique avant d'effectuer l'entretien, à moins que cela ne soit requis pour votre procédure de service.

2. Nettoyer l'orifice de la fournaise avec de l'air comprimé ou un chiffon doux et sec. Ne pas utiliser des limes, des perceuses, des broches, etc., pour nettoyer l'orifice. Cela agrandirait le trou, provoquant des problèmes de combustion ou d'allumage. Remplacer l'orifice s'il ne peut pas être correctement nettoyé.

3. L'interrupteur de fin de course et le commutateur de vérification de l'air peuvent être testés en :

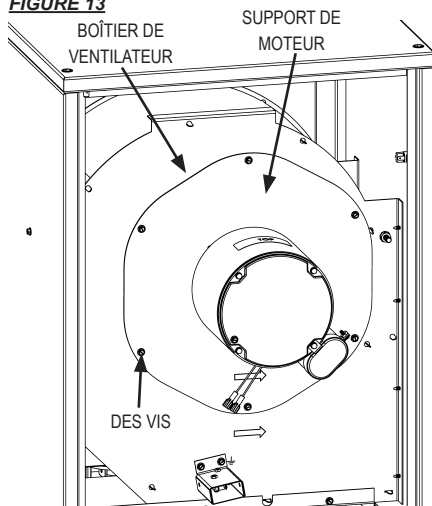
- Débranchant les câbles au niveau du composant, et pontant les fils.
- Rebranchant l'alimentation électrique et en ouvrant les robinets d'alimentation en carburant.
- Si la fournaise s'allume, le composant est défectueux et doit être remplacé.
- Ne pas laisser le cavalier activé ou faire fonctionner la fournaise si la pièce est défectueuse. Remplacer la pièce immédiatement.
- Une autre méthode de vérification des composants consiste à effectuer un contrôle de continuité.

4. Ouvrir le panneau du boîtier respectif pour accéder aux composants du brûleur ou du ventilateur. Ouvrir le boîtier de commande pour accéder au dispositif de commande d'allumage et au transformateur.
5. Débrancher les fils électriques appropriés lors du remplacement des composants.
6. Pour le remontage, inverser la procédure respective. S'assurer que les raccords de gaz sont bien serrés.
7. Après l'entretien, démarrer la fournaise pour assurer son bon fonctionnement et vérifier s'il y a des fuites de gaz.

Assemblage du moteur et du ventilateur

1. Déposer les vis de la plaque du support du moteur et soulever le ventilateur et le moteur du boîtier. Consulter la Figure 15.
2. Desserrer la vis à tête carrée de la roue du ventilateur.
3. Tirer la roue du ventilateur de l'arbre du moteur. Utiliser un extracteur de roue, le cas échéant.
4. Retirer les quatre (4) écrous retenant le moteur à la plaque de montage.

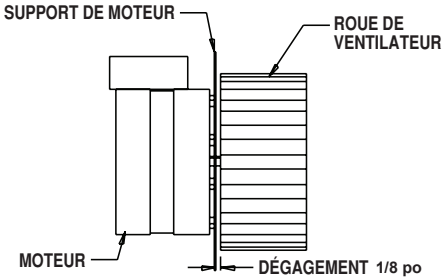
FIGURE 13



REMARQUES :

- L'espacement entre la roue du ventilateur et la plaque de support du moteur doit être ajusté selon le jeu précisé ci-dessous avant de serrer la roue du ventilateur à l'arbre du moteur. Consulter la Figure 14.
- S'assurer que la vis de réglages du ventilateur est sur les méplats de l'arbre du moteur au moment du serrage.

FIGURE 14



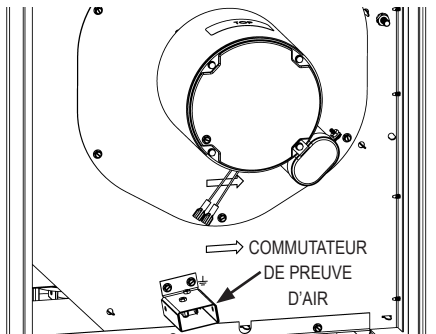
Interrupteur de vérification de l'air

Le interrupteur de vérification de l'air est situé sur le boîtier du ventilateur du côté du moteur de la fournaise. Consulter la Figure 15.

Le de interrupteur de vérification de l'air doit fonctionner correctement pour permettre l'allumage. Il est branché en série avec l'interrupteur de fin de course, qui est alors branché en série avec le robinet de réglage du gaz. L'allumage ne se produira pas si les contacts interrupteur de vérification de l'air ne se ferment pas lors d'un appel de chaleur après le démarrage du moteur du ventilateur.

- Retirez les deux (2) vis à tôle qui maintiennent l'interrupteur avec le support au boîtier du ventilateur.
- Retirez l'ensemble en tournant l'interrupteur afin que la palette du bras de l'interrupteur puisse être tirée à travers le trou oblong sur le côté du boîtier du ventilateur.

FIGURE 15



Thermocouple

- Retirez l'écrou du connecteur de fil du thermocouple vissé dans la soupape de commande de gaz. Voir la figure 17.
- Tirez fermement sur le thermocouple pour le dégager du support de la veilleuse.

- Le thermocouple est un important dispositif de sécurité qui travaille directement avec le robinet de réglage de la veilleuse. Il ne doit être uniquement remplacé par le thermocouple au numéro de référence indiqué dans la liste des pièces.
- Lorsque vous vissez de nouveau l'écrou du thermocouple dans l'unité d'alimentation du robinet de réglage du gaz, visser bien l'écrou manuellement et non avec une clé. NE PAS SERRER OU UTILISER PLUS DE FORCE QUE NÉCESSAIRE LORS DU SERRAGE DE L'ÉCROU. Cela détruirait l'unité d'alimentation du robinet de réglage du gaz.

FIGURE 16

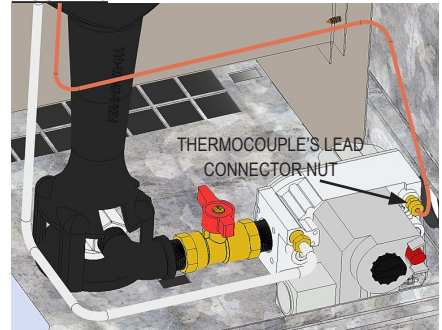
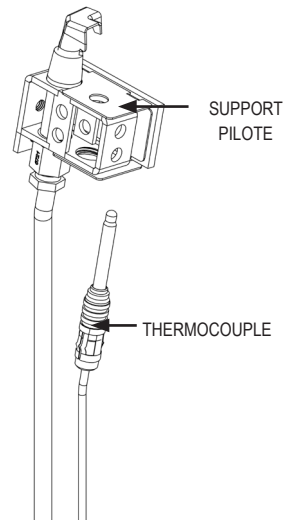


FIGURE 17

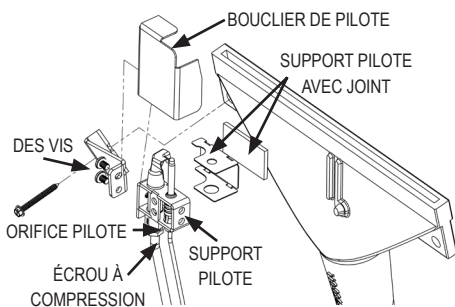


Ensemble de la veilleuse

Voir la figure 18 pour ce qui suit.

1. Retirez la vis de coulée du brûleur gauche.
2. Retirez les deux vis cruciformes fixant le support à la veilleuse.
3. Faites glisser le blindage de la veilleuse vers le haut, exposant le support de la veilleuse, l'orifice de la veilleuse et le thermocouple.
4. À l'aide d'une brosse douce ou d'air comprimé, nettoyez la cheminée de la veilleuse de la poussière et de la saleté, en faisant attention à la gorge de la cheminée de la veilleuse et au diffuseur de flamme au sommet de la cheminée.
5. Brossez le haut de l'orifice de la veilleuse, en vous assurant que la poussière et la saleté n'ont pas bouché le trou de l'orifice.
6. Entretien de l'orifice de la veilleuse :
 - Desserrer le raccord de compression et retirer le tube de la veilleuse de l'entrée de l'orifice de la veilleuse
 - Retirer l'orifice de la veilleuse du support de la veilleuse.
 - Porter l'orifice à la lumière afin de constater si le trou de l'orifice est ouvert. Dans le cas contraire, nettoyer à l'air.
 - Consulter la Figure 19 à des fins de comparaison. Veiller à ce que l'orifice de la veilleuse adéquat soit installé pour le carburant utilisé.

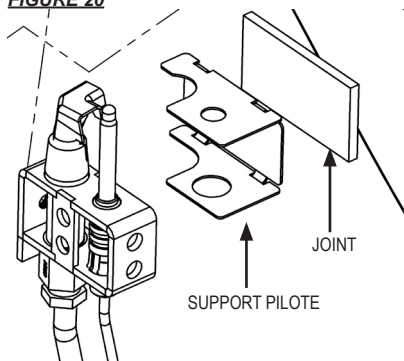
FIGURE 18



- Orifice LP (illustré) estampillé 4712
- Orifice NG estampillé 6721

Évitez d'endommager le joint situé entre la veilleuse et le brûleur. Des dommages ou un joint manquant entraîneront une panne de la veilleuse. Assurez-vous que le joint est correctement positionné sur le support de la veilleuse avant de remonter l'ensemble de la veilleuse. Voir la figure 20.

FIGURE 20



Orifice du brûleur et robinet de réglage du gaz

1. Enlever ce qui suit :
 - Le tuyau et la trappe à sédiments de la fournaise.
 - Vis de montage de coulée de brûleur.
 - Vis de support à l'entrée du robinet de réglage du gaz.
 - Le boulon de retenue du brûleur de sous de la base.
2. Débrancher la conduite de la veilleuse, le thermocouple ainsi que les conducteurs électriques du robinet de réglage du gaz.
3. Faire pivoter le clapet/collecteur comme requis pour que l'orifice du collecteur se dégage du port du venturi du boîtier interne du brûleur. Consulter la Figure 24.
4. Remplacer les composants, le cas échéant.

FIGURE 21

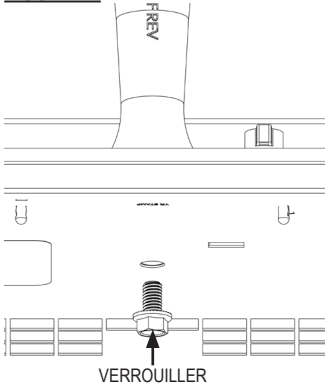
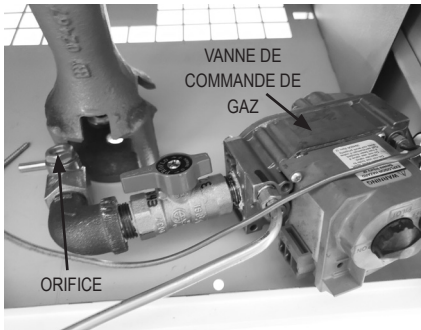


FIGURE 22



Interrupteur de fin de course



AVERTISSEMENT Risque d'incendie

- Ne pas faire fonctionner la fournaise si l'interrupteur de fin de course est contourné.
- Faire fonctionner une fournaise avec un interrupteur de fin de course contourné peut conduire à une surchauffe, ce qui pourrait causer un incendie, des dommages subséquents à la fournaise ou au bâtiment ainsi que des pertes de métal.

Cette fournaise utilise un interrupteur de fin de course pour protéger contre la surchauffe. L'interrupteur de fin de course est situé sur la chambre de chaleur, voir la Figure 23. Il est connecté entre la commande d'allumage et le robinet de commande du gaz.

Les contacts de l'interrupteur sont normalement fermés. Si une surchauffe se produit, les contacts de l'interrupteur s'ouvriront, ouvrant ainsi le circuit du robinet de réglage du gaz. L'interrupteur de fin de course doit être testé au moins une fois par an lorsque la fournaise nettoyée en profondeur.

1. Retirer l'interrupteur. En maintenant le commutateur par une de ses pattes de montage, appliquer une petite flamme uniquement dans la partie de détection à l'arrière de l'interrupteur. Consulter la Figure 24. **Ne pas faire fondre le boîtier en plastique de l'interrupteur lors de cet essai.**
2. En une minute, vous devriez entendre un bruit provenant de l'interrupteur, ce qui indique que les contacts de l'interrupteur se sont ouverts. Pour vérifier contacts sont ouverts, contrôler l'absence de continuité électrique entre les bornes du commutateur.
3. Laisser l'interrupteur refroidir pendant environ une minute avant d'appuyer fermement sur le bouton de réinitialisation du commutateur.
4. Vérifier la continuité électrique entre les bornes de l'interrupteur pour vous assurer que les contacts sont fermés.
5. Réinstaller l'interrupteur dans la fournaise. Rebrancher l'alimentation électrique de la fournaise. Démarrer la fournaise et en vérifier le bon fonctionnement.

FIGURE 23

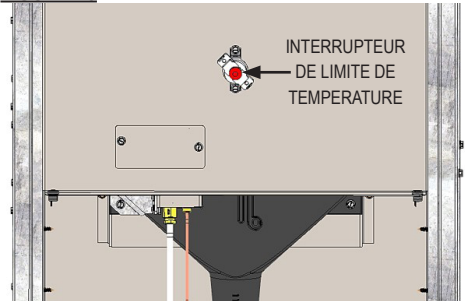
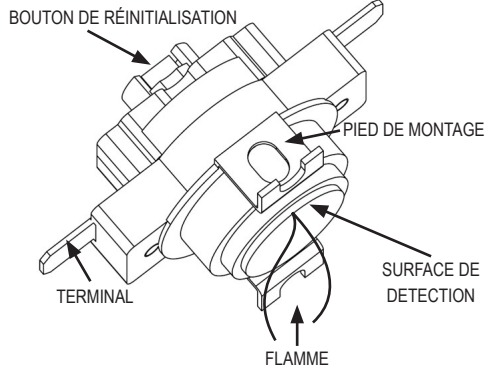


FIGURE 24



Vérifications de la pression du gaz



AVERTISSEMENT

- Ne pas démonter le robinet de réglage du gaz.
- Ne pas essayer de remplacer les composants du robinet de réglage du gaz.
- Le robinet de réglage du gaz doit être remplacé en cas de dommage physique se produisant à l'ensemble du robinet.
- Le non-respect de cet avertissement peut se traduire par un incendie ou une explosion, ce qui peut entraîner des blessures voir la mort d'êtres humains ainsi que des dommages matériels.

- Ce qui suit explique une procédure type à suivre pour contrôler les pressions de gaz.
- Les pressions de gaz varieront en fonction du type de carburant.
- Consulter la plaque signalétique sur la fournaise ou la page 4 du présent manuel pour connaître les pressions précises devant être utilisées en plus de cette procédure.
- La pression de gaz mesurée à l'entrée du robinet de gaz correspond à la pression d'arrivée et la pression de gaz mesurée à la sortie du robinet de gaz correspond à la pression d'admission du brûleur.

A. Préparation

1. Obtenir deux manomètres capables de lire jusqu'à 35 po de colonne d'eau
2. Débrancher l'alimentation électrique de la fournaise et fermer le robinet d'alimentation en carburant à l'entrée de la fournaise.
3. Ouvrir le panneau d'accès du brûleur.
4. Brosser ou enlever toute poussière et saleté sur le robinet de réglage du gaz ou à proximité de celui-ci.

B. Installation de manomètre

1. Repérer les robinets de pression d'entrée et de sortie, voir la Figure 25. Retirer le bouchon de surpression en utilisant une clé Allen de 3/16 po.
2. Connecter en toute sécurité un manomètre à chaque robinet de pression. Consulter la Figure 26.
3. Ouvrir les robinets d'alimentation en carburant de la fournaise et rebrancher l'alimentation électrique de la fournaise.
4. Démarrer la fournaise

C. Lectures de la pression

1. Alors que la fournaise est en marche, les manomètres doivent lire les pressions précisées sur la plaque signalétique.
2. Est-ce que les lectures à l'entrée et à la sortie des jauges de pression correspondent à celles précisées sur la plaque signalétique?
3. Si les pressions d'entrée ne correspondent pas à celle indiquée sur la plaque signalétique, la pression de gaz du régulateur contrôlant la fournaise nécessite un ajustement.
4. Si les pressions d'entrée sont adéquates et que la pression d'admission du brûleur ne convient pas à ce qui est précisé sur la plaque signalétique, cela signifie que le régulateur de pression interne du robinet de réglage du gaz nécessite un ajustement. Consulter la Figure 28 pour connaître l'emplacement du régulateur.

FIGURE 25

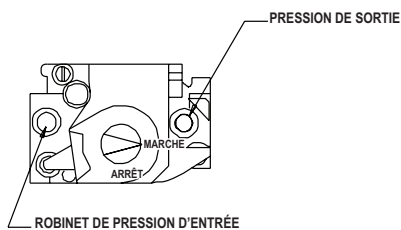
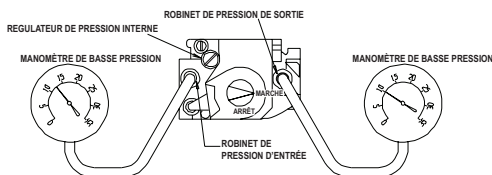


FIGURE 26



L'EXEMPLE MONTRÉ LA PRESSION POUR LE GAZ PROPANE
TOUJOURS CONSULTER LA PRESSION INDICUÉE SUR LA PLAQUE SIGNALÉTIQUE

D. Achèvement

1. Une fois les pressions de l'entrée et de la tubulure d'admission au brûleur appropriées confirmées ou correctement configurées, fermer le robinet d'alimentation en carburant de la fournaise et laisser la fournaise brûler tout le gaz restant dans la conduite d'alimentation.
2. Débrancher l'alimentation électrique de la fournaise.
3. Retirer les manomètre et les tuyaux de raccordement.
4. Installer les bouchons de surpression et serrer bien. Vérifier s'il y a des fuites de gaz.

Guide de dépannage

LIRE L'INTÉGRALITÉ DE CETTE SECTION AVANT DE COMMENCER À RÉSOUDRE LES PROBLÈMES.



AVERTISSEMENT Risque de décharge électrique et de brûlure

- Le dépannage de ce système peut exiger d'utiliser l'appareil alors qu'une tension secteur est présente et que le gaz est ouvert. Faire preuve d'une extrême prudence lorsque vous travaillez sur la fournaise.
- Le non-respect de cet avertissement peut entraîner des dommages matériels, des blessures voire la mort.

Les représentations graphiques du dépannage aux pages suivantes fournissent des procédures systématiques pour isoler les problèmes de matériel. Les graphiques sont destinés à être utilisés par un **TECHNICIEN QUALIFIÉ EN FOURNAISE ALIMENTÉE AU GAZ. NE PAS EFFECTUER L'ENTRETIEN OU LA RÉPARATION DE CES FOURNAISES À MOINS D'AVOIR ÉTÉ ADÉQUATEMENT FORMÉ.**

ÉQUIPEMENT DE TEST OBLIGATOIRE

Les pièces d'équipement d'essai suivantes seront nécessaires pour résoudre les problèmes de ce système avec un minimum de temps et d'efforts.

- **Multimètre numérique** – pour mesurer la tension et la résistance en courant alternatif (C. a.) et en courant continu (C. c.).
- **Trousse de diagnostic de thermocouple** – (n° de pièce 550-08506) Lorsqu'elle est utilisée avec un multimètre numérique standard, cette trousse permet de tester le thermocouple et la puissance électromagnétique des robinets de réglage du gaz.
- **Jauge de basse pression** – (n° 00764) pour vérifier les pressions d'entrée et de sortie de la vanne de commande de gaz en fonction des données figurant sur la plaque signalétique.

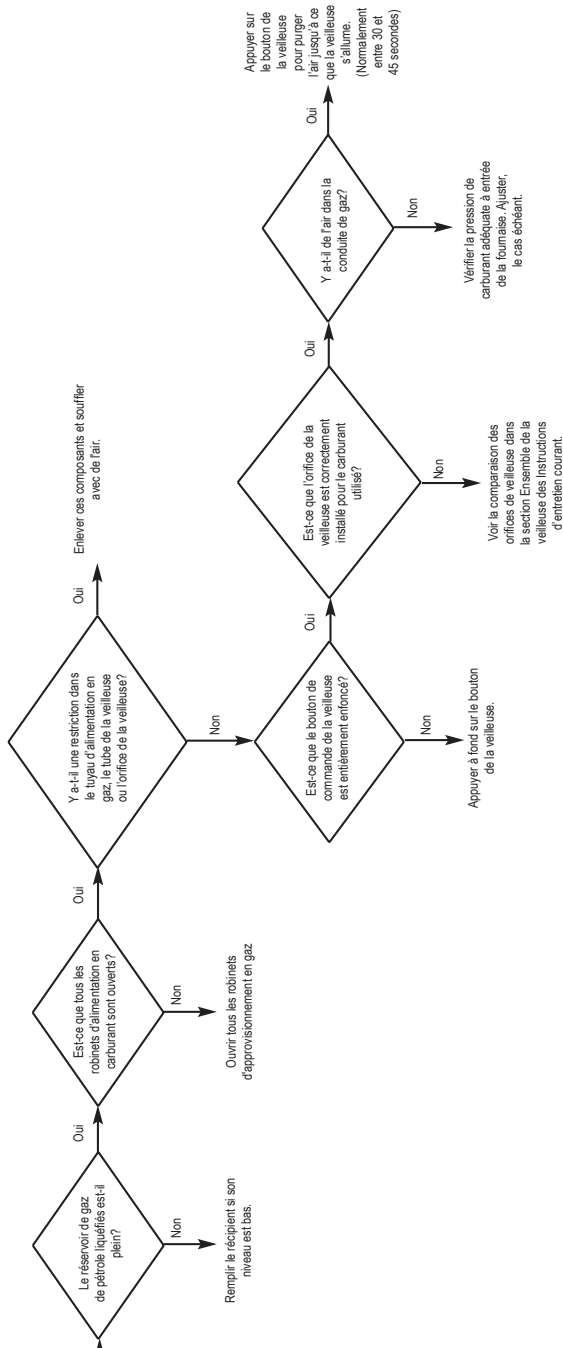
PRÉPARATION INITIALE

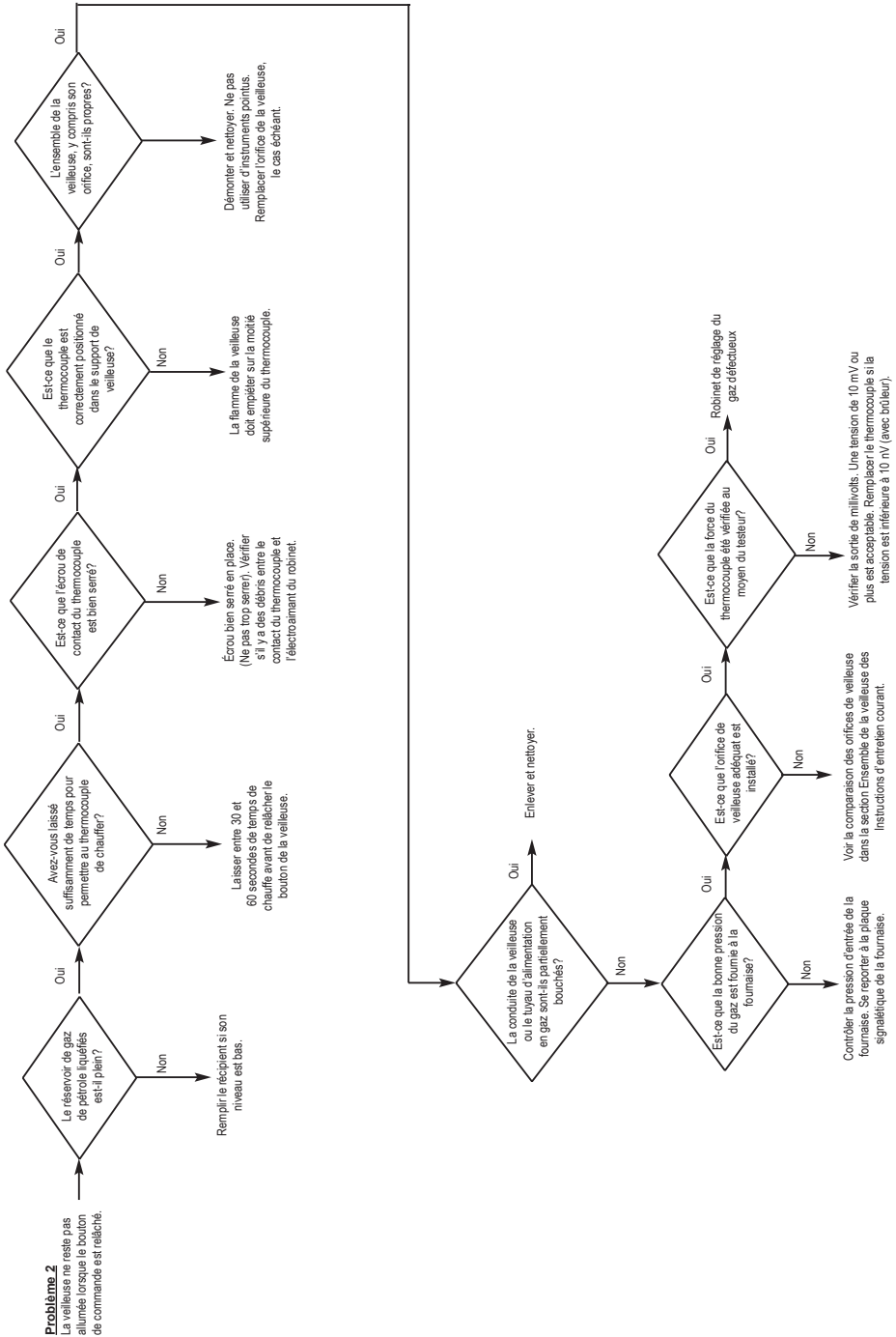
- Visuellement inspecter l'équipement pour y déceler tout dommage apparent.
- Vérifier l'intégralité du câblage pour y déceler toute connexion desserrée et toute isolation usée.

Pour utiliser efficacement les représentations graphiques, vous devez d'abord identifier le problème. Les problèmes sont numérotés de manière séquentielle et il comporte une brève explication de chaque problème. Commencer au « diamant » se rapprochant le plus du problème identifié et passer chaque étape, en effectuant les tests proposés. Après chaque étape ou chaque test, le guide dirigera l'agent de service à la prochaine étape logique en fonction du résultat obtenu lors de la vérification précédente.

<u>Problème</u>	<u>Page</u>
1 La veilleuse ne s'allume pas.....	22
2 La veilleuse ne reste pas allumée lorsque le bouton de commande est relâché	23
3 Le moteur tourne. Le brûleur ne s'allume pas lorsque la veilleuse est allumée	24
4 Le moteur ne fonctionne pas, la fournaise ne s'allume pas lorsque la veilleuse est allumée....	25
5 La veilleuse ne reste pas allumée lorsque le brûleur principal et le ventilateur fonctionnent	25
6 Le limiteur de température est ouvert.....	26
7 Le brûleur ne s'éteint pas	27
8 La flamme sort du brûleur.....	27
9 La flamme du brûleur s'éteint après de 10 à 15 minutes de fonctionnement	27
10 Le robinet de réglage du gaz claque	28
11 Le moteur tousse	28

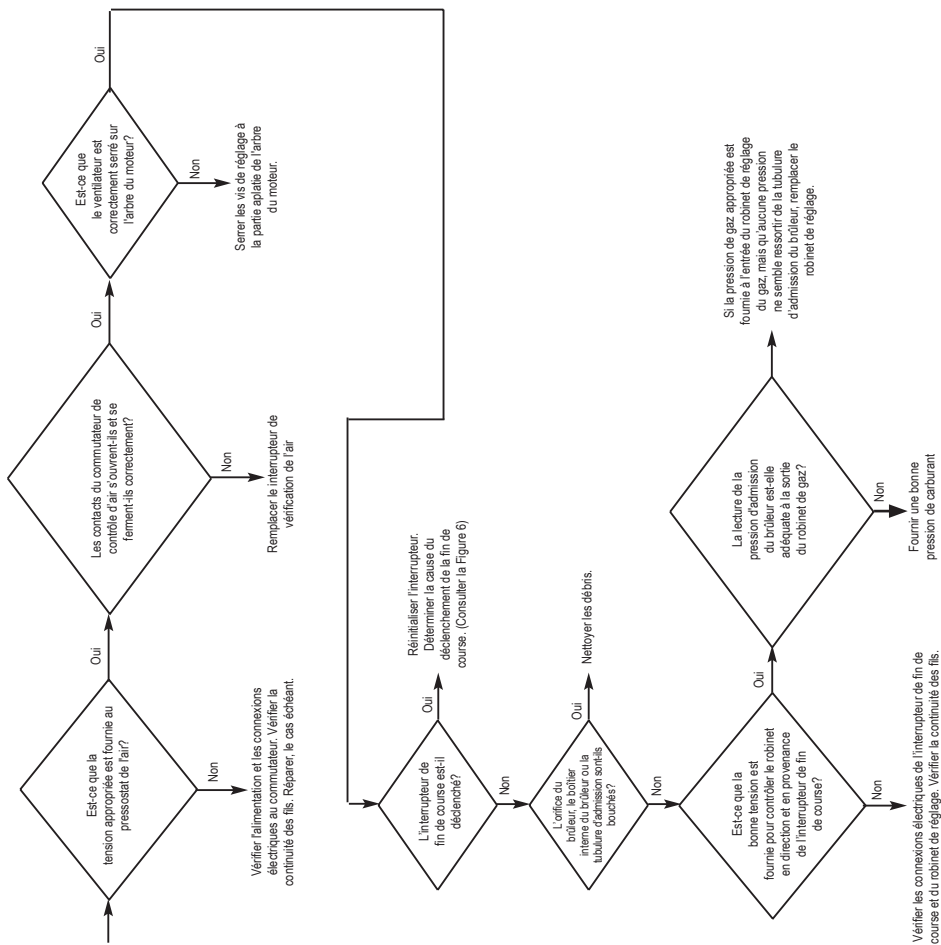
Problème 1
La veilleuse ne s'allume pas

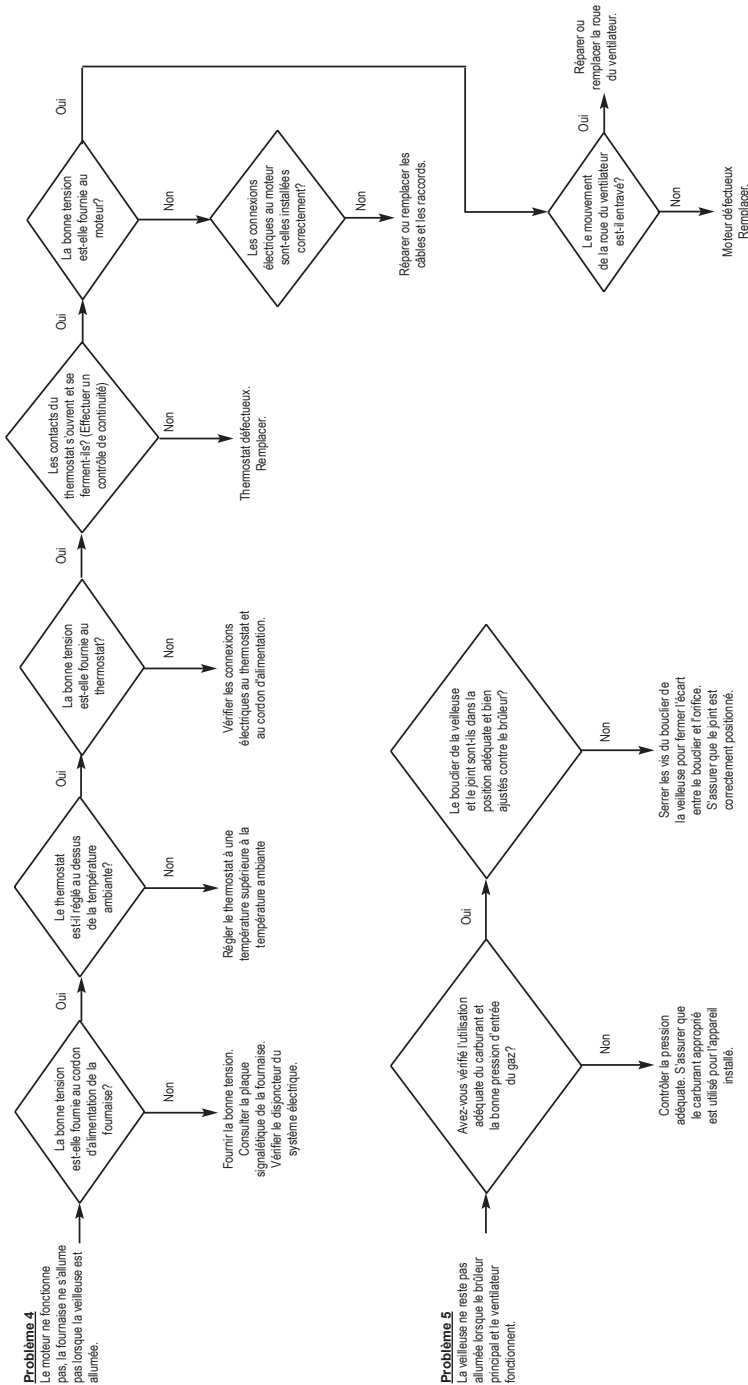


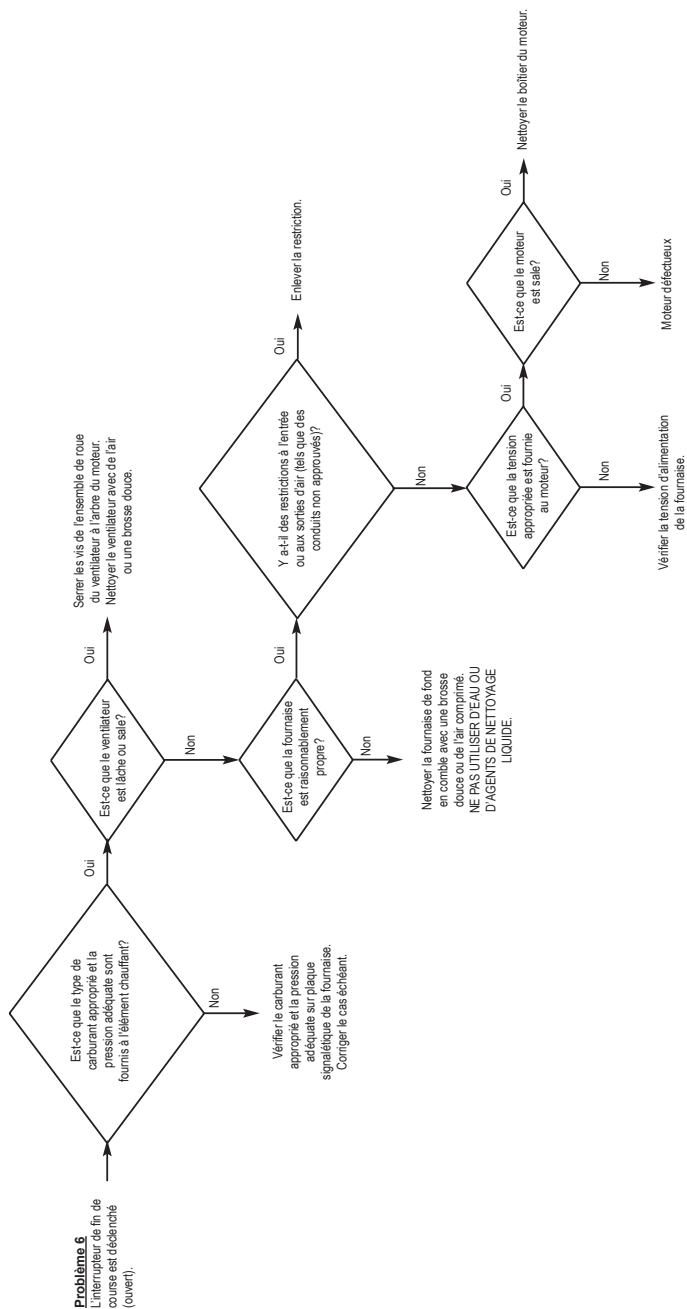


Problème 3

Le moteur tourne. Le brûleur ne s'allume pas lorsque la valveuse est allumée.

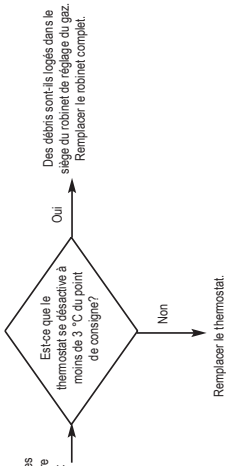




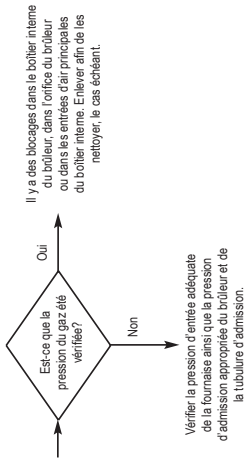


Problème 7

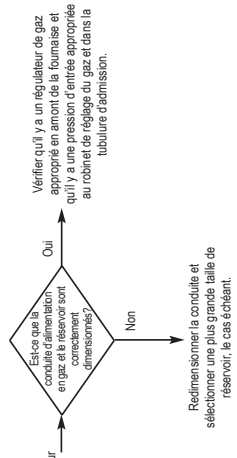
Le brûleur ne se ferme pas lorsque les exigences en matière de température sont satisfaites.

**Problème 8**

La flamme sort du brûleur.

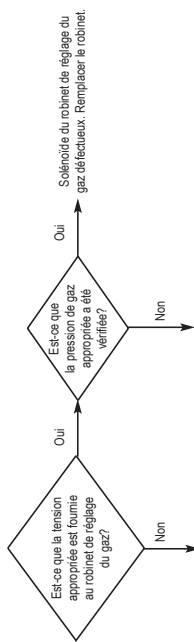
**Problème 9**

La flamme du brûleur s'éteint après de 10 à 15 minutes de fonctionnement.



Problème 10

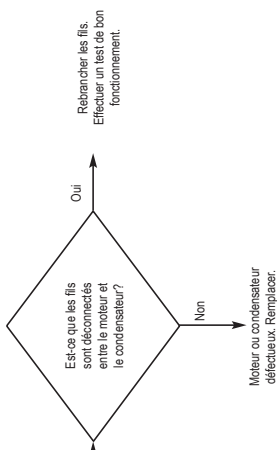
Le robinet de réglage du gaz clique.



Vérifier la tension appropriée. Voir la plaque signalétique de la fournaise. Demander à un électricien qualifié de corriger le problème, le cas échéant.

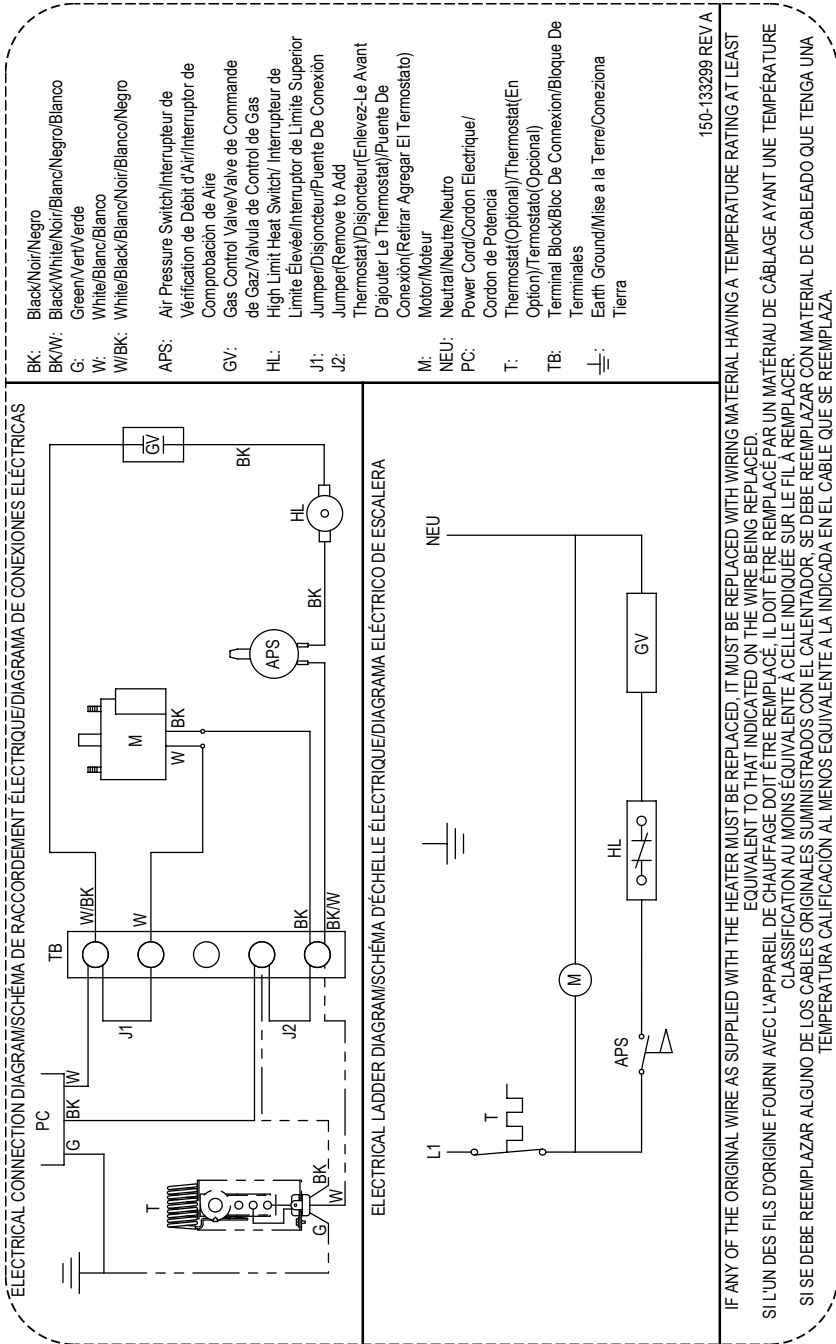
Problème 11

Le moteur tourne

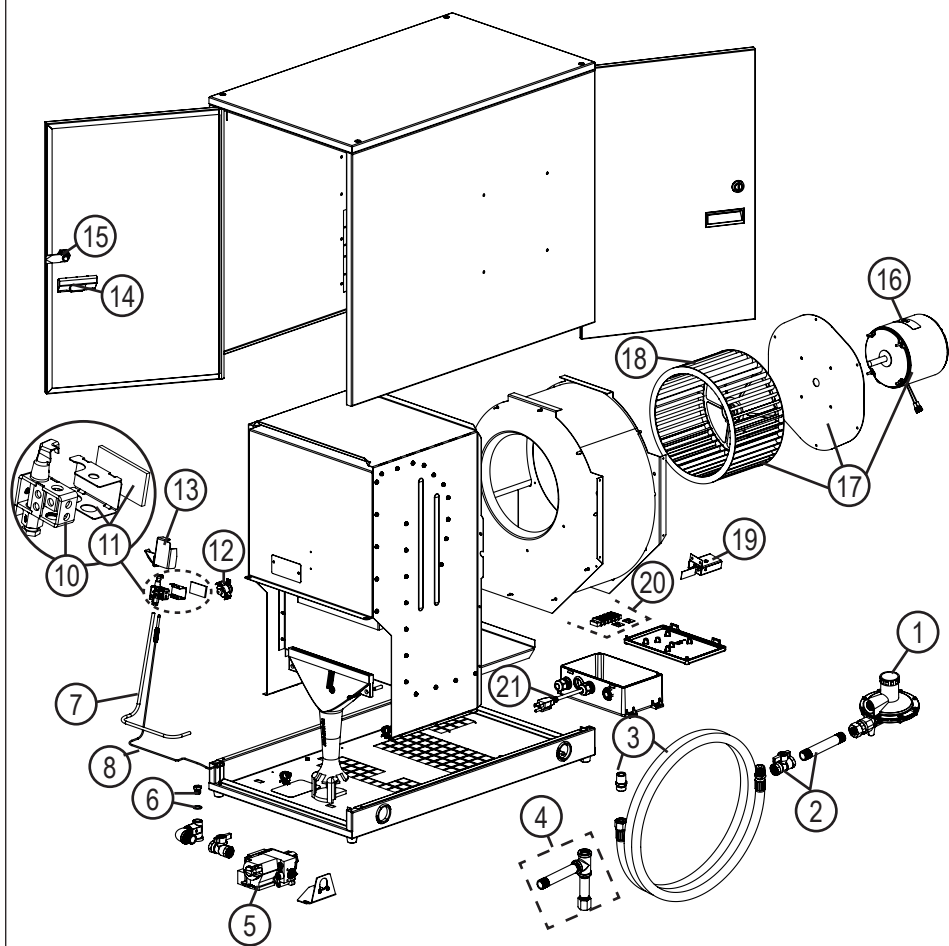


Raccordement électrique et diagramme en échelle

Schéma de connexion AB250 :



Schémas d'identification des pièces de rechange



Liste des pièces – AB250

Item	Description	Part Number	
1	*Régulateur, gaz de pétrole liquéfié, 2e étape, évent sur sortie	500-06665	
	*Régulateur, gaz de pétrole liquéfié, 2e étape, évent sur le côté	500-06553	
	*Régulateur, gaz naturel	500-24414	
2	*Vanne d'arrêt et mamelon	500-03399	
3	*Tuyau, diamètre intérieur de 1/2 po sur 10 pi avec adaptateur	500-23160	
4	Kit piège à sédiments	500-00815	
5	Robinet de réglage du gaz	Gaz de pétrole liquéfié	521615
		Gaz naturel	521616
6	Orifice du brûleur	Gaz de pétrole liquéfié	574296
		Gaz naturel	574304
7	Tube de veilleuse avec écrous et manchons à compression	574456	
8	Thermocouple	503497	
9	**Orifice de la veilleuse	Gaz de pétrole liquéfié	502689
		Gaz naturel	570065
10	Ensemble de veilleuse avec orifice	Gaz de pétrole liquéfié	502729
		Gaz naturel	573699
11	Couvercle, veilleuse avec join	574312	
12	Limiteur de température	573099	
13	Pilote de bouclier avec support de montage	574313	
14	Manipuler	574124	
15	Loquet	574162	
16	Moteur	520169	
17	Ensemble moteur/roue de ventilateur	574197	
18	Roue de ventilateur	570481	
19	Interrupteur, vérification de l'air	574519	
20	Bornier avec cavaliers	570491	
21	Cordon d'alimentation	520133	

* Accessoire en option

** Pas montré

Politique de garantie

FOURNAISE

L.B. White Company, LLC garantit que les éléments constitutifs de sa fournaise sont exempts de défauts de matériaux et de fabrication, lorsqu'ils sont correctement installés, utilisés et entretenus conformément aux directives d'installation et d'entretien, aux guides de sécurité et aux étiquettes apposées sur chaque unité. Si, dans les douze mois à compter de la date d'achat par l'utilisateur final, un composant est jugé défectueux, L.B. White Company, LLC à sa discrétion, réparera ou remplacera la pièce défectueuse ou la fournaise, au moyen d'une nouvelle pièce ou une fournaise, F.O.B., Onalaska, Wisconsin.

L'enregistrement de votre produit en ligne auprès de L.B. White qualifiera automatiquement un appareil et ses composants à la garantie. Si un produit n'a pas été enregistré auprès de L.B. White, une copie de l'acte de vente sera nécessaire pour établir l'admissibilité à la garantie. Si ni l'un ni l'autre n'est disponible, la période de garantie sera de douze mois à compter de la date d'expédition des locaux de L.B. White.

PIÈCES

L.B. White Company, LLC garantit que les pièces de rechange achetées à la société et utilisées sur l'équipement L.B. White approprié sont exemptes de défauts à la fois de matériel et de fabrication pendant douze mois à compter de la date d'achat par l'utilisateur final. La garantie est automatique si un composant est jugé défectueux dans les douze mois suivant le code de date indiquée sur la pièce. Si le défaut se produit plus de douze mois plus tard que le code de date, mais dans les douze mois à compter de la date d'achat par l'utilisateur final, une copie d'une facture de vente sera nécessaire pour établir l'admissibilité à la garantie.

La garantie énoncée ci-dessus est la garantie exclusive fournie par L.B. White, et toutes les autres garanties, y compris les garanties implicites de qualité marchande ou d'adéquation à un usage particulier, sont expressément exclues. Dans le cas où une garantie implicite n'est pas expressément accordée en raison de la loi, cette garantie implicite est limitée en durée à la durée de la garantie applicable indiquée ci-dessus. Les solutions mentionnées ci-dessus représentent les seuls et exclusifs recours disponibles aux termes des présentes. L.B. White ne pourra être tenue responsable des dommages indirects ou consécutifs, directement ou indirectement liés à la vente,

la manutention ou l'utilisation de l'équipement, et dans tous les cas, la responsabilité de L.B. White en lien avec l'équipement, y compris pour les réclamations reposant sur la négligence ou la responsabilité stricte, est limitée au prix d'achat.

Certains États et certaines provinces ne permettent pas les délais de prescription quant à la durée d'une garantie implicite, ainsi le délai de prescription ci-dessus peut ne pas vous concerner. Certains États et certaines provinces ne permettent pas l'exclusion ou la limitation des dommages indirects ou consécutifs, de sorte que la limitation ou l'exclusion ci-dessus peut ne pas vous concerner. Cette garantie vous donne des droits juridiques précis, et vous pouvez également avoir d'autres droits qui varient d'une province à l'autre.

Pour enregistrer votre produit et vous assurer d'obtenir la garantie intégrale, rendez-vous à l'adresse http://www.lbwhite.com/customer_care_center/product-registration/. Veuillez avoir les numéros de série et les modèles sous la main des produits que vous enregistrez.

Service courant, maintenance et entretien

Communiquez avec votre distributeur L.B. White local pour obtenir des pièces de rechange et assurer le service courant. Vous pouvez aussi appeler L.B. White Company, LLC au 1 800 345-7200, pour obtenir de l'assistance ou par courriel à l'adresse customerservice@lbwhite.com.

Assurez-vous d'avoir votre numéro de modèle de la fournaise ainsi que le numéro de configuration sous la main lors de l'appel.



FOURNISSEUR MONDIAL - SOLUTIONS INNOVANTES DE CHAUFFAGE

411 Mason Street, Onalaska, WI 54650

1 800 345-7200 • 608 783-5691

608 783-6115 (télécopieur)

www.lbwhite.com