



# Owner's Manual and Instructions

## Tradesman Kerosene Heaters



MODELS	OUTPUT (BTUH)	FUEL
CP075EK	75,000	1-K Kerosene
CP125FK	125,000	
CP175FK	175,000	
CP210FK	210,000	

Certification by:



### SCAN THIS QR CODE

with your smartphone or visit <http://goo.gl/nvneR> to view maintenance videos for L.B.White heaters.\*



\*Requires an app like QR Droid for Android or QR Reader for iPhone.

## Congratulations!

**You have purchased the finest kerosene portable forced air construction heater available.**

Your new L.B.White heater incorporates the benefits from the most experienced manufacturer of heating products using state-of-the-art technology.

We, at L.B.White, **thank you** for your confidence in our products and welcome any suggestions or comments you may have...call us, toll-free, at (800) 345-7200 or e-mail [customerservice@lbwhite.com](mailto:customerservice@lbwhite.com)

### ATTENTION ALL USERS

This heater has been tested and evaluated by C.S.A. International in accordance with the requirements of Standard UL733 and ANSI A10.10-1998, CAN/CSA B140.0-03 and CSA B140.8 - 1967 and is listed and approved as a Kerosene forced-air construction heater with application for the temporary heating of buildings under construction, alteration, or repair. If you are considering using this product for any application other than its intended use, then please contact the L.B. White Co., Inc.



Quality heaters you can count on.

411 Mason St., Onalaska, WI 54650 • (800) 345-7200 • (608)783-5691 • (608) 783-6115, fax • [info@lbwhite.com](mailto:info@lbwhite.com)

150-30086

 **GENERAL HAZARDWARNING**

- Failure to comply with the precautions and instructions provided with this heater, can result in:
  - Death
  - Serious bodily injury or burns
  - Property damage or loss from fire or explosion
  - Asphyxiation due to lack of adequate air supply or carbon monoxide poisoning
  - Electrical shock
- Read this Owner's Manual before installing or using this product.
- Only properly-trained service people should repair or install this heater.
- Save this Owner's Manual for future use and reference.
- Owner's Manuals and replacement labels are available at no charge. See website, or for assistance, contact L.B. White at 800-345-7200.

 **WARNING**  
**Fire and Explosion Hazard**

- Not for home or recreational vehicle use.
- Installation of this heater in a home or recreational vehicle may result in a fire or explosion.
- Fire or explosions can cause property damage or loss of life.

**FOR YOUR SAFETY**

Do not store or use gasoline or other flammable vapors and liquids in the vicinity of this or any other appliance.

 **WARNING**  
**Fire and Explosion Hazard**

- Keep solid combustibles a safe distance away from the heater.  
  
Solid combustibles include wood, paper, or plastic products, building materials and dust.
- Do not use the heater in spaces which contain or may contain volatile or airborne combustibles.
- Volatile or airborne combustibles include gasoline, solvents, paint thinner, dust particles or unknown chemicals.
- Failure to follow these instructions may result in a fire or explosion.
- Fire or explosions can lead to property damage, personal injury or loss of life.



# Table of Contents

<b>SECTION PAGE</b>	
General Information . . . . .	2
Heater Specifications. . . . .	3
Safety Information	
Hazard Definitions . . . . .	5
General Safety Information. . . . .	5
Installation & Assembly	
Heater Specifications. . . . .	7
Assembly. . . . .	8
Operation	
Overview of Heater Design . . . . .	9
The Safety System. . . . .	9
Fuel Selection . . . . .	9
Fueling Your Heater . . . . .	10
To Start Heater. . . . .	10
To Shutdown Heater. . . . .	10
To Restart Heater. . . . .	10
Extra Electrical Outlet . . . . .	10
Longterm Storage of Your Heater. . . . .	11
Maintenance	
Fuel Tank. . . . .	12
Air Intake Filter. . . . .	12
Air Output /Lint Filter. . . . .	12
Rotor/Vanes, Rotor Insert. . . . .	12
Fan Blades . . . . .	13
Nozzle . . . . .	14
Spark Plug. . . . .	15
Photocell . . . . .	15
Fuel Filter. . . . .	16
Pump Pressure Adjustment . . . . .	16
Replacing Fuse. . . . .	17
Wiring Diagram . . . . .	18
Troubleshooting . . . . .	20
Parts Identification	
Parts Schematic (CP075EK) . . . . .	21
Parts List (CP075EK). . . . .	22
Parts Schematic (CP125FK & CP175FK) . . . . .	23
Parts List (CP125FK & CP175FK) . . . . .	24
Parts Schematic (CP210FK). . . . .	25
Parts List (CP210FK). . . . .	26
Parts Schematic (Handles/Wheels). . . . .	27
Warranty Information . . . . .	28

## General Information

This Owner's Manual includes all options and accessories commonly used on this heater.

When calling for technical service assistance, or for other specific information, always have model number, configuration number and serial number available. This information is contained on the dataplate.

This manual will instruct you in the operation and care of your unit. Have your qualified installer review this manual with you so that you fully understand the heater and how it functions.

The installation, repair, and servicing of the heater requires continuing expert training and knowledge of kerosene heaters and should not be attempted by anyone who is not so qualified.

Contact your local L.B. White distributor or the L.B. White Co., Inc. for assistance, or if you have any questions about the use of the equipment or its application.

The L.B. White Co., Inc. has a policy of continuous product improvement. It reserves the right to change specifications and design without notice.

# Heater Specifications

## Model

<b>SPECIFICATIONS</b>	<b>CP050EK</b>	<b>CP075EK</b>
Fuel Type	1-K, Kerosene	
Max Input (BTUH)	50,000	75,000
Pump Pressure (psig)	3.8	3.8
Fuel Consumption per Hour (gal)	.38	.57
Motor Characteristics	Ball Bearing	
	1/8 HP, 3,300 RPM	1/8 HP, 3120 RPM
Electrical Supply (Voltz/Hz/Phase)	120/60/1	
Amp Draw	<b>CONTINUOUS OPERATION</b> 1.6	1.6
Dimensions (Inches) Length x width x height	32" x 11.8" x 16.8"	
Minimum Safe Distances From Nearest Combustible Materials	<b>TOP</b>	4 ft.
	<b>SIDES</b>	4 ft.
	<b>BACK</b>	4 ft.
	<b>BLOWER OUTLET</b>	8 ft.
	<b>BULK FUEL STORAGE CONTAINER</b>	25 ft.
Net Weight (Lbs.)	27.6	27.6
Shipping Weight (Lbs.)	32.0	32.0
Minimum Ambient Temperature in Which Heater May Be Used	-20 °F	



# Heater Specifications

## Model

<b>SPECIFICATIONS</b>	<b>CP125FK</b>	<b>CP175FK</b>	<b>CP210FK</b>
Fuel Type	1-K, Kerosene		
Max Input (BTUH)	125,000	175,000	210,00
Pump Pressure (psig)	5.5	6.5	8.5
Fuel Consumption per Hour (gal)	.95	1.32	1.6
Motor Characteristics	Ball Bearing		
	1/5HP 3455 RPM	1/4HP 3430 RPM	1/3HP 3380 RPM
Electrical Supply (Voltz/Hz/Phase)	120/60/1		
Amp Draw	<b>CONTINUOUS OPERATION</b> 2.5	3.2	3.7
Dimensions (Inches) Length x width x height	36.1" x 21.5" x 24.6"	41.8" x 23.1" x 26.1"	
Minimum Safe Distances From Nearest Combustible Materials	<b>TOP</b>	4 ft.	
	<b>SIDES</b>	4 ft.	
	<b>BACK</b>	4 ft.	
	<b>BLOWER OUTLET</b>	8 ft.	
	<b>BULK FUEL STORAGE CONTAINER</b>	25 ft.	
Net Weight (Lbs.)	56.4	62.8	64.4
Shipping Weight (Lbs.)	63.7	71.6	73.2
Minimum Ambient Temperature in Which Heater May Be Used	-20° F		

---

# Safety Information

## HAZARD DEFINITIONS

---

 **DANGER**

Indicates an imminently hazardous situation which, if not avoided **WILL** result in death or serious injury.

 **WARNING**

Indicates a potentially hazardous situation which, if not avoided, **COULD** result in death or serious injury.

 **CAUTION**

Indicates a potentially hazardous situation which, if not avoided, **MAY** result in minor or moderate injury.

## GENERAL SAFETY INFORMATION

---

 **WARNING**

Before using this heater, please read this **USER'S MANUAL** very carefully. This **USER'S MANUAL** has been designed to instruct you as to the proper manner in which to assemble, maintain, store, and most importantly, how to operate the heater in a safe and efficient manner.

 **WARNING**

Never leave the heater unattended while burning!

 **DANGER**

Improper use of this heater can result in serious injury or death from burns, fire, explosion, electrical shock, and/or carbon monoxide poisoning.

## GENERAL SAFETY INFORMATION (cont.)



### WARNING

#### Risk of CO Poisoning!

- Use this heater only in well ventilated areas. Provide proper ventilation. Proper ventilation air for combustion must be provided in accordance with OSHA 29 CFR 1926.154, Temporary Heating Devices, ANSI A 10.10, Safety Requirements for Temporary and Portable Space Heating Devices, or the Natural Gas and Propane Installation Code, CAN/CSA B149.1 as appropriate.
- Never use this heater in living or sleeping areas.
- Carbon Monoxide Poisoning: Early signs of carbon monoxide poisoning resemble flu-like symptoms such as headaches, dizziness, and/or nausea. If you have these symptoms, your heater may not be working properly.
- Get fresh air at once! Have the heater serviced.
- People with breathing problems should consult a physician before using the heater.



### WARNING

#### Risk of Electric Shock!

- Use only the electrical power (voltage and frequency) specified on the model plate of the heater. Use only a three prong, grounded outlet and extension cord.
- ALWAYS install the heater so that it is not directly exposed to water spray, rain, dripping water, or wind.
- ALWAYS unplug the heater when not in use.

**WARNING:** This product and the fuel used to operate this product (kerosene or other approved fuels), and the products of combustion of such fuel, can expose you to chemicals including benzene, which is known to the State of California to cause cancer and reproductive harm. For more information go to [www.p65Warnings.ca.gov](http://www.p65Warnings.ca.gov)

**MASSACHUSETTS RESIDENTS:** Massachusetts state law prohibits the use of this heater in any building which is used in whole or in part for human habitation. Use of this heating device in Massachusetts requires local fire dept. permit (M.E.L.C.148, Section10A).

**CANADIAN RESIDENTS:** Use of this heater shall be in accordance with authorities having jurisdiction and CSA Standard B139.

**NEW YORK CITY RESIDENTS:** For use only at construction sites in accordance with applicable NYC codes under NYCFCF certificate of approval #5034 and 5037



### WARNING

#### Risk of Burns/Fire/Explosion!

- Keep all combustible materials away from this heater. **Minimum Clearances**  
Outlet 8 feet (250 cm)  
Sides, Top and Rear 4 feet (125 cm)
- NEVER use fuels such as gasoline, benzene, paint thinners, or other oil compounds in this heater (RISK OF FIRE OR EXPLOSION).
- NEVER use this heater where flameable vapors may be present.
- NEVER refill the heater's fuel tank while heater is operating or still hot. This heater is EXTREMELY HOT while in operation.
- NEVER block air inlet (rear) or air outlet (front) of heater.
- NEVER use ductwork in front or at rear of heater.
- NEVER move or handle heater while still hot.
- NEVER transport heater with fuel in its tank.
- When used with optional thermostat or if equipped with a thermostat, the heater may start at any time.
- ALWAYS locate heater on a stable and level surface.
- NEVER use any fuel other than 1-K kerosene, #1/#2 diesel/fuel oil, JET A or JP-8 fuels in this heater.
- Bulk fuel storage should be a minimum of 25 ft. from heaters, torches, portable generators, or other sources of ignition. All fuel storage should be in accordance with federal, state, or local authorities having jurisdiction.

# Installation and Assembly Instructions

## HEATER SPECIFICATIONS

### Introduction

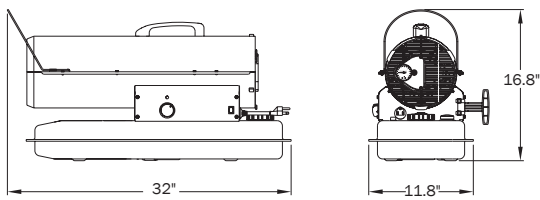
Please read this USER'S MANUAL carefully. It will show you how to assemble, maintain and operate this heater safely and efficiently to obtain the full benefits of its many features. Consumer: Retain these instructions for future reference.

### Unpacking

1. Remove all packing items applied to heater for shipment.
2. Remove all items from carton.
3. Check all items for shipping damage.

If heater is damaged, promptly inform dealer where you purchased heater.

### Dimensions



Model CP075EK

Figure 1.1 - Heater Dimensions

### Dimensions

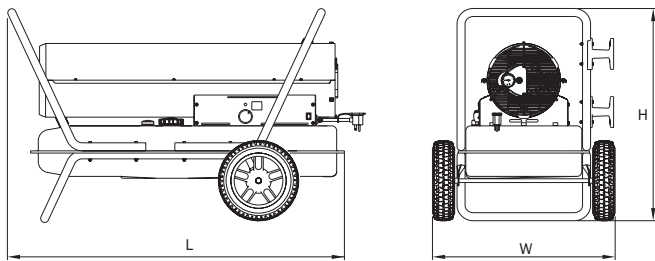


Figure 1.2 - Heater Dimensions

	CP125FK	CP175FK CP210FK
Height	24.6"	26.1"
Length	36.1"	41.8"
Width	21.5"	23.1"

### Product Features

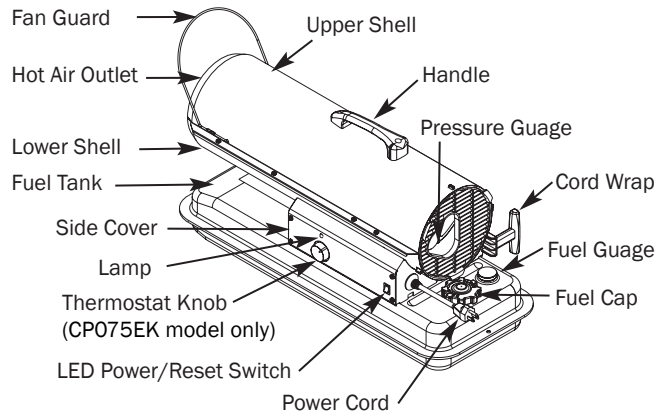


Figure 2.1 - Features

### Product Features

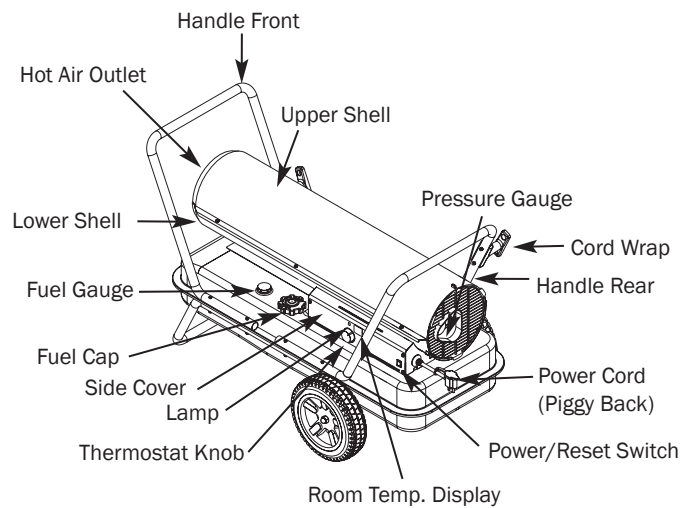


Figure 2.1 - Features

# Installation and Assembly Instructions

## ASSEMBLY

### TOOLS REQUIRED

#### CP075EK

- Medium Phillips screwdriver.

1. Lift front guard for arrow direction and make sure that guard's wedged portion fits into the slit hole on the upper housing.
2. Remove the pre-assembled screws on the shell upper and side cover.
3. Align the holes in upper housing with two mounting holes on the handle as shown in Figure 4.
4. Secure handle with screws removed.
5. Insert cord wrap into the rectangle holes on the supporter and align the hole on the cord wrap with the mounting hole on the side covers shown in Figure 4.
6. Secure cord wrap with screws removed.

#### CP125FK/CP175FK/CP210FK

- Medium Phillips screwdriver.

- M5 open, or adjustable wrench.

1. Slide threaded axle through the rear section of the wheel support frame.
2. Slide one axle bushing on to each side of the axle. Slide one wheel on to each side of the axle.
3. Attach one cap nut on to each side of the threaded axle and tighten well.
4. Place heater on wheel support frame. Make sure the air inlet end (rear) of heater is over wheels. Align the holes on fuel tank flange. Insert screws through handles (front and rear), fuel tank flange, and wheel support frame as shown in Figure 5 and attach nut finger tight after each screw is inserted.
5. After all screws are inserted, tighten nuts firmly.
6. Align the hole on the handle (front and rear) with the mounting hole on the cord wrap.
7. Insert screws through cord wrap, handles as shown in Figure 5 and attach nut finger tight after each screw is inserted.
8. After all screws are inserted, tighten nuts firmly.



### WARNING

**Fire or explosion hazard!**

- Do not operate heater without support frame fully assembled to tank.

Model	CP075EK	CP125FK	CP175FK	CP210FK
Wheel Support Frame	No	Yes	Yes	Yes
Wheels	No	Yes	Yes	Yes
Front-Handle	No	Yes	Yes	Yes
Rear-Handle	No	Yes	Yes	Yes
Axle	No	Yes	Yes	Yes
Cord Wrap	Yes	Yes	Yes	Yes
Hardware Kit	No	Yes	Yes	Yes
Handle	Yes	No	No	No

#### CP075EK Model

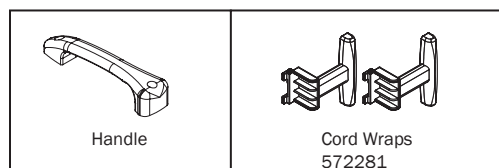


Figure 3.1 - Component Identification

#### CP125FK/CP175FK/CP210FK Models

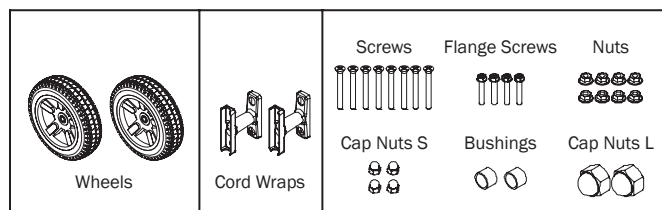


Figure 3.2 - Component Identification

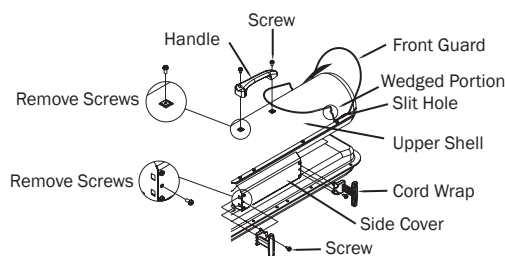
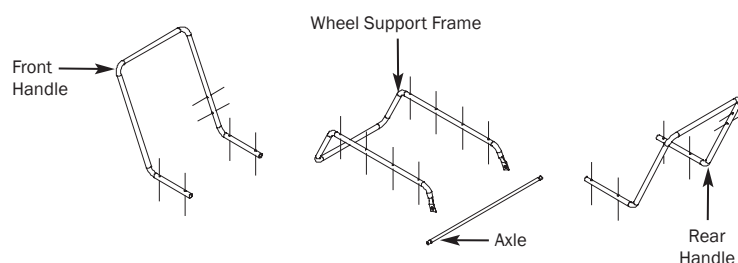


Figure 4 - Handle and Cord Wrap Installation CP075EK



# Assembly (cont.)

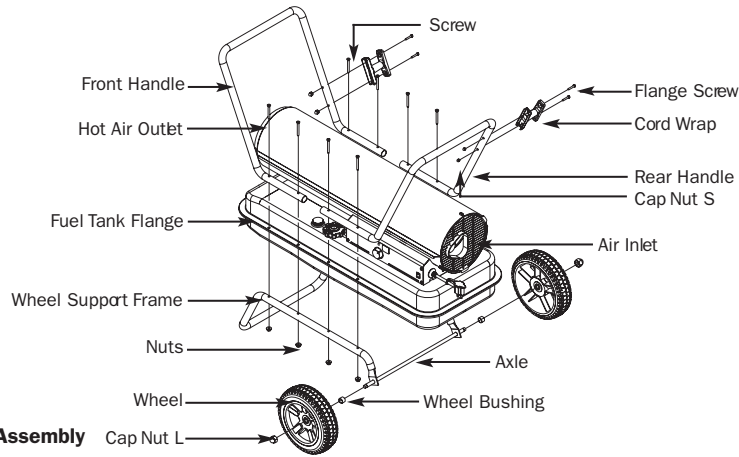


Figure 5 - Assembly

# OPERATION

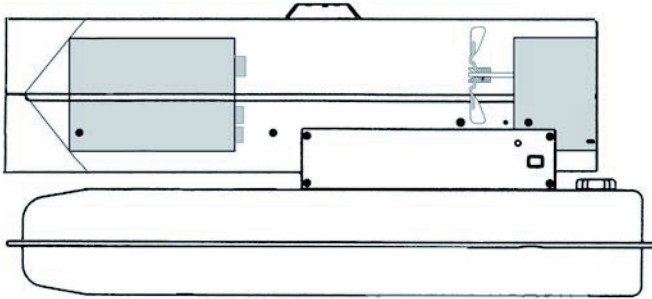


Figure 6 - Overview of Heater Design

## OVERVIEW OF HEATER DESIGN

**Fuel System:** This heater is equipped with an electric air pump that forces air through the air line connected to the fuel intake, and then through a nozzle in the burner head. When air passes in front of the fuel intake, it causes fuel to rise from the tank and into the burner nozzle. This fuel and air mixture is then sprayed into the combustion chamber in a fine mist.

**SureFire Ignition:** The electronic ignitor sends voltage to a specially designed spark plug. The spark plug ignites the fuel and air mixture described above.

**The Air System:** The heavy duty motor turns a fan that forces air into and around the combustion chamber. Here, the air is heated and then forced out the front of the heater.

## THE SAFETY SYSTEM

**Temperature Limit Control:** This heater is equipped with a Temperature Limit Control designed to turn the heater off should the internal temperature rise to an unsafe level. If this device activates and turns your heater off, it may require service.

Once the temperature falls below the reset temperature, you will be able to start your heater.

Model	Internal Shut-off Temp. +/-10 Degrees	Reset Temp. +/-10 Degrees
CP075EK	176°F/80°C	122°F/50°C
CP125FK	230°F/110°C	194°F/90°C
CP175FK	158°F/70°C	104°F/40°C
CP210FK	194°F/90°C	140°F/60°C

**Electrical System Protection:** This heater's electrical system is protected by a fuse mounted to the PCB Assembly that protects it and other electrical components from damage. If your heater fails to operate, check this fuse first and replace as needed.

**Flame-Out Sensor:** Utilizes a photocell to monitor the flame in bun chamber during normal operation. It will cause the heater to shut off should the burner flame extinguish.

## FUEL SELECTION

- All models can use 7 different fuels: K1 Kerosene, #1 Fuel Oil, #1, Diesel, #2 Fuel Oil, #2 Diesel, Jet A, JP-82.
- K1 Kerosene is recommended for optimal combustion and performance, and for less maintenance. K1 is also the optimal fuel choice in extremely low temperatures of 15°F or less, as its pour-point/"gel-point" varies depending on the refinery, but it is always far below the lowest temperatures reached North America.
- Jet A and JP-8 are also excellent choices for clean combustion, reduced maintenance, and temperatures below 15°F, but they are rarely found outside of the aviation industry or the military.
- #1 Fuel Oil, #1 Diesel, #2 Fuel Oil, #2 Diesel are often selected, as they are readily available. However, the user must understand that Fuel Oil and Diesel are less refined, and therefore the user should be aware of the following:
  - #1 Diesel and #1 Fuel Oil will have some degree of increased smoke/soot during ignition, increased smell, and increased regular cleaning/maintenance.
  - #2 Diesel and #2 Fuel Oil will, generally depending on the regional refinery, burn dirtier than #1 fuels. The use of #2 fuels will result in a little more smoke/soot during ignition, a greater increase in smell, and will require more regular cleaning/maintenance than #1 fuels.
  - At temperatures lower than 15°F, most diesel/fuel oil blends will become more viscous (start to gel) as the diesel falls below its pour point (starts to "gel"), and may pose a challenge igniting the heater and with continuous operation of the heater. There are troubleshooting steps for this situation, but selecting K1 (or JP-8/Jet A) is recommended when operating below 15°F. The colder the temperatures the more likely you could problems you will experience diesel gelling.
  - Diesel fuel gelling happens when the paraffin usually present in diesel starts to solidify when the temperature drops. At 32°F, the wax in liquid form will crystallize and leave the fuel clouded; this can start to have an effect on the fuel filter and the nozzle. If the nozzle is getting coated the spray pattern will not be correct which can cause white smoke and performance problems.

## OPERATION (cont.)

### **KEROSENE SHOULD ONLY BE STORED IN A BLUE CONTAINER THAT IS CLEARLY MARKED "KEROSENE". NEVER STORE KEROSENE IN A RED CONTAINER.**

Red containers are associated with gasoline.

**NEVER** store kerosene in the living space. Kerosene should be stored in a well ventilated place outside the living area.

**NEVER** use any fuel other than 1-K kerosene (#1/#2 diesel/fuel oil, JET A or JP-8 fuels are acceptable substitutes)

**NEVER** use fuel such as gasoline, benzene, alcohol, white gas, camp stove fuel, paint thinners, or other oil compounds in this heater. These are volatile fuels that can cause an explosion or uncontrolled flames.

**NEVER** store kerosene in direct sunlight or near a source of heat.

**NEVER** use kerosene that has been stored from one season to the next. Kerosene deteriorates over time.

### **"OLD KEROSENE" WILL NOT BURN PROPERLY IN THIS HEATER.**

## FUELING YOUR HEATER

Never fill the heater fuel tank in the living space: fill the tank outdoors.

Do not overfill your heater and be sure the heater is level,



### **WARNING**

**Fire or explosion hazard!**

- Never refill fuel tank when heater is operating or still hot.

### **IMPORTANT:REGARDING FIRST IGNITION OF HEATER.**

The first time you light the heater, it should be done OUTDOORS. This allows the oils, etc., used in manufacturing heater to be burned off outside.

## TO START HEATER

1. Fill fuel tank with fuel.

NOTE : Kerosene is recommended when the temperature drops below 0°F(-18°C) to prevent ignition delay or failure.

2. Attach fuel cap.

3. Plug power cord into three prong, grounded extension cord. Extension cord must be at least six feet long.

- Extension Cord Wire Size Requirements:
- 6 to 100 feet (1.8 to 30.53 meters) long, use 16 AWG conductor.
- 101 to 200 feet (30.8 to 61 meters) long, use 14 AWG conductor.

### **NO THERMOSTAT ON 50**

4. Turn thermostat control knob to desired setting and push power switch to "ON" position. Power lamp will light and heater will start.

**NOTE:** Room Temp. display indicates as following:

- When room temp. is less than 0°F: "lo".
- When room temp. is between 0°F and 99°F: "Temp. is Displayed"
- When room temp is greater than 99°F : "Hi"

If heater does not start, the thermostat setting may be too low. Turn THERMOSTAT CONTROL KNOB to higher position to start heater. If heater still does not start, turn power switch to "OFF" and then to "ON" position (See Figure 7.1 &7.2). If heater still does not start, see Troubleshooting on page 18.

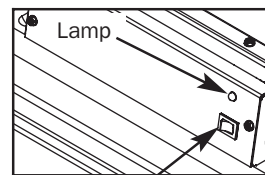
**NOTE:** The major electrical components of this heater are protected by a safety fuse mounted to the PCB board. If your heater fails to start, check this fuse first and replace as necessary. You should also check your power source to insure that proper voltage and frequency are being supplied to the heater.

**NOTE:** In cold weather, ignition may be improved by holding a finger over the end of the relief valve or block fan guard in half with newspaper etc. until the heater ignites.

## TO SHUT DOWN HEATER

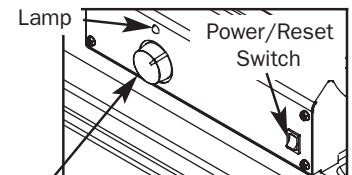
Turn switch to "OFF" and unplug power cord.

**Model CP050EK**



Power/Reset Switch

**Model CP075EK**



Thermostat Control Knob

**Figure 7.1 - Controls**



# OPERATION (cont.)

## LONG-TERM STORAGE OF YOUR HEATER

Model CP125FK, CP175FK, CP210FK

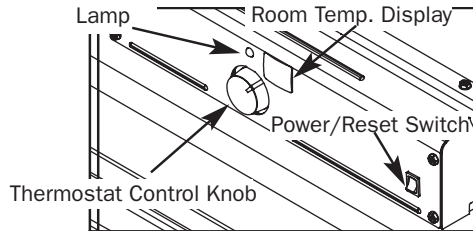


Figure 7.1 - Controls

### TO RESTART HEATER

1. Wait 10 seconds after stopping heater.
2. Repeat steps under, "TO START HEATER."

### PIGGYBACK POWER CORD

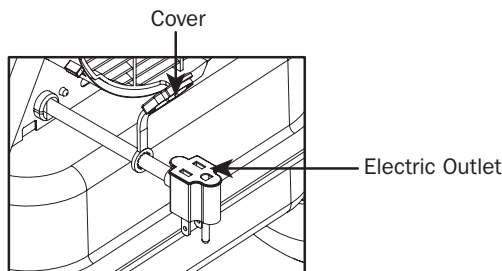


Figure 7.2 - Controls



#### **WARNING** **SHOCK HAZARD!**

- Always cover electric outlet when not in use. Don't plug and use an appliance of more than 5A current in this outlet.

### FUEL TANK DRAIN CP075EK

1. Drain fuel tank through fuel cap opening.
2. Using a small amount of kerosene, swirl and rinse the inside of the tank.

NEVER MIX WATER WITH KEROSENE, as it will cause rust inside the tank. Pour the kerosene out, making sure that you remove it all.

**IMPORTANT:** Do not store kerosene over summer for use during next heating season. Using old fuel may damage heater.

3. Reinstall fuel cap. Properly dispose of old and dirty fuel.

- Make sure storage place is free of dust and corrosive fumes.
- Store the heater in the original box with the original packing material and keep USER'S MANUAL with heater.

### FUEL TANK DRAIN CP125FK & CP175FK & CP210FK

1. Remove drain bolt from bottom of fuel tank. See Figure 9.

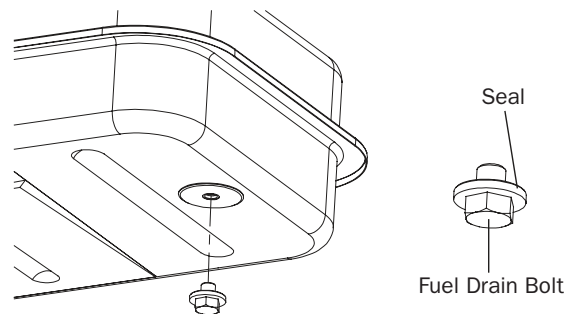


Figure 9 - Drain Plug Removal

2. Using a small amount of kerosene, swirl and rinse the inside of the tank.

NEVER MIX WATER WITH KEROSENE, as it will cause rust inside the tank. Pour the kerosene out, making sure that you remove it all.

**IMPORTANT:** Do not store kerosene over summer for use during next heating season. Using old fuel may damage heater.

3. Tighten drain bolt firmly into the tank, otherwise it will not seal completely.

- Make sure storage place is free of dust and corrosive fumes.
- Store the heater in the original box with the original packing material and keep USER'S MANUAL with heater.



USE ORIGINAL EQUIPMENT REPLACEMENT PARTS. Use of third-party or other alternate components will void warranty and may cause unsafe operating conditions.



## WARNING

**Fire or explosion hazard!**

- Never service heater while it is plugged in or while hot!

## FUEL TANK

FLUSH EVERY 200 HOURS OF OPERATION OR AS NEEDED  
(See Longterm Storage, page 11).

## AIR INTAKE FILTER

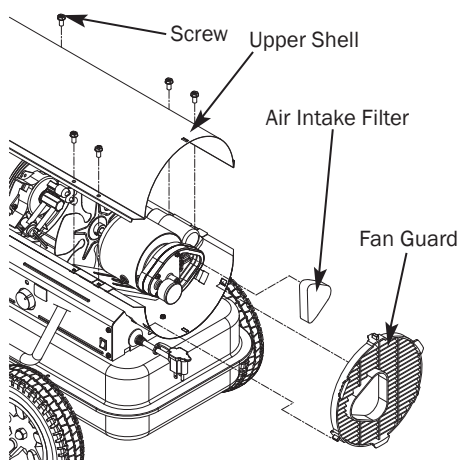


Figure 10 - Air Filter Access

WASH AND DRY WITH SOAP AND WATER EVERY 500 HOURS OF OPERATION, OR AS NEEDED.

- Remove screws along each side of heater using medium Phillips screwdriver.
- Lift off upper shell.
- Remove fan guard.
- Wash or replace air intake filter.
- Reinstall fan guard and upper shell.

## AIR OUTPUT FILTER, LINT FILTER

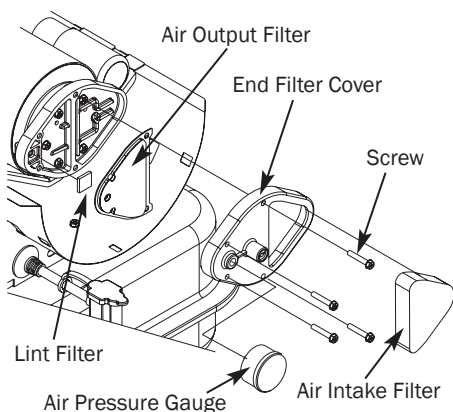


Figure 11 - Filter Assembly

REPLACE EVERY 500 HOURS OF OPERATION OR ONCE A YEAR

- Remove upper shell and fan guard (See Air Intake Filter Figure 10).
- Turn air pressure gauge counter-clockwise and remove.
- Remove end filter cover screws using medium Phillips screwdriver.
- Remove end filter cover.
- Replace air output and lint filter.
- Reinstall end filter cover and air pressure gauge.
- Reinstall fan guard and upper shell.

## PUMP SERVICING

### • PUMP ROTOR

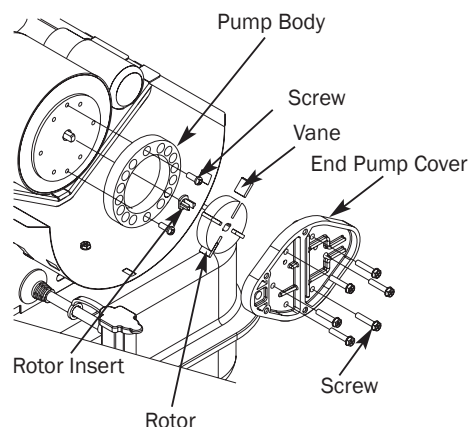


Figure 12 - Rotor Pump Assembly

REPLACE IF CHIPPED, CRACKED OR AS NEEDED

- Remove upper shell and fan guard (See Air Intake Filter Figure 10).
- Turn air pressure gauge counter-clockwise and remove.
- Remove end filter cover screws using medium Phillips screwdriver (see air output filter, lint filter Figure 11).
- Remove air output filter and lint filter.
- Remove end pump cover screws using a 5/16" (8mm) nut driver/socket.
- Replace rotor, all 4 vanes and plastic rotor insert. All of these components must be replaced at the same time.

# MAINTENANCE (cont.)

## PUMP SERVICING (CONT.)

### • ROTOR GAPPING

**IMPORTANT:** The newly inserted rotor must be gapped properly before you reinstall the end pump cover.

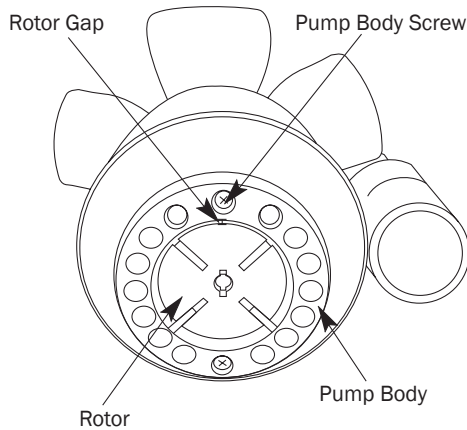


Figure 13 - Rotor Gapping

- Slightly loosen the pump body screws using a medium screw driver.
- Position pump body to set rotor gap to .003"~.004" at top dead center and retighten pump body screws.
- Verify the gap using calipers, a micrometer or a dollar bill.
- Reinstall the end pump cover.
- Reinstall air output filter and lint filter.
- Reinstall end filter cover and air pressure gauge.
- Reinstall fan guard and upper shell.

### • AIR LINE (LEAKING)

REPLACE IF SPLIT, CRACKED OR AS NEEDED.

- Remove air line from air line fitting (See Figure 14) and from nozzle adaptor.(See Nozzle, page 14)
- Reinstall Air line to air line fitting and nozzle adaptor.

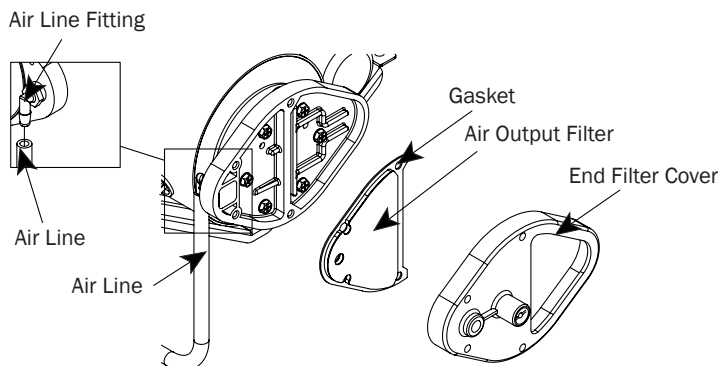


Figure 14 - Check Air leaks around Pump.

### • END FILTER COVER & GASKET(LEAKING)

REPLACE IF SPLIT, CRACKED OR AS NEEDED.

- Replace End filter cover.(See Air output filter,page 12)
- Replace Air output filter.(See Air output filter,page 12)

## FAN BLADES

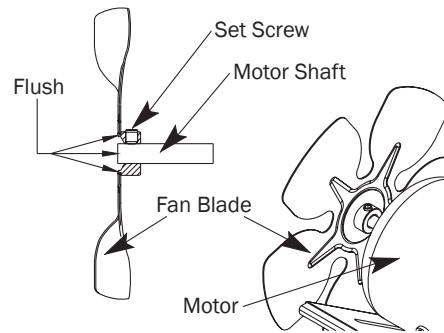
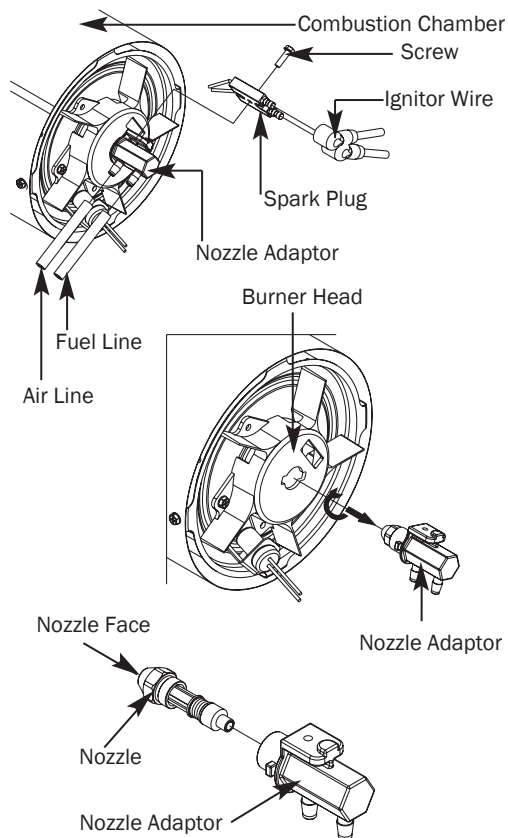


Figure 15 - Fan Assembly

CLEAN EVERY SEASON OR AS NEEDED

- Remove upper shell (See Air Intake Filter Figure 10).
- Use M6 Allen wrench to loosen set screw which holds fan blade to motor shaft.
- Slip fan blade off motor shaft.
- Clean fan blade using soft cloth moistened with kerosene or solvent.
- Dry fan blade thoroughly.
- Reinstall fan blade to motor shaft.
- Place fan blade hub flush with end of motor shaft.
- Place set screw on flat of shaft.
- Tighten screw firmly (40-50 inch-pounds/4.5-5.6 N-m)
- Reinstall upper shell.

## NOZZLE

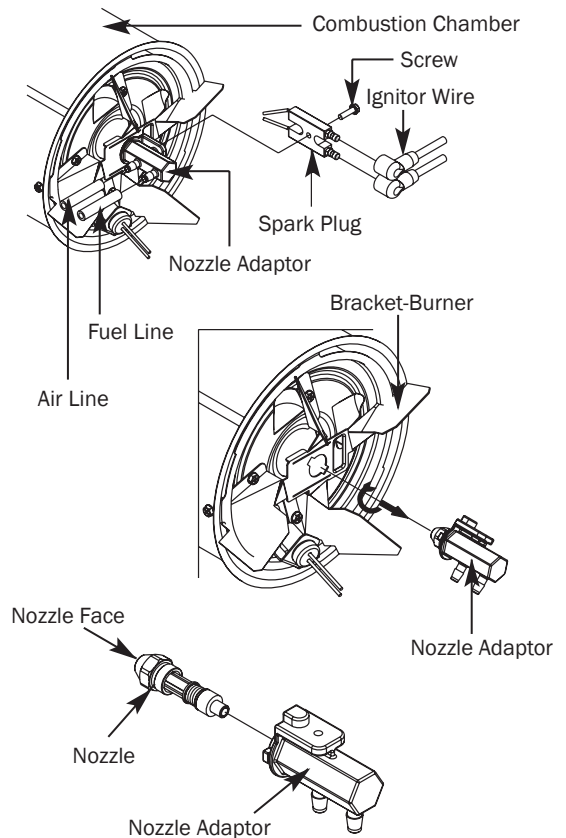


**Figure 16 – Nozzle Replacement For Models CP050EK-CP175FK**

### CLEAN NOZZLE AS NEEDED

(For Models CP050EK - CP175FK only)

- Remove upper shell (See Air Intake Filter, page 12).
- Remove fan blade (See Fan Blades).
- Remove fuel and air line hoses from nozzle adaptor.
- Remove ignitor wire from spark plug.
- Remove spark plug from nozzle adaptor using medium Phillips screwdriver.
- Turn nozzle adaptor 1/9 turn (40°) to counter clockwise and pull toward motor to remove. (See Figure 16)
- Place plastic hex-body into vise and lightly tighten.
- Carefully remove nozzle from burner head using 5/8" socket wrench.
- Blow compressed air through face of nozzle. (this will remove any dirt in nozzle)
- Reinstall nozzle into nozzle adaptor until nozzle seats. Tighten 1/3 turn more using 5/8" socket wrench. (40~45 inch-pounds)
- Reinstall nozzle adaptor to burner head.
- Reinstall spark plug to nozzle adaptor.
- Attach ignitor wire to spark plug.
- Attach fuel and air line hoses to nozzle adaptor.
- Reinstall fan blade and upper shell.



**Figure 17 – Nozzle Replacement CP210FK**

(For Model CP210FK Only)

- Remove upper shell (See Air Intake Filter, page 12).
- Remove fan blade (See Fan Blades, page 13).
- Remove fuel and air line hoses from nozzle adaptor.
- Remove ignitor wire from spark plug.
- Remove spark plug from nozzle adaptor using medium Phillips screwdriver.
- Turn nozzle adaptor 1/8 turn (45°) to counter clock wise and pull toward motor to remove. (See Figure 17)
- Place plastic hex-body into vise and lightly tighten.
- Carefully remove nozzle from adaptor-nozzle using 5/8" socket wrench.
- Blow compressed air through face of nozzle. (this will remove any dirt in nozzle)
- Reinstall nozzle into nozzle adaptor until nozzle seats. Tighten 1/3 turn more using 5/8" socket wrench (40~45 inch-pounds)
- Reinstall nozzle adaptor to burner bracket
- Reinstall spark plug to nozzle adaptor.
- Attach ignitor wire to spark plug.
- Attach fuel and air line hoses to nozzle adaptor.
- Reinstall fan blade and upper shell.

# MAINTENANCE (cont.)

## SPARK PLUG

CLEAN AND REGAP EVERY 600 HOURS OF OPERATION OR REPLACE AS NEEDED.

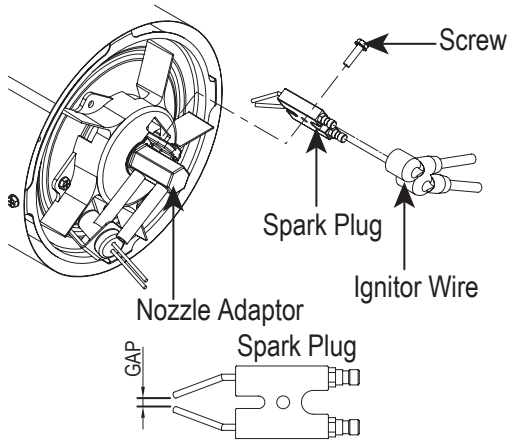


Figure 18 - Spark Plug Replacement

(For Models CP050EK-CP175FK)

- Remove upper shell (See Air Intake Filter, page 12).
- Remove fan (See Fan Blades, page 13).
- Remove ignitor wire from spark plug.
- Remove spark plug from nozzle adaptor using medium Phillips screwdriver.
- Clean and regap spark plug electrodes to 3.5mm gap.
- Reinstall spark plug to nozzle adaptor.
- Attach ignitor wire to spark plug.
- Reinstall fan and upper shell.

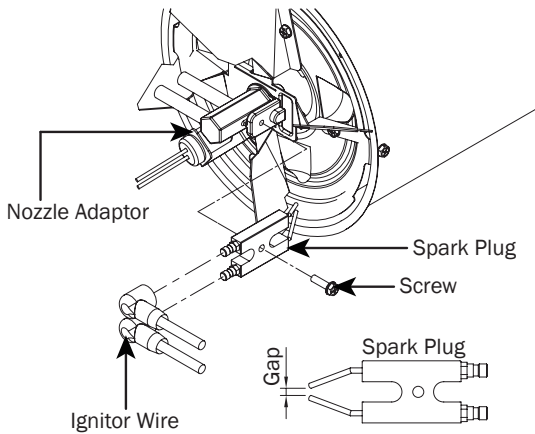


Figure 19 - Spark Plug Replacement

(For Model CP210FK only)

- Remove upper shell (See Air Intake Filter, page 12).
- Remove fan (See Fan Blades, page 13).
- Remove ignitor wire from spark plug.
- Remove spark plug from nozzle adaptor using medium Phillips screwdriver.
- Clean and regap spark plug electrodes to 3.5mm gap.
- Reinstall spark plug to nozzle adaptor.
- Attach ignitor wire to spark plug.
- Reinstall fan and upper shell.

## PHOTOCELL

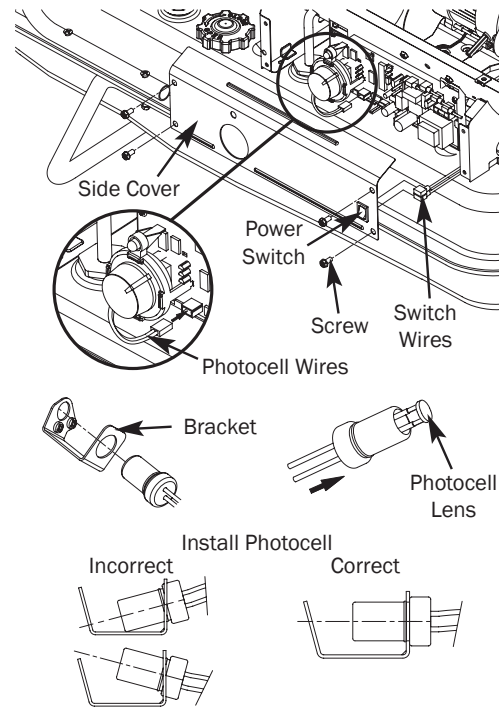


Figure 20 - Photocell Replacement

CLEAN PHOTOCELL ANNUALLY OR AS NEEDED.

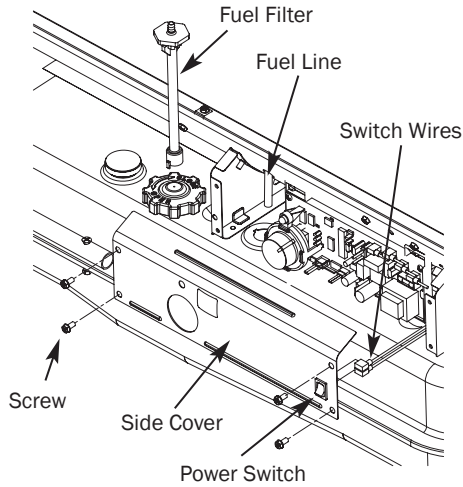
- Remove upper shell (See Air Intake Filter, page 12)
- Remove fan (See Fan Blades, page 13)
- Remove photocell from its mounting bracket.
- Clean photocell lens with cotton swab.

TO REPLACE: Remove side cover near power switch.

- Disconnect wires from power switch and remove side cover.
- Disconnect wires from circuit board and remove photocell.
- Install new photocell and attach wires to circuit board
- Replace switch wires to power switch and side cover.
- Replace fan and upper shell.

## FUEL FILTER

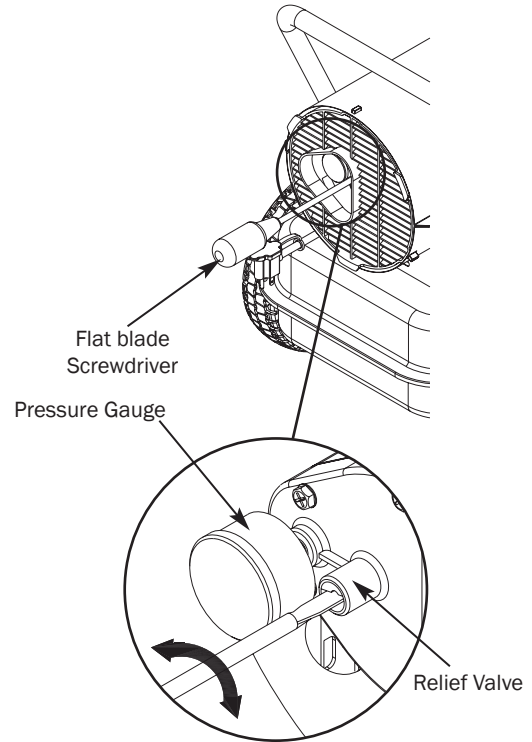
CLEAN OR REPLACE TWICE PER HEATING SEASON OR AS NEEDED.



**Figure 21 – Fuel Filter Replacement**

- Remove side cover screws using medium Phillips screwdriver.
- Disconnect switch wires from power switch and remove side cover.
- Pull fuel line off fuel filter neck.
- Turn fuel filter clockwise 90 degrees and pull to remove.
- Wash fuel filter with clean fuel and replace in tank.
- Attach fuel line to fuel filter neck.
- Reinstall side cover.

## PUMP PRESSURE ADJUSTMENT



**Figure 22 – Adjusting Pump Pressure**

- Start heater (See “Operation”, page 9).
- Allow motor to reach full speed.
- Adjust pressure (using flat blade screwdriver).
- Turn relief valve clockwise to increase pressure.
- Turn relief valve counterclockwise to decrease pressure.
- Set pump pressure to correct pressure for each model.
- Stop heater (see “Operation”, page 9).

Model	Pump pressure
CP050EK	3.8 PSI
CP075EK	3.8 PSI
CP125FK	5.5 PSI
CP175FK	6.5 PSI
CP210FK	8.5 PSI

**NOTE: USE ONLY ORIGINAL EQUIPMENT REPLACEMENT PARTS. Use of alternate or third party components will void warranty and may cause an unsafe operating condition.**

# MAINTENANCE (cont.)

## REPLACING FUSE

**NOTE:** The heater is fuse protected. If your heater fails to ignite, DO NOT RETURN YOUR HEATER TO THE STORE.

Please follow the simple instructions below to inspect and change the fuse.

- Unplug heater.
- Remove side cover screws using medium Phillips screwdriver

**⚠ WARNING**  
**Burn hazard!**

- **SHOCK HAZARD. To prevent personal injury, unplug the power cord before replacing fuse.**

- Remove fuse from fuse holder (See Figure 23).
- Replace fuse with enclosed fuse.
- Replace switch wires to power switch.
- Replace side cover.

**NOTE:** Specified fuse rating: AC 125/8A, part number 572447

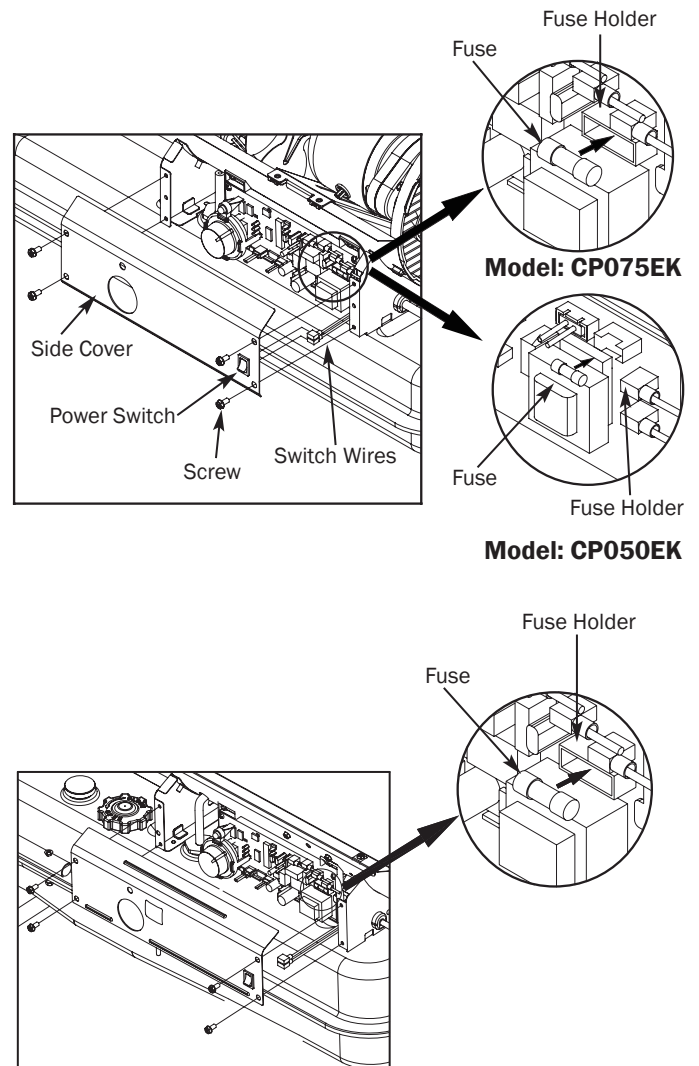


Figure 23 – Replacing Fuse

# WIRING DIAGRAM

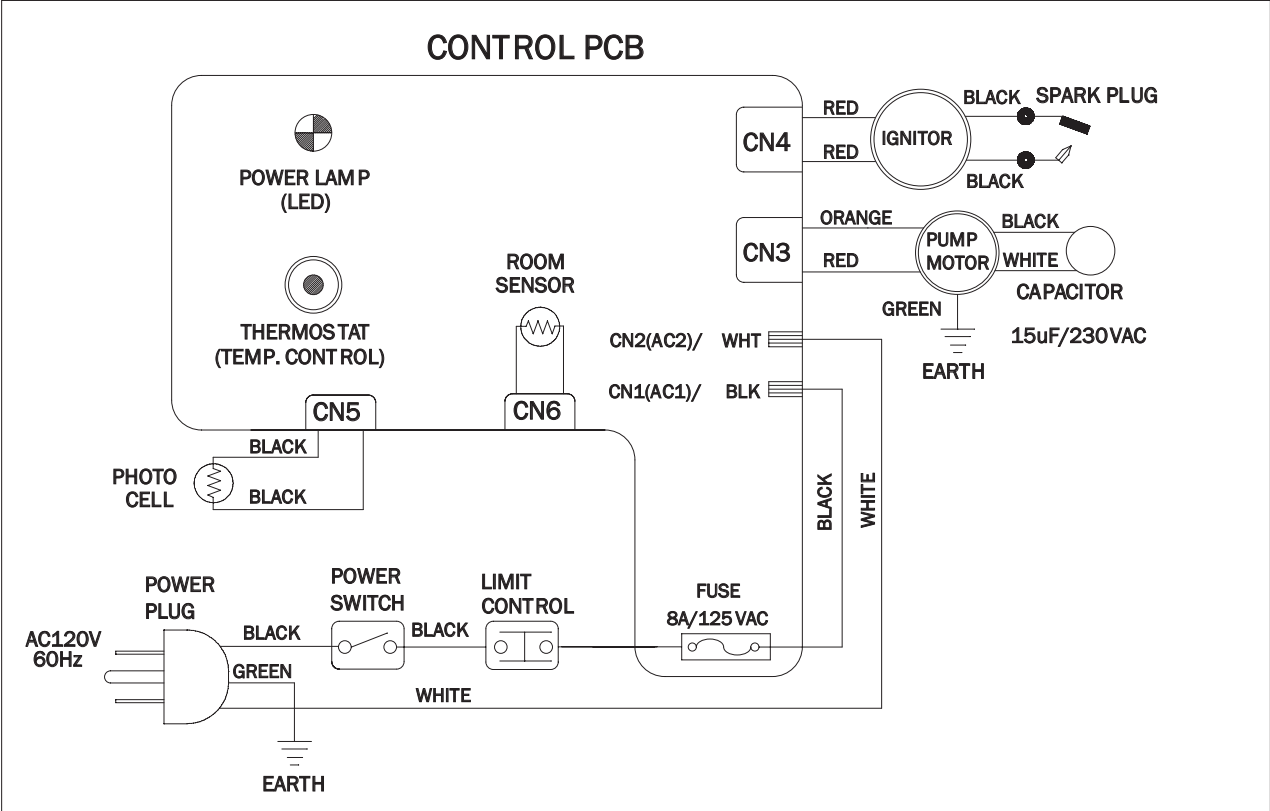


Figure 25 - Wiring Diagram Model CP075EK

# WIRING DIAGRAM

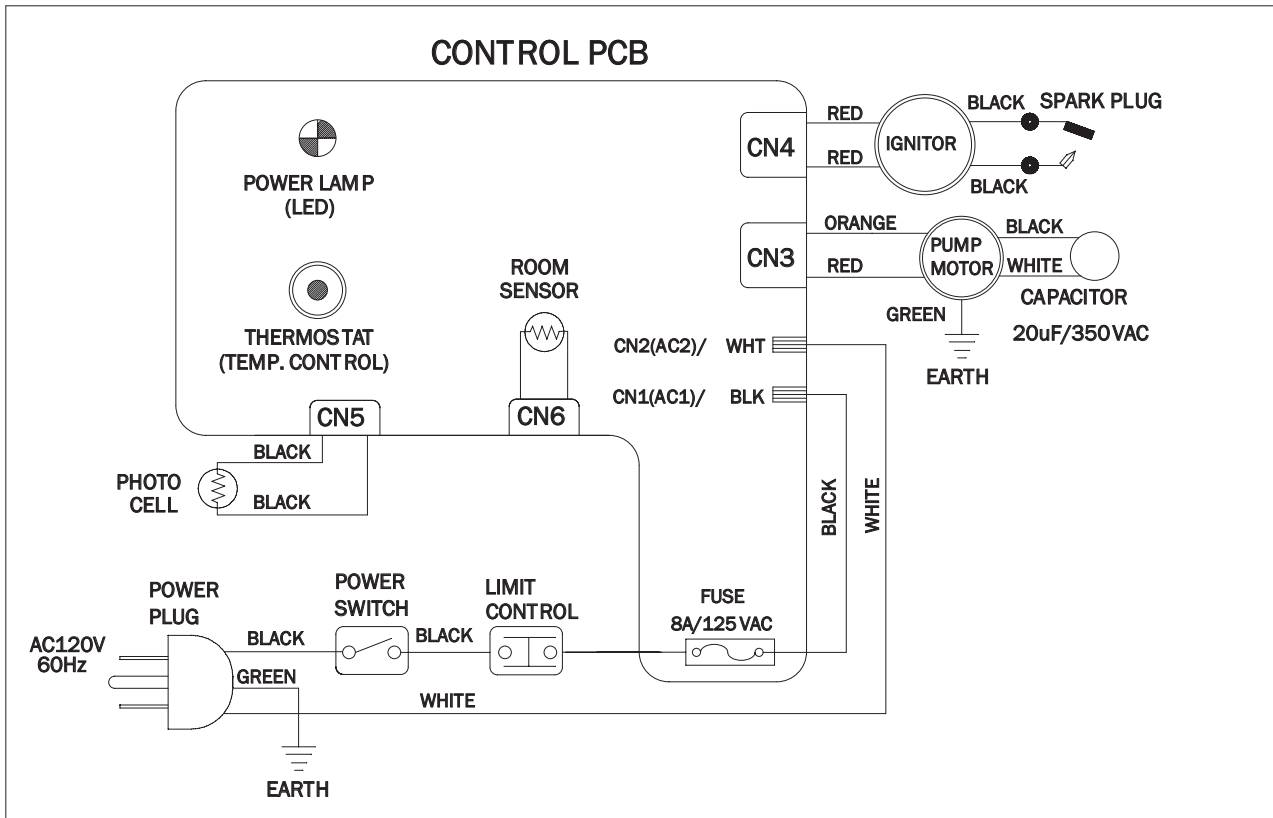


Figure 26 - Wiring Diagram Models CP125FK, CP175FK, CP210FK



# TROUBLESHOOTING

Symptom	Possible (Cause(s))	Corrective Action
Heater ignites but MAIN PCB assembly shuts heater off after a short period of time. (Indicator Lamp is flickering and room temp. display indicates "E1")	<ol style="list-style-type: none"> <li>1. Wrong pump pressure</li> <li>2. Dirty air output, air Intake or lint filter</li> <li>3. Dirty fuel filter</li> <li>4. Dirt in nozzle</li> <li>5. Dirty photocell lens</li> <li>6. Photocell assembly not properly Installed (not seeing the flame)</li> <li>7. Bad electrical connection between photocell and MAIN PCB assembly.</li> <li>8. Defective photocell</li> <li>9. Cracks in end filter cover.</li> <li>10. Defective rotor &amp; vane.</li> <li>11. Splits/cracks on air line.</li> <li>12. Air leaks around the pump area.</li> </ol>	<ol style="list-style-type: none"> <li>1. See Pump Pressure Adjustment, page 16</li> <li>2. See Air Output, Air Intake and Lint Filters, page 13</li> <li>3. See Fuel Filter, page 16</li> <li>4. See Nozzle, page 14</li> <li>5. Clean Photocell Lens, page 15</li> <li>6. Make sure photocell boot is properly seated in bracket, Page 15</li> <li>7. Check electrical components. See Wiring Diagrams, page 18</li> <li>8. Replace Photocell, page 15</li> <li>9. Check for cracks in end filter cover. Replace if cracked, page 13</li> <li>10. Check rotor &amp; vane condition. Replace if chipped, cracked, page 12</li> <li>11. Check air line for splits/cracks. Replace if split, cracked, page 13</li> <li>12. Check air leaks around the pump area, page 13</li> </ol>
Heater will not ignite but motor runs for a short period of time. (Indicator Lamp is flickering and room temp. display indicates " E1 ")	<ol style="list-style-type: none"> <li>1. No fuel in tank.</li> <li>2. Wrong pump pressure.</li> <li>3. Carbon deposits on spark plug and/ or improper gap.</li> <li>4. Dirty fuel filter.</li> <li>5. Dirt in Nozzle.</li> <li>6. Water in fuel tank.</li> <li>7. Bad electrical connection between ignitor and MAIN PCB assembly.</li> <li>8. Ignition wire is not attached to spark plug.</li> </ol>	<ol style="list-style-type: none"> <li>1. Fill tank with kerosene.</li> <li>2. See Pump Pressure Adjustment, Page 16.</li> <li>3. See Spark Plug, Page 15.</li> <li>4. See Fuel Filter, Page 16.</li> <li>5. See Nozzle, Page 14</li> <li>6. Flush fuel tank with clean kerosene, Page 12.</li> <li>7. Check electrical components See wiring diagram, Page 18.</li> <li>8. Attach ignitor to spark plug. See Spark Plug, Page 15.</li> </ol>
Fan does not turn when heater is plugged in and power switch was in the " ON " Position. (Indicator Lamp is on or flickering)	<ol style="list-style-type: none"> <li>1. Thermostat setting is too low.</li> <li>2. Bad electrical connection between motor and MAIN PCB assembly.</li> <li>3. Jammed/Rotor</li> </ol>	<ol style="list-style-type: none"> <li>1. Turn thermostat control knob to a higher setting.</li> <li>2. Check electrical connections, See Wiring Diagram, Page 18.</li> <li>3. Remove pump cover &amp; Replace rotor, ETC.</li> </ol>
(Indicator Lamp is flickering and room temp. display indicates "E2") (Indicator Lamp is flickering and room temp. display indicates "E3")	<ol style="list-style-type: none"> <li>1. Sensor Failure.</li> </ol>	<ol style="list-style-type: none"> <li>1. Replace sensor. See Wiring diagram, Page 18.</li> </ol>
Heater will not turn-on (Indicator Lamp is off)	<ol style="list-style-type: none"> <li>1. Thermostat switch failure</li> <li>2. Temperature limit safety device is overheated</li> <li>3. No electrical power</li> <li>4. Blown fuse</li> <li>5. Bad electrical connection between temperature limit safety device and PCB board</li> </ol>	<ol style="list-style-type: none"> <li>1. Replace MAIN PCB</li> <li>2. Turn power switch to "OFF" and allow to cool (about 10 min.)</li> <li>3. Check to insure heater cord and extension cord are plugged in. Check power supply</li> <li>4. Replace safety fuse in PCB board. See Replacing Fuse, page 17</li> <li>5. Check electrical connections. See Wiring Diagrams page 18</li> </ol>

# PARTS IDENTIFICATION

## PARTS SCHEMATIC (CP075EK)

**For Repair Parts,  
call 1-800-345-7200**

*Please provide following information:*

- Model number
- Serial number (if any)
- Part description and number as shown in parts list

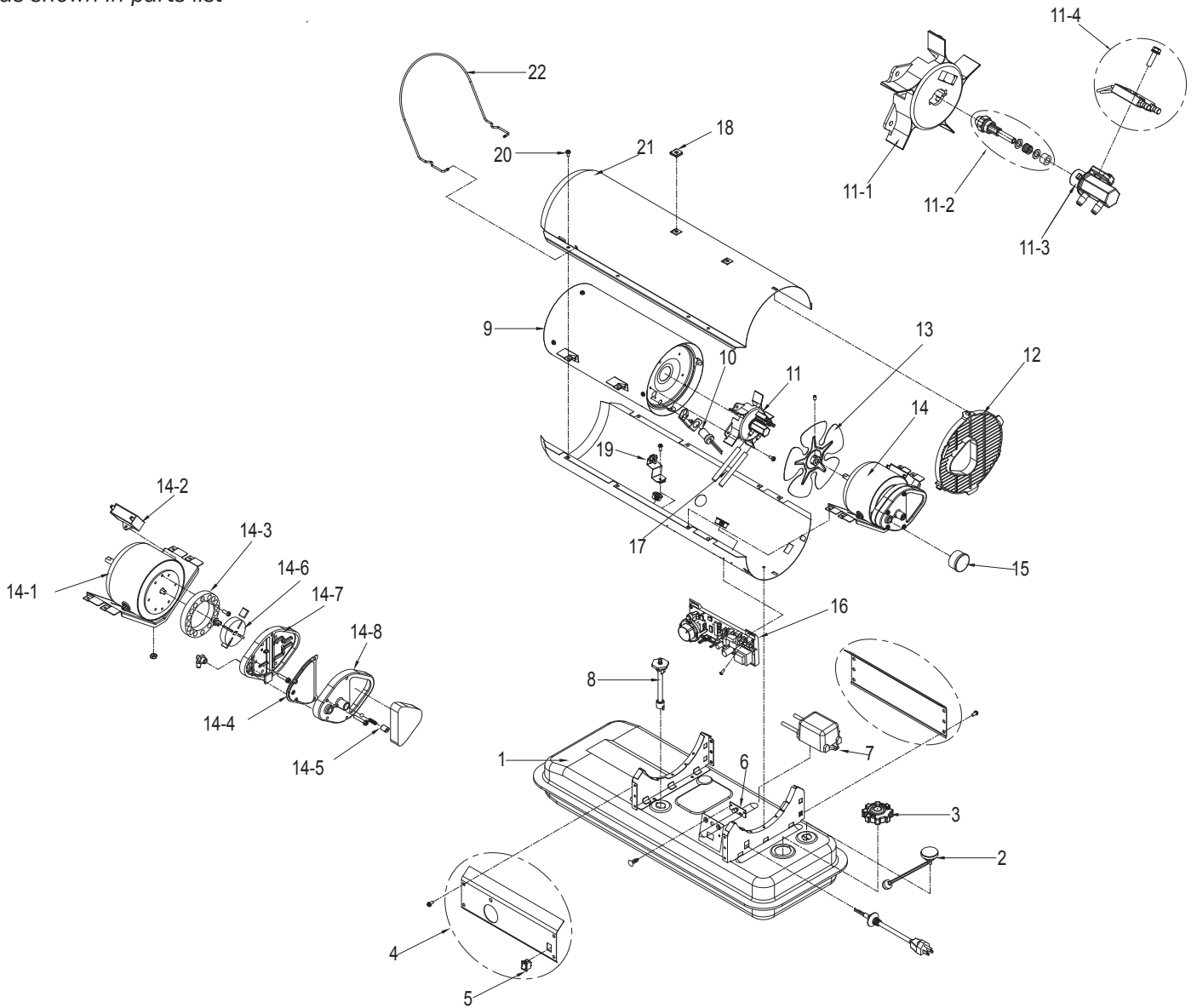


Figure 27 – Repair Parts Illustration for Portable Oil-Fired Heater Model CP075EK

## Parts List (CP075EK)

Reference Number	Description	Part Numbers for Model:
		CP075EK
1	Fuel Tank Assembly	573493
2	Fuel Gauge	572454
3	Fuel Cap	573414
4	Panel Right Side Assembly	573494
5	Power Switch	572251
6	Display P.C.B. Assembly	
7	Ignition Transformer	573399
8	Fuel Filter	572154
9	Combustion Chamber	573630
10	Photocell Assembly	572186
11	Burner Head Assembly	572903
11-1	Burner Head	572692
11-2	Nozzle Assembly	572193
11-3	Nozzle Adapter	572652
11-4	Spark Plug Assembly	572200
12	Fan Guard	573497
13	Fan Assembly	572233
14	Motor and Pump Assembly	573498
14-1	Motor	572694
14-2	Capacitor	572650
14-3	Pump Body	572223
14-4	Filter Kit*	572227
14-5	Pump Adjustment Kit***	572230
14-6	Rotor Kit**	572225
14-7	Pump Cover	572696
14-8	Filter Cover	572229
15	Pressure Gauge	572231
16	Main P.C.B. Assembly	573403
17	Air/Fuel Lines	572691
18	Clip Nut (2-Pack)	573499
19	Temperature Limit Assembly	572726
20	Screw (12-Pack)	572282
21	Upper Shell	573500
22	Front Guard	572270
	Fuse	572447
	Hardware Kit	572324
	Pump/Filter Cover Screws (10-Pack)	572283
	Filter Kit*- Includes Intake, Outlet, and Lint Filter	
	Rotor Kit** - Includes Rotor, Blades, and Insert	
	Pump Adjustment Kit*** - Includes Ball Spring and Adjusting Screw	

# PARTS IDENTIFICATION

## PARTS SCHEMATIC (CP125FK & CP175FK)

**For Repair Parts,  
call 1-800-345-7200**

*Please provide following information:*

- Model number
- Serial number (if any)
- Part description and number as shown in parts list

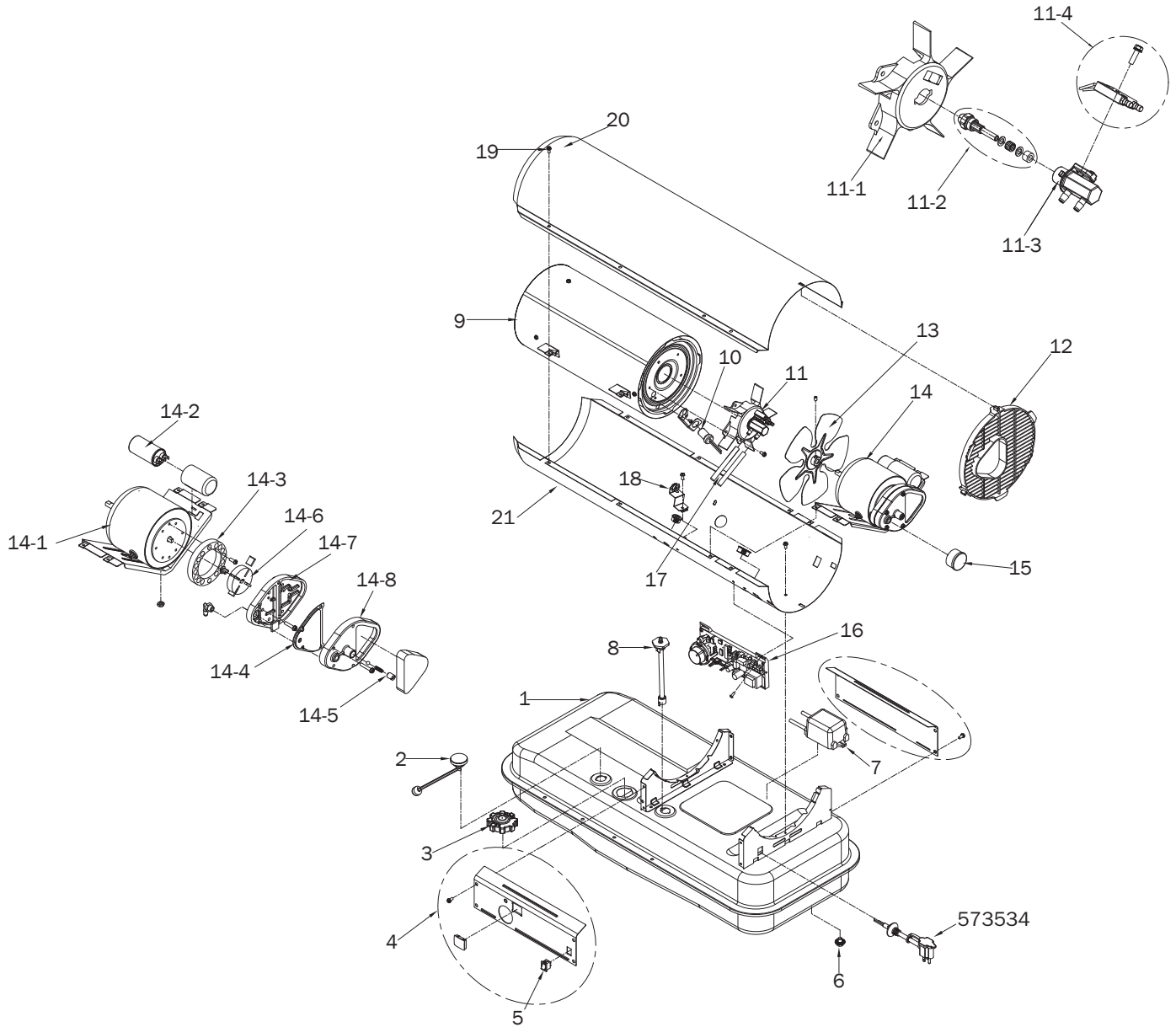


Figure 28– Repair Parts Illustration for Portable Oil-Fired Heater Models CP125EK, CP175EK

## Parts List (CP125FK & CP175FK)

Reference Number	Description	Part Number for Models:	
		CP125FK	CP175FK
1	Fuel Tank Assembly	573501	573508
2	Fuel Gauge	572455	572456
3	Fuel Cap	--573414--	
4	Panel Right Side Assembly	573502	573509
5	Power Switch	--572251--	
6	Drain Plug	--572450--	
7	Ignition Transformer	--573399--	
8	Fuel Filter	--572155--	
9	Combustion Chamber	573631	573632
10	Photocell Assembly	--572186--	
11	Burner Head Assembly	572897	572898
11-1	Burner Head	572705	572711
11-2	Nozzle Assembly	572194	572195
11-3	Nozzle Adapter	--572662--	
11-4	Spark Plug Assembly	--572202--	
12	Fan Guard	--573505--	
13	Fan Assembly	572234	572235
14	Motor and Pump Assembly	573506	573511
14-1	Motor	572709	572716
14-2	Capacitor	--572655--	
14-3	Pump Body	--572223--	
14-4	Filter Kit*	--572227--	
14-5	Pump Adjustment Kit***	--572230--	
14-6	Rotor Kit**	--572225--	
14-7	Pump Cover	--572696--	
14-8	Filter Cover	--572229--	
15	Pressure Gauge	--572231--	
16	Main P.C.B. Assembly	--573402--	
17	Air/Fuel Lines	572704	572712
18	Temperature Limit Assembly	572727	572933
19	Screw (12-Pack)	--572282--	
20	Upper Shell	573507	573512
21	Lower Shell	573783	573784
	Fuse	--572447--	
	Hardware Kit	--572928--	
	Pump/Filter Cover Screws (10-Pack)	--572283--	
	Filter Kit* - Includes Intake, Outlet, and Lint Filter		
	Rotor Kit** - Include Rotor, Blades, and Insert		
	Pump Adjustment Kit*** - Includes Ball Spring and Adjusting Screw		

# PARTS IDENTIFICATION

## PARTS SCHEMATIC (CP210FK)

**For Repair Parts,  
call 1-800-345-7200**

*Please provide following information:*

- Model number
- Serial number (if any)
- Part description and number as shown in parts list

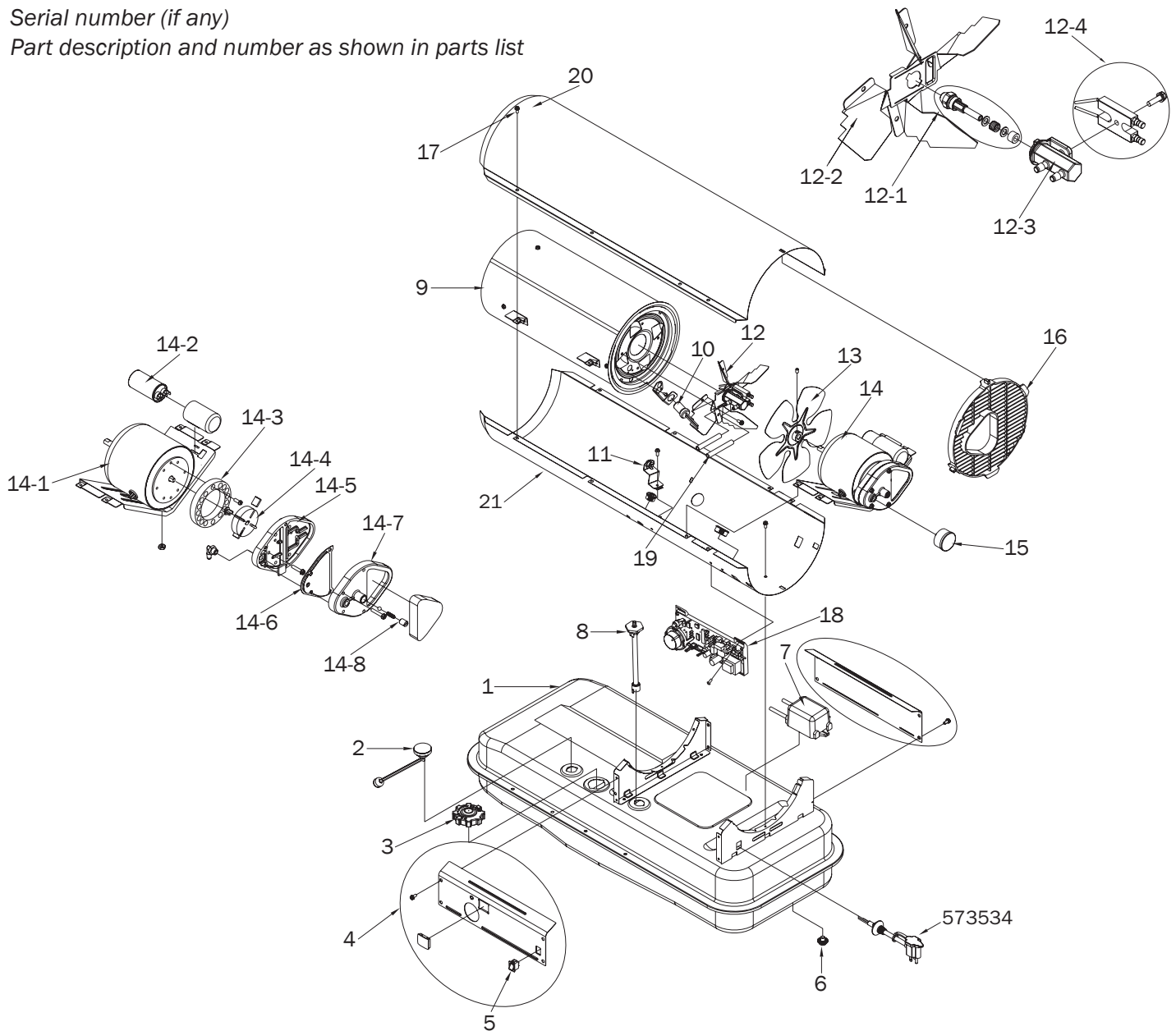


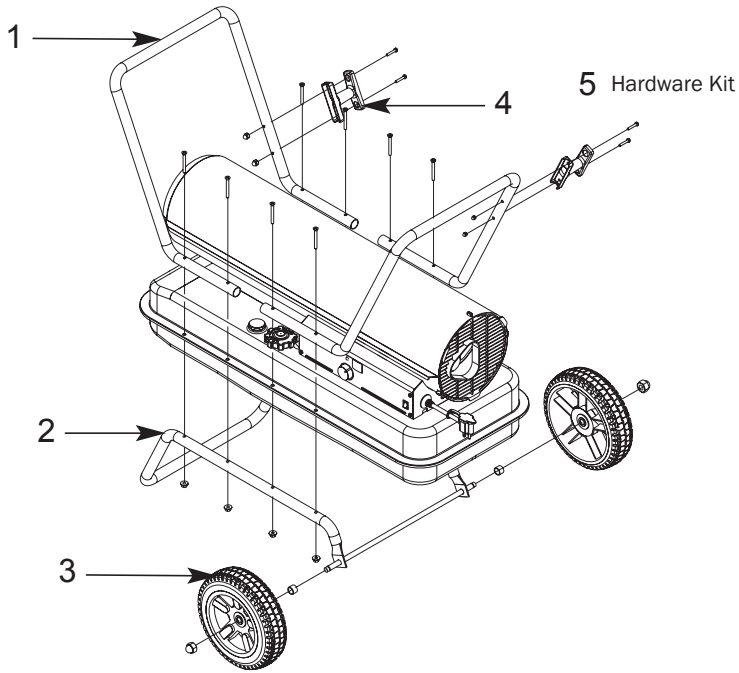
Figure 29 – Repair Parts Illustration for Portable Oil-Fired Heater Model CP210FK

## Parts List (CP210FK)

Reference Number	Description	Part Number for Model: CP210FK
1	Fuel Tank Assembly	573513
2	Fuel Gauge	572457
3	Fuel Cap	573414
4	Panel Right Side Assembly	573526
5	Power Switch	572251
6	Drain Plug	572450
7	Ignition Transformer	573399
8	Fuel Filter Assembly	572155
9	Combustion Chamber	573514
10	Photocell Assembly	572186
11	Temperature Assembly	572725
12	Burner Assembly	
12-1	Nozzle Assembly	572196
12-2	Bracket Burner	572719
12-3	Nozzle Adapter	572662
12-4	Spark Plug Assembly	572202
13	Fan Assembly	572235
14	Motor and Pump Assembly	573515
14-1	Motor	572723
14-2	Capacitor	572655
14-3	Pump Body	572224
14-4	Rotor Kit**	572226
14-5	Pump Cover	572696
14-6	Filter Kit*	572227
14-7	Filter Cover	572229
14-8	Pump Adjustment Kit***	572230
15	Pressure Gauge	572231
16	Fan Guard	573505
17	Screw (12-Pack)	572282
18	Main P.C.B Assembly	573402
19	Air/Fuel Lines	572718
20	Upper Shell	573517
21	Lower Shell	573785
	Hardware Kit	572928
	Fuse	572447
	Pump/Filter Cover Screws (10-Pack)	572283
	Filter Kit* - Includes Intake, Outlet, and Lint Filter	
	Rotor Kit** - Include Rotor, Blades, and Insert	
	Pump Adjustment Kit*** - Includes Ball Spring and Adjusting Screw	

# PARTS IDENTIFICATION

## PARTS SCHEMATIC HANDLES & WHEELS



**For Repair Parts,  
call 1-800-345-7200**

*Please provide following information:*

- Model number
- Serial number (if any)
- Part description and number as shown in parts list

Figure 30- Repair Parts Illustration for Models CP125FK, CP175FK, CP210FK

### Replacement Parts List for Models CP125FK, CP175FK, CP210FK

Reference Number	Description	Part Number for Model:	
		CP125FK	CP175FK & CP210FK
1	Upper Handle Kit	572927	572926
2	Wheel Support/Axle Kit	572273	572277
3	Wheels Kit		573416
4	Cordwrap Kit		572275
5	Hardware Kit		572928



---

# Warranty Policy

## EQUIPMENT

---

L.B. White Co., Inc. warrants that the component parts of its heater are free from defects in material and workmanship, when properly installed, operated, and maintained in accordance with the Owner's Manual safety guides and labels contained with each unit. If, **within 24 months from the date of purchase by the end user**, any component is found to be defective, L.B. White Co., Inc. will at its option, repair or replace the defective part or heater, with a new part or heater, F.O.B., Onalaska, Wisconsin, USA.

Registering your product online with L.B. White will automatically qualify a unit and its component parts for warranty consideration. If a product has not been registered with L.B.White, a copy of the bill of sale will be required to establish warranty qualification. If neither is available, the warranty period will be 24 months from date of shipment from L.B.White.

## PARTS

---

L.B. White Co., Inc. warrants that replacement parts purchased from the company and used on the appropriate L. B. White heater are free from defects both in material and workmanship for **24 months from the date of purchase by the end user**. Warranty is automatic if a component is found defective within 24 months of the date code marked on the part. If the defect occurs more than 24 months later than the date code but within 24 months from the date of purchase by the end user, a copy of a bill of sale will be required to establish warranty qualification.

The warranty set forth above is the exclusive warranty provided by L.B. White, and all other warranties, including any implied warranties or merchantability or fitness for a particular purpose, are expressly disclaimed. In the event any implied warranty is not hereby effectively disclaimed due to operation of law, such implied warranty is limited

induration to the duration of the applicable warranty stated above. The remedies set forth above are the sole and exclusive remedies available hereunder. L.B. White will not be liable for any incidental or consequential damages directly or indirectly related to the sale, handling or use of the heater, and in any event L.B. White's liability in connection with the heater, including for claims based on negligence or strict liability, is limited to the purchase price. Some states do not allow limitations on how long an implied warranty lasts, so the above limitation may not apply to you. Some states do not allow the exclusion or limitation of incidental or consequential damages, so the above limitation or exclusion may not apply to you. This warranty gives you specific legal rights, and you may also have other rights which vary from state to state.

**To register your product and ensure full warranty, go to <http://www.lbwhite.com/product-registration>. Please have the serial number(s) and model(s) handy for the products you are registering.**

---

## Replacement Parts and Service

Contact your local L.B. White dealer for replacement parts and service. You may also call L.B White Co., Inc. at (800)345-7200 for assistance or email to [customerservice@lbwhite.com](mailto:customerservice@lbwhite.com).

Be sure that you have heater model number and configuration number when calling.





# Guide de l'utilisateur et instructions

## Appareil de chauffage au kérosène Tradesman



MODÈLES	DÉBIT DE SORTIE (BTUH)	CARBURANT
CP075EK	75,000	1-K Kérosène
CP125FK	125,000	
CP175FK	175,000	
CP210FK	210,000	

Certification par:



### SCANNEZ CE CODE QR

avec votre téléphone intelligent ou visitez <http://goo.gl/nvneR> pour visionner les vidéos d'entretien des appareils de chauffage de L.B.White.\*



\*Nécessite une application telle que QR Droid pour Android ou QR Reader pour iPhone.

## Félicitations!

**Vous avez acheté le meilleur appareil portable de chauffage par ventilation forcée au kérosène pour la construction disponible.**

Votre nouvel appareil de chauffage L.B. White est doté des avantages des fabricants les plus expérimentés en produits de chauffage utilisant la technologie de pointe.

Nous, chez L.B. White, vous remercions pour votre confiance en nos produits et apprécions toutes les suggestions et commentaires que vous pouvez avoir...

Appelez-nous, sans frais, au (800) 345-7200 ou envoyez-nous un courriel au [customerservice@lbwhite.com](mailto:customerservice@lbwhite.com)

### ATTENTION À TOUS LES UTILISATEURS

Cet appareil de chauffage a été testé et évalué par le C.S.A. International conformément aux exigences des normes UL733 et ANSI A10.10-1998, CAN/CSA B140.0-03 et CSA B140.8 - 1967 et est enregistré et approuvé en tant qu'appareil de chauffage par ventilation forcée au kérosène pour la construction outillé pour le chauffage temporaire de bâtiments en construction, modification et réparation. Si vous envisagez d'utiliser ce produit pour une autre application que son utilisation prévue, veuillez contacter L.B. White Co., Inc.



Des appareils de chauffage de qualité sur lesquels vous pouvez compter.

411 Mason St., Onalaska, WI 54650 • (800) 345-7200 • (608) 783-5691 • (608) 783-6115, fax • [info@lbwhite.com](mailto:info@lbwhite.com)

150-30086



## RISQUES GÉNÉRAUX AVERTISSEMENT

- Le non-respect des précautions et des instructions fournies avec cet appareil de chauffage peut causer :
  - Mort
  - Blessures ou brûlures corporelles graves
  - Dommages à la propriété ou perte due à un feu ou à une explosion
  - Asphyxie due à un approvisionnement en air insuffisant ou un empoisonnement au monoxyde de carbone
  - Choc électrique
- Lisez ce guide de l'utilisateur avant d'installer ou d'utiliser ce produit.
- Seuls les réparateurs formés adéquatement devraient réparer ou installer cet appareil de chauffage.
- Conservez ce guide de l'utilisateur pour utilisation future et référence.
- Le guide de l'utilisateur et les étiquettes de remplacement sont disponibles sans frais. Visitez le site web, ou pour avoir de l'assistance, contactez L.B. White au 800-345-7200.



### AVERTISSEMENT Risque de feu et d'explosion

- Ne pas utiliser à la maison ou dans un véhicule récréatif.
- L'installation de cet appareil de chauffage à la maison ou dans un véhicule de récréation peut causer un feu ou une explosion.
- Le feu et les explosions peuvent causer des dommages à la propriété ou la mort.

### POUR VOTRE SÉCURITÉ

N'entreposez pas ou n'utilisez pas d'essence ou d'autres vapeurs et liquides inflammables à proximité de cet appareil outout autre appareil.



### AVERTISSEMENT Risque de feu et d'explosion

- Gardez les combustibles solides à une distance sécuritaire de l'appareil de chauffage.  
  
Les combustibles solides incluent le bois, le papier, les produits en plastique, les matériaux de construction et la poussière.
- N'utilisez pas l'appareil de chauffage dans des espaces contenant ou pouvant contenir des combustibles volatils ou aériens.
- Les combustibles volatils ou aériens incluent l'essence, les solvants, les diluants à peinture, les particules de poussière et des substances chimiques non identifiées.
- Le non-respect de ces instructions peut causer des feux ou des explosions.
- Le feu et les explosions peuvent causer des dommages à la propriété, des blessures, ou la mort.



# Table des matières

## SECTION PAGE

Information générale	2
Spécifications de l'appareil de chauffage	3
Informations de sécurité	
Définitions des risques	5
Informations générales de sécurité	5
Installation et instructions d'assemblage	
Spécifications de l'appareil de chauffage	7
Assemblage	8
Opération	
Aperçu du design de l'appareil de chauffage	9
Le système de sécurité	9
Choix de combustibles	9
Alimenter votre appareil de chauffage	10
Mettre en marche l'appareil de chauffage	10
Éteindre l'appareil de chauffage	10
Redémarrer l'appareil de chauffage	10
Prises de courant additionnelles	10
Entreposer à long terme votre appareil de chauffage	11
Entretien	
Réservoir à carburant	12
Filtre d'entrée d'air	12
Entrée d'air /Filtre à peluche	12
Rotor/Pales, Pièce rotative	12
Pales de ventilateur	13
Buse	14
Bougie d'allumage	15
Cellule photovoltaïque	15
Filtre à carburant	16
Ajustement de la pompe à pression	16
Remplacement des fusibles	17
Schéma de câblage	18
Dépannage	20
Identification des pièces	
Schéma des pièces (CP075EK)	21
Liste des pièces (CP075EK)	22
Schéma des pièces (CP125FK & CP175FK)	23
Liste des pièces (CP125FK & CP175FK)	24
Schéma des pièces (CP210FK)	25
Liste des pièces (CP210FK)	26
Schéma des pièces (Poignées/roues)	27
Informations sur la garantie	28

## Information générale

Ce guide d'utilisation comprend l'ensemble des options et accessoires communément utilisés avec cet appareil de chauffage. Lorsque vous appelez le service d'assistance technique, ou pour toute autre information spécifique, ayez toujours le numéro du modèle, le numéro de configuration et le numéro de série en main. Cette information se trouve sur la plaque signalétique. Ce guide vous indiquera comment utiliser et entretenir votre appareil. Assurez-vous qu'un technicien qualifié révise le manuel en votre compagnie afin que vous compreniez entièrement l'appareil de chauffage et comment il fonctionne.

L'installation, la réparation et l'entretien de l'appareil de chauffage requièrent une formation continue spécialisée et une connaissance des appareils de chauffage au kérosène, et ne devraient pas être essayés par des individus non qualifiés. Contactez votre distributeur L.B. White local ou la L.B. White Co., Inc. pour de l'assistance, ou si vous avez des questions sur l'utilisation de l'équipement ou son usage. La L.B. White Co., Inc. a une politique d'amélioration continue du produit. Celle-ci réserve le droit de changer les spécifications et le design sans avertissement.

# Spécifications de l'appareil de chauffage

## Modèle

SPÉCIFICATION	CP050EK	CP075EK
Type de carburant	1-K, Kerosene	
Entrée maximale (Btu/h)	50,000	75,000
Pression de la pompe (psi)	3.8	3.8
Consommation de carburant par heure (gal)	.38	.57
Caractéristiques du moteur	Roulement à bille	
	1/8 HP, 3,300 RPM	1/8 HP, 3120 RPM
Alimentation électrique (Volts/Hz/Phase)	120/60/1	
Ampérage	<b>OPÉRATION CONTINUE</b> 1.6	1.6
Dimensions (pouces) longueur x largeur x hauteur	32" x 11.8" x 16.8"	
Distances sécuritaires minimales des matériaux combustibles les plus près	<b>HAUT</b>	4 ft.
	<b>CÔTÉS</b>	4 ft.
	<b>ARRIÈRE</b>	4 ft.
	<b>SORTIE D'AIR</b>	8 ft.
	<b>CONTENANT DE STOCKAGE DU COMBUSTIBLE</b>	25 ft.
Poids net (lb)	27.6	27.6
Poids d'expédition (lb)	32.0	32.0
Température ambiante minimale à laquelle l'appareil de chauffage peut être utilisé	-20 °F	

# Spécifications de l'appareil de chauffage

## Modèle

SPÉCIFICATIONS	CP125FK	CP175FK	CP210FK
Type de carburant	1-K, Kérosène		
Entrée maximale (Btu/h)	125,000	175,000	210,00
Pression de la pompe (psi)	5.5	6.5	8.5
Consommation de carburant par heure (gal)	.95	1.32	1.6
Caractéristiques du moteur	Roulement à bille		
	1/5HP 3455 RPM	1/4HP 3430 RPM	1/3HP 3380 RPM
Alimentation électrique (Volts/Hz/Phase)	120/60/1		
Ampérage	<b>OPÉRATION CONTINUE</b> 2.5	3.2	3.7
Longueur x largeur x hauteur	36.1" x 21.5" x 24.6"	41.8" x 23.1" x 26.1"	
Distances sécuritaires minimales des matériaux combustibles les plus près	<b>Haut</b>	4 ft.	
	<b>Côtés</b>	4 ft.	
	<b>Arrière</b>	4 ft.	
	<b>Sortie d'air</b>	8 ft.	
	<b>Contenant de stockage du combustible</b>	25 ft.	
Poids net (lb)	56.4	62.8	64.4
Poids d'expédition (lb)	63.7	71.6	73.2
Température ambiante minimale à laquelle l'appareil de chauffage peut être utilisé	-20° F		

---

# Informations de sécurité

## DÉFINITIONS DES RISQUES

---

 **DANGER**

Indique une situation dangereuse imminente qui, si elle n'est pas évitée, **CAUSERA** la mort ou des blessures sérieuses.

 **AVERTISSEMENT**

Indique une situation dangereuse potentielle qui, si elle n'est pas évitée, **POURRAIT** causer la mort ou des blessures sérieuses.

 **MISE EN GARDE**

Indique une situation dangereuse potentielle qui, si elle n'est pas évitée, **POURRAIT** causer des blessures mineures ou modérées.

## INFORMATIONS GÉNÉRALES DE SÉCURITÉ

---

 **AVERTISSEMENT**

Avant d'utiliser cet appareil de chauffage, lisez ce guide de l'utilisateur bien attentivement. Ce guide de l'utilisateur a été conçu pour vous indiquer la façon appropriée d'assembler, entretenir, entreposer, et surtout comment utiliser l'appareil de chauffage de manière sécuritaire et efficace.

 **AVERTISSEMENT**

Ne laissez jamais l'appareil de chauffage sans surveillance pendant qu'il chauffe!

 **DANGER**

L'utilisation inappropriée de cet appareil de chauffage peut résulter en des blessures sérieuses ou la mort causée par des brûlures, des feux, des explosions, des chocs électriques, et/ou l'empoisonnement au monoxyde de carbone.



## INFORMATIONS GÉNÉRALES DE SÉCURITÉ (suite)



### AVERTISSEMENT

#### Risque d'empoisonnement au monoxyde de carbone!

- Utiliser cet appareil de chauffage uniquement dans les endroits bien aérés. Fournir une ventilation appropriée. Une ventilation appropriée pour la combustion doit être fournie conformément au OSHA 29 CFR 1926.154, appareil de chauffage temporaire. ANSI. A 10.10, exigences de sécurité pour les appareils de chauffage portables et temporaires, ou le code d'installation du gaz naturel et du propane, CAN/CSA B149.1 tel qu'approprié.
- N'utilisez jamais cet appareil de chauffage dans les zones de vie et de repos.
- Empoisonnement au monoxyde de carbone : des signes précurseurs du carbone tels que les maux de tête, les étourdissements et/ou la nausée. Si vous avez ces symptômes, votre appareil de chauffage peut ne pas fonctionner adéquatement.
- Aérez immédiatement! Faites entretenir votre appareil de chauffage.
- Les individus avec des problèmes respiratoire devraient consulter un médecin avant d'utiliser l'appareil de chauffage.



### AVERTISSEMENT

#### Risque de choc électrique!

- Utilisez uniquement l'énergie électrique (voltage et fréquence) telle que spécifiée sur la plaque signalétique de l'appareil de chauffage. Utilisez uniquement une prise de courant à trois trous mise à la terre et une rallonge électrique.
- Installez TOUJOURS l'appareil de chauffage de façon à ce qu'il ne soit pas directement exposé à de la vapeur d'eau, de la pluie, des gouttes d'eau ou du vent.
- Débranchez TOUJOURS l'appareil de chauffage lorsqu'il n'est pas utilisé.



**AVERTISSEMENT:** Ce produit et le combustible utilisé pour le faire fonctionner (kérosène ou autre combustible approuvé), de même que les produits de sa combustion, peuvent vous exposer à des substances chimiques comme le benzène, reconnu par l'État de la Californie commecausant le cancer et des problèmes de reproduction. Pour plus de renseignements, visitez le [www.p65Warnings.ca.gov](http://www.p65Warnings.ca.gov)

**RÉSIDENTS DE MASSACHUSETTS:** La loi de l'État du Massachusetts interdit l'utilisation de cet appareil de chauffage dans tous les bâtiments utilisés totalement ou en partie pour l'habitation humaine. L'utilisation de l'appareil de chauffage au Massachusetts nécessite un permis du service d'incendies local (M.E.L.C. 148, Section 10A).

**RÉSIDENTS CANADIENS:** L'utilisation de cet appareil de chauffage doit être conforme auprès des autorités compétentes et à la norme CSA B139.

**RÉSIDENTS DE NEW YORK:** Uniquement pour l'utilisation sur des sites de construction conformes aux codes applicables de NYC sous le certificat d'approbation du NYCFD #5034 et #5037



### AVERTISSEMENT

#### Risque de brûlures/Incendie/Explosion!

- Gardez tous les matériaux combustibles loin de l'appareil de chauffage.  
Espaces minimaux  
Sortie 8 pieds (250 cm)  
Côtés, haut et arrière 4 pieds (125 cm)
- N'utilisez JAMAIS des carburants tels que l'essence, le benzène, les diluants à peinture, ou tout autre composé huileux dans cet appareil de chauffage (RISQUE DE FEU OU D'EXPLOSION).
- N'utilisez JAMAIS cet appareil de chauffage où des vapeurs inflammables peuvent être présentes.
- Ne remplissez JAMAIS le réservoir à carburant lorsque l'appareil de chauffage est en marche ou encore chaud. Cet appareil de chauffage est EXTRÊMEMENT CHAUD lorsqu'il est en marche.
- Ne bloquez JAMAIS l'entrée d'air (arrière) ou la sortie d'air (avant) de l'appareil de chauffage.
- N'utilisez JAMAIS de gaines et conduits d'air à l'avant ou à l'arrière de l'appareil de chauffage.
- Ne bougez ou manipulez JAMAIS l'appareil de chauffage pendant qu'il est encore chaud.
- Ne transportez JAMAIS l'appareil de chauffage avec du carburant dans le réservoir.
- Lorsqu'il est utilisé avec un thermostat optionnel ou s'il est équipé d'un thermostat, l'appareil de chauffage peut se mettre en marche à tout moment.
- Placez TOUJOURS l'appareil de chauffage sur une surface stable et plane.
- N'utilisez JAMAIS de carburant autre que le 1-K kérosène, le #1/#2 diesel/mazout, les carburants JET A ou JP-8 dans cet appareil de chauffage.
- L'entreposage du carburant devrait être à un minimum de 25 pieds de l'appareil de chauffage, de flammes, de générateurs portables, ou toute autre source d'ignition. Tout l'entreposage de carburant devrait être conforme auprès des autorités compétentes fédérales, d'état ou locales.

# Installation et instructions d'assemblage

## SPÉCIFICATIONS DE L'APPAREIL DE CHAUFFAGE

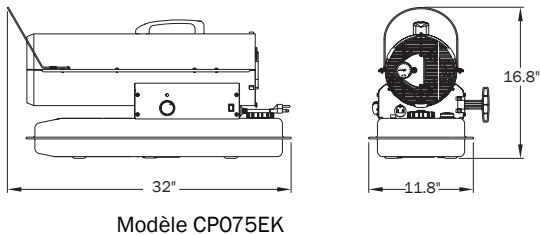
### Introduction

Lisez ce guide de l'utilisateur attentivement. Il vous montrera comment assembler, entretenir et utiliser l'appareil de chauffage de façon sécuritaire et efficace afin d'obtenir tous les avantages de ses caractéristiques. Consommateur : Conserver ces instructions pour des références futures.

### Déballage

1. Retirer tous les éléments d'emballage utilisés pour l'expédition de l'appareil de chauffage.
2. Retirer toutes les pièces de la boîte.
3. Vérifier toutes les pièces pour des dommages dus à l'expédition. Si l'appareil de chauffage est endommagé, informez immédiatement le distributeur à qui vous avez acheté l'appareil de chauffage.

### Dimensions



Modèle CP075EK

Figure 1.1 - Dimensions de l'appareil de chauffage

### Dimensions

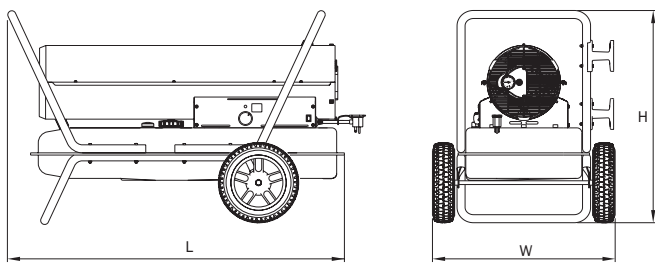


Figure 1.2 - Dimensions de l'appareil de chauffage

	CP125FK	CP175FK CP210FK
Hauteur	24.6"	26.1"
Longueur	36.1"	41.8"
Largeur	21.5"	23.1"

### Caractéristiques du produit

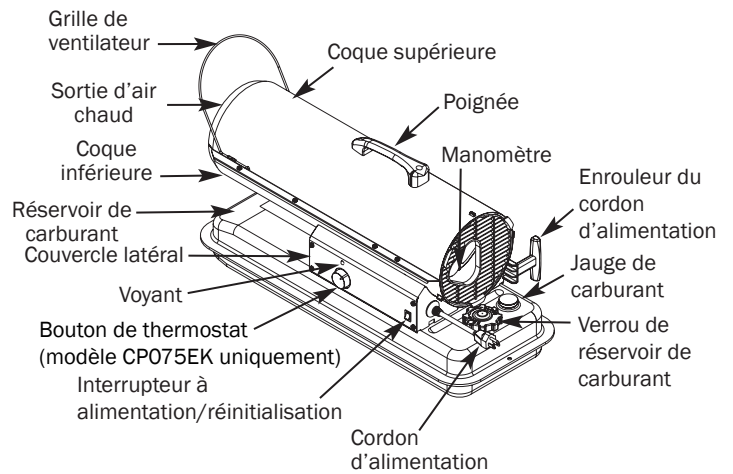


Figure 2.1 - Caractéristiques

### Caractéristiques du produit

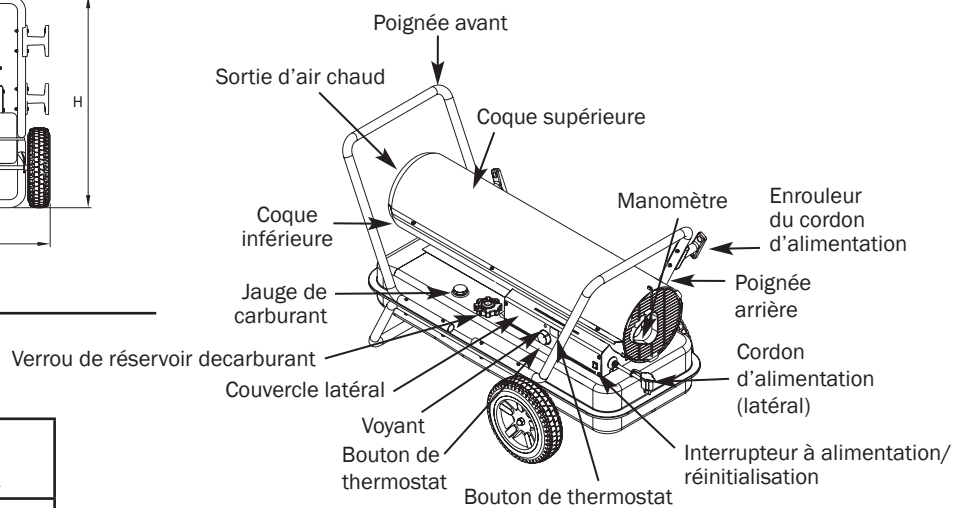


Figure 2.1 - Caractéristiques

# Installation et instructions d'assemblage

## ASSEMBLAGE

### OUTILS REQUIS

#### CP075EK

- Tournevis à embout étoile.

1. Soulevez la grille du ventilateur pour déterminer le sens de la flèche et assurez-vous que la section oblique de la grille s'engage dans la fente de la coque supérieure.
2. Retirez les vis pré-assemblées de la coque supérieure et du couvercle latéral.
3. Alignez les trous de la coque supérieure avec les deux trous de montage sur la poignée tel qu'illustré à la figure 4.
4. Fixez la poignée à l'aide des vis précédemment enlevées.
5. Insérez l'enrouleur du cordon d'alimentation dans les trous rectangulaires du support et alignez le trou de l'enrouleur avec le trou de montage sur le couvercle latéral, tel qu'illustré à la figure 4.
6. Fixez l'enrouleur du cordon d'alimentation à l'aide des vis précédemment enlevées.

#### CP125FK/CP175FK/CP210FK

- Tournevis à embout étoile.

- Clé ouverte de 5 mm, ou clé ajustable.

1. Glissez l'essieu fileté dans la section arrière du cadre-support de roue.
2. Glissez une bague d'essieu de chaque côté de l'essieu. Glissez une roue de chaque côté de l'essieu.
3. Attachez un écrou borgne de chaque côté de l'essieu fileté et serrez bien.
4. Placez l'appareil de chauffage sur le cadre-support de roue. Assurez-vous que l'entrée d'air à l'arrière de l'appareil de chauffage est au dessus des roues. Alignez les trous sur les trous de la bride du réservoir de carburant. Insérez les vis à travers les poignées (avant et arrière), la bride du réservoir à carburant, et le cadre-support de roue tel qu'illustré à la figure 5 et serrez l'écrou manuellement à la suite de chaque vis insérée.
5. Une fois que toutes les vis sont insérées, serrez les écrous fermement.
6. Alignez les trous des poignées (avant et arrière) avec les trous de montage sur l'enrouleur du cordon d'alimentation.
7. Insérez les vis dans l'enrouleur du cordon d'alimentation et les poignées tel qu'illustré à la figure 5 et serrez l'écrou manuellement à la suite de chaque vis insérée.
8. Une fois que toutes les vis sont insérées, serrez les écrous fermement.



### AVERTISSEMENT

#### Risque de feu ou d'explosion!

- N'utilisez pas l'appareil de chauffage si le cadre-support n'est pas totalement assemblé au réservoir.

Modèle	CP075EK	CP125FK	CP175FK	CP210FK
Cadre-support de roue	Non	Oui	Oui	Oui
Roue	Non	Oui	Oui	Oui
Poignée avant	Non	Oui	Oui	Oui
Poignée arrière	Non	Oui	Oui	Oui
Essieu	Non	Oui	Oui	Oui
Enrouleur de cordon d'alimentation	Oui	Oui	Oui	Oui
Ensemble de matériel	Non	Oui	Oui	Oui
Poignée	Oui	Non	Non	Non

#### Modèle CP075EK

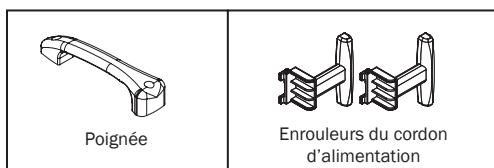


Figure 3.1 - Identification de pieces

#### Modèles CP125FK/CP175FK/CP210FK

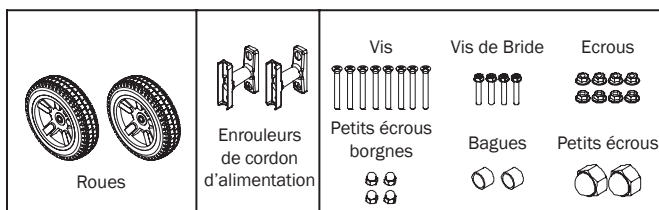


Figure 3.2 - Identification de pieces

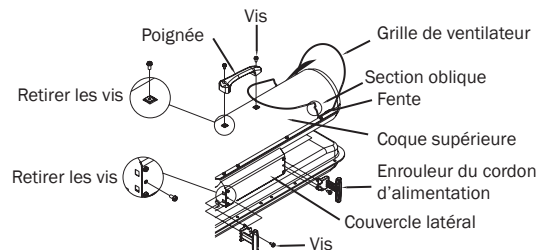
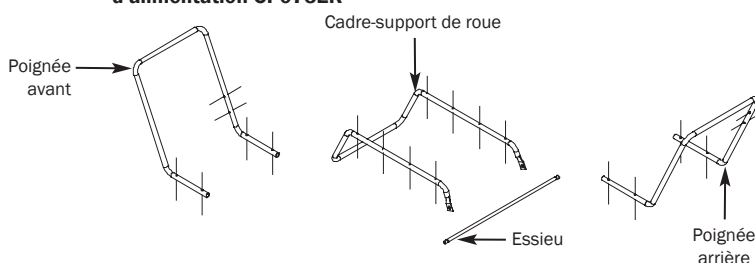
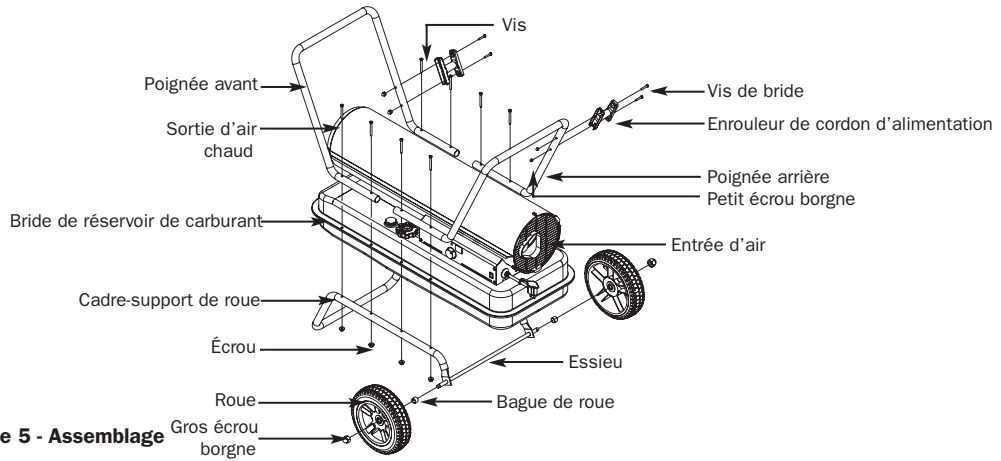


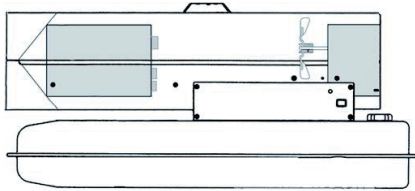
Figure 4 - Installation de la poignée et de l'enrouleur du cordon d'alimentation CP075EK



# Assemblage (suite)



## OPÉRATION



### APERÇU DU DESIGN DE L'APPAREIL DE CHAUFFAGE

**Système de carburant:** Cet appareil de chauffage est équipé d'une pompe à air électrique qui aspire l'air à travers le conduit d'air relié à l'apport de carburant, et ensuite à travers une buse dans la tête de brûleur. Lorsque l'air passe devant l'apport de carburant, cela entraîne l'élévation du carburant dans le réservoir jusque dans le gicleur du brûleur. Ce mélange d'air et de carburant est ensuite vaporisé dans la chambre de combustion dans une fine bruine.

**Ignition de manière sûre:** Le dispositif d'allumage électrique envoie du voltage dans une bougie d'allumage spécialement désignée. La bougie d'allumage démarre le mélange d'air et de carburant décrit précédemment.

**Le système d'air:** Le moteur haute performance fait tourner un ventilateur qui attire l'air à l'intérieur et à l'extérieur de la chambre à combustion. À cet endroit, l'air est réchauffé et ensuite attiré à l'extérieur de l'appareil de chauffage.

### LE SYSTÈME DE SÉCURITÉ

**Limiteur de température:** Cet appareil de chauffage est équipé d'un limiteur de température conçu pour éteindre l'appareil de chauffage si la température interne atteint un niveau non sécuritaire. Si le dispositif s'active et éteint votre appareil de chauffage, celui-ci peut nécessiter de l'entretien. Une fois que la température tombe sous la température initiale, vous pouvez redémarrer votre appareil de chauffage.

**La protection du système électrique** Le système électrique de l'appareil de chauffage est protégé par un fusible fixé à l'assemblage de la carte mère qui le protège ainsi que d'autres pièces électriques des dommages. Si votre appareil de chauffage ne fonctionne pas, vérifiez d'abord le

fusible et remplacez-le au besoin.

**Détecteur d'extinction du moteur :** Utilisez une cellule photovoltaïque pour contrôler la flamme dans la chambre de combustion durant l'utilisation normale. Ceci causera l'arrêt de l'appareil de chauffage si la flamme du brûleur s'éteint.

### CHOIX DE COMBUSTIBLES

1. Tous les modèles peuvent utiliser sept combustibles différents : du kérosène K1, du mazout no 1, du diesel n 1, du mazout no 2, du diesel no 2, du carburant JET A et du JP-8.
2. Le kérosène K1 est recommandé pour une combustion et des performances optimales et pour moins d'entretien. Le K-1 est également le meilleur choix de combustible pour les températures extrêmement basses de  $-9,4\text{ }^{\circ}\text{C}$  ( $15\text{ }^{\circ}\text{F}$ ) et moins, puisque son point d'écoulement et son point de gélification varient en fonction de la raffinerie, mais sont toujours bien en dessous des températures les plus basses atteintes en Amérique du Nord.
3. Les carburants JET A et JP-8 sont aussi d'excellents choix pour une combustion propre, un entretien réduit et des températures sous  $-9,4\text{ }^{\circ}\text{C}$  ( $15\text{ }^{\circ}\text{F}$ ), mais ils sont surtout réservés à l'usage militaire ou à l'industrie de l'aviation.
4. Le mazout no 1, le diesel no 1, le mazout no 2 et le diesel no 2 sont souvent sélectionnés, puisqu'ils sont facilement accessibles. Toutefois, l'utilisateur doit comprendre que le mazout et le diesel sont moins raffinés, et il doit donc être conscient des points suivants :
  - a. Le diesel no 1 et le mazout no 1 dégageront un peu plus de fumé/suie pendant l'allumage ainsi qu'une forte odeur et demanderont un entretien et un nettoyage plus fréquents.
  - b. Le diesel no 2 et le mazout no 2, selon la raffinerie régionale, brûlent de manière plus salissante que les combustibles no 1. L'utilisation des combustibles no 2 entraînera un peu plus de fumée/suie pendant l'allumage, une odeur plus forte et un nettoyage et un entretien plus réguliers que les combustibles no 1.
  - c. À des températures sous  $-9,4\text{ }^{\circ}\text{C}$  ( $15\text{ }^{\circ}\text{F}$ ), la majorité des mélanges de diesel/ mazout deviendront plus visqueux (commencent à se gélifier), puisque le diesel sera sous son point d'écoulement (commence à se gélifier), ce qui pourrait poser un défi à l'allumage du radiateur et à son utilisation continue. Il existe des étapes de dépannages pour cette situation, mais il est recommandé de sélectionner du K1 (ou du JP-8/JET A) à des températures sous  $-9,4\text{ }^{\circ}\text{C}$  ( $15\text{ }^{\circ}\text{F}$ ). Plus les températures sont froides, plus le diesel sera susceptible de se gélifier.

Modèle	Limite de température interne +/-10	Température de redémarrage +/-10 degrés
CP075EK	176°F/80°C	122°F/50°C
CP125FK	230°F/110°C	194°F/90°C
CP175FK	158°F/70°C	104°F/40°C
CP210FK	194°F/90°C	140°F/60°C



d. La gélification du diesel survient lorsque la paraffine utilisée dans ce combustible commence à se solidifier en raison d'une chute de température. À 0 °C (32 °F), la cire sous forme liquide se cristallisera et brouillera le combustible, ce qui pourrait commencer à affecter le filtre à carburant et la buse. Si la buse s'encrasse, la forme du jet ne sera plus la bonne, ce qui peut causer de la fumée blanche et des problèmes de performance.

### Fonctionnement (suite)

**LE KÉROSÈNE DOIT ÊTRE UNIQUE-MENT STOCKÉ DANS UN CONTENANT CLAIREMENT DÉSIGNÉ PAR LE MOT « KÉROSÈNE ». LE KÉROSÈNE NE DOIT JAMAIS ÊTRE STOCKÉ DANS UN CONTENANT ROUGE.**

En effet, les contenants rouges sont associés à l'essence. N'entreposez **JAMAIS** le kérosène dans une pièce d'habitation. Le kérosène devrait toujours être entreposé dans un endroit bien ventilé, hors des pièces d'habitation.

N'utilisez **JAMAIS** de combustible autre que du kérosène 1-K (Diesel # 1 / # 2 / mazout / JET A ou JP-8 sont des substituts acceptables).

N'utilisez **JAMAIS** de combustible tel que de l'essence, du benzène, de l'alcool, de l'essence de bateau à moteur, du combustible de réchaud de camping, du diluant de peinture ou autre composé de pétrole dans cet appareil de chauffage. Ces combustibles sont volatiles et peuvent générer une explosion ou des flammes incontrôlables.

N'entreposez **JAMAIS** de kérosène à la lumière directe du soleil ou près d'une source de chaleur. N'utilisez **JAMAIS** de kérosène qui a été entreposé pendant toute une saison. Le kérosène se détériore avec le temps.

**LE KÉROSÈNE « USAGÉ » NE BRÛLERA PAS CORRECTEMENT DANS CET APPAREIL DE CHAUFFAGE.**

### ALIMENTER VOTRE APPAREIL DE CHAUFFAGE

Ne remplissez jamais le réservoir de carburant de l'appareil de chauffage dans les zones de vie : remplissez le réservoir à l'extérieur.

Ne faites pas déborder votre appareil de chauffage et assurez-vous qu'il soit à niveau.



#### **AVERTISSEMENT**

**Risque de feu et d'explosion!**

- **Ne remplissez jamais votre réservoir de carburant lorsque l'appareil de chauffage est allumé ou encore chaud.**

**IMPORTANT:** CONCERNANT LA PREMIÈRE MISE EN MARCHÉ DE L'APPAREIL DE CHAUFFAGE. La première fois que vous allumez votre appareil de chauffage, vous devez le faire À L'EXTÉRIEUR. Ceci permettra aux huiles, etc., utilisées durant la fabrication de l'appareil de chauffage, de brûler à l'extérieur.

### METTRE EN MARCHÉ L'APPAREIL DE CHAUFFAGE

1. Remplissez le réservoir à carburant avec du carburant.  
REMARQUE : Le kérosène est recommandé lorsque la température descend sous 0°F (-18°C) afin de prévenir un retardement ou un échec de la mise en marche.
2. Fixez le bouchon du réservoir de combustible.
3. Branchez le cordon d'alimentation de l'appareil de chauffage dans une rallonge mise à la terre à trois broches. La rallonge doit mesurer au moins 6 pi de.
  - Calibre des fils de rallonge requis :
    - avec une rallonge de 6 à 100 pi (1,80 à 30,53 m) de long, utilisez un conducteur de calibre 16 AWG.
    - avec une rallonge de 101 à 200 pi (30,80 à 61 m) de long, utilisez un conducteur de calibre 14 AWG.

### PAS DE THERMOSTAT À 50

4. Tournez le bouton du thermostat à la température désirée et poussez l'interrupteur à la position « ON ». Le voyant s'allumera et l'appareil de chauffage sera mis en marche.

**REMARQUE:** L'affichage de la température de la pièce s'explique comme suit:

- Lorsque la température de la pièce est inférieure à 0° : « lo ».
- Lorsque la température de la pièce se situe entre 0° et 99° : « la température s'affiche »
- Lorsque la température est supérieure à 99° : « Hi »

Si l'appareil de chauffage ne se met pas en marche, le thermostat est peut-être réglé trop bas. Tournez le BOUTON DE RÉGLAGE DU THERMOSTAT à une température plus élevée pour mettre en marche l'appareil de chauffage. Si l'appareil de chauffage ne se met toujours pas en marche, tournez l'interrupteur à la position « OFF » et ensuite à la position « ON » (voir figure 7.1 et 7.2). Si l'appareil de chauffage ne se met toujours pas en marche, voir la section dépannage à la page 18.

**REMARQUE:** La majorité des composantes électriques de cet appareil de chauffage sont protégées par un fusible de sûreté monté sur une carte de circuits imprimés. Si votre appareil de chauffage ne se met pas en marche, vérifiez ce fusible en premier et remplacez-le si nécessaire. Vous devriez également vérifier votre source de courant afin de vous assurer que le voltage et la fréquence appropriés alimentent l'appareil de chauffage.

## OPÉRATION (suite)

### ÉTEINDRE L'APPAREIL DE CHAUFFAGE

Poussez l'interrupteur à « OFF » et débranchez le cordon d'alimentation.

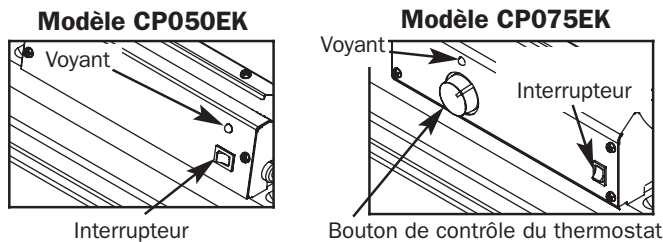


Figure 7.1 - Contrôles

### Modèle CP125FK, CP175FK, CP210FK

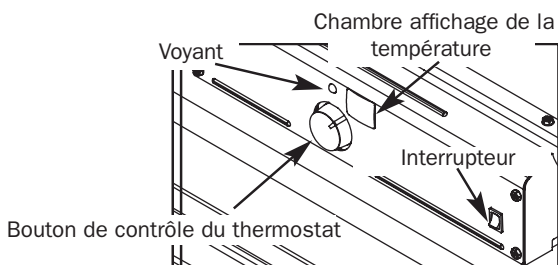


Figure 7.1 - Contrôles

### REDÉMARRER L'APPAREIL DE CHAUFFAGE

1. Patientez 10 secondes après avoir éteint l'appareil de chauffage.
2. Recommencer les étapes sous « METTRE EN MARCHÉ L'APPAREIL DE CHAUFFAGE. »

### PRISES DE COURANT ADDITIONNELLES

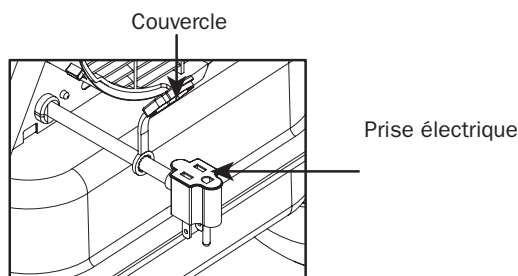


Figure 7.2 - Contrôles



#### AVERTISSEMENT

#### RISQUE DE CHOC ÉLECTRIQUE!

- Recouvrez toujours la prise électrique lorsqu'elle n'est pas utilisée. Ne branchez pas et n'utilisez pas un dispositif de courant de plus de 5A dans cette prise.

### ENTREPOSER À LONG TERME VOTRE APPAREIL DE CHAUFFAGE

#### VIDANGE DU RÉSERVOIR DE CARBURANT CP075EK

1. Videz le réservoir de carburant par l'orifice du bouchon du réservoir.

2. En utilisant une petite quantité de kérosène, faites tourbillonner et rincer l'intérieur du réservoir. NE MÉLANGEZ JAMAIS DE L'EAU AVEC LE KÉROSÈNE, car l'intérieur du réservoir se rouillerait. Évacuez le kérosène en vous assurant de ne pas en laisser à l'intérieur.

**IMPORTANT:** N'entreposez pas le kérosène durant les mois d'été pour l'utiliser à la saison de chauffage suivante. L'utilisation de kérosène usagé peut endommager votre appareil de chauffage.

3. Réinstallez le bouchon du réservoir. Éliminez correctement le carburant usagé et souillé.
- Assurez-vous que le lieu d'entreposage est exempt de poussière et d'émanations corrosives.
- Entreposez l'appareil de chauffage dans sa boîte originale avec le matériel d'emballage et conservez le GUIDE DE L'UTILISATEUR avec l'appareil de chauffage.

#### VIDANGE DU RÉSERVOIR DE CARBURANT CP125FK et CP175FK et CP210FK

1. Retirez le boulon de vidange du dessous du réservoir à carburant. Voir figure 9.

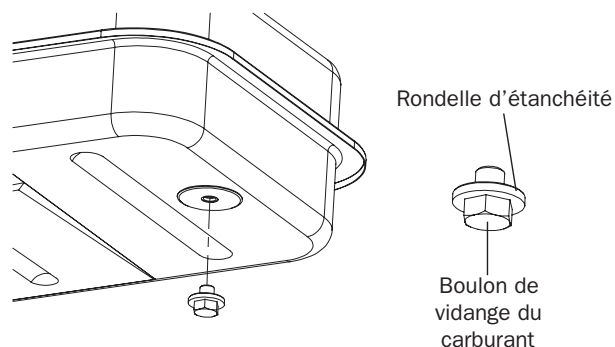


Figure 9 - Retrait du boulon de vidange

2. En utilisant une petite quantité de kérosène, faites tourbillonner et rincer l'intérieur du réservoir.

NE MÉLANGEZ JAMAIS DE L'EAU AVEC LE KÉROSÈNE, car l'intérieur du réservoir se rouillerait. Évacuez le kérosène en vous assurant de ne pas en laisser à l'intérieur.

**IMPORTANT:** N'entreposez pas le kérosène durant les mois d'été pour l'utiliser à la saison de chauffage suivante. L'utilisation de kérosène usagé peut endommager votre appareil de chauffage.

3. Réinstallez le bouchon du réservoir. Éliminer correctement le carburant usagé et souillé.
- Assurez-vous que le lieu d'entreposage est exempt de poussière et d'émanations corrosives.
- Entreposez l'appareil de chauffage dans sa boîte originale avec le matériel d'emballage et conservez le GUIDE DE L'UTILISATEUR avec l'appareil de chauffage.

UTILISEZ LES PIÈCES DE RECHANGE D'ORIGINE. L'utilisation d'autres pièces ou de composants de tiers peut annuler la garantie et créer des conditions d'utilisation dangereuses.



## AVERTISSEMENT

**Risque de feu ou d'explosions!**

- Ne jamais entretenir l'appareil de chauffage lorsqu'il est branché ou encore chaud!

## RÉSERVOIR À CARBURANT

Effectuez la vidange toutes les 200 HEURES D'UTILISATION OU AU BESOIN (voir « entreposer à long terme votre appareil de chauffage », page 11).

## FILTRE D'ENTRÉE D'AIR

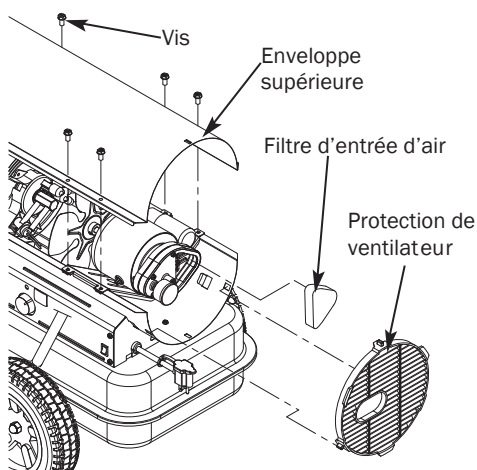


Figure 10 - Accès au filtre d'entrée d'air

LAVEZ À L'EAU SAVONNEUSE ET SÉCHEZ TOUTES LES 500 HEURES D'UTILISATION OU AU BESOIN.

- Retirez les vis de chaque côté de l'appareil de chauffage à l'aide d'un tournevis à embout étoile.
- Soulevez la coque supérieure.
- Retirez la grille du ventilateur.
- Lavez ou remplacez le filtre d'entrée d'air.
- Réinstallez la grille du ventilateur et la coque supérieure.

## FILTRE DE SORTIE D'AIR, FILTRE À

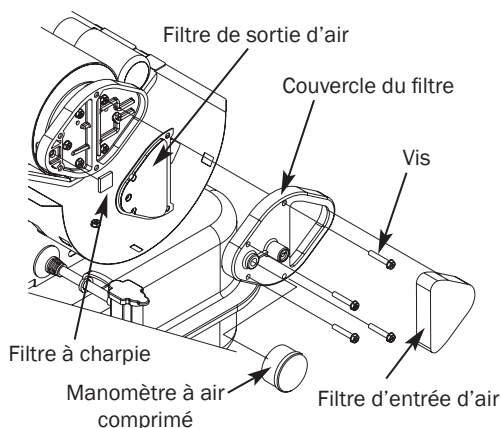


Figure 11 - Assemblage du filtre

REMPLEZ TOUTES LES 500 HEURES D'UTILISATION OU UNE FOIS PAR ANNÉE

- Retirez la coque supérieure et la grille du ventilateur (voir le filtre d'entrée d'air, figure 10).
- Tournez le manomètre à air comprimé dans le sens contraire des aiguilles d'une montre et retirez-le.
- Retirez les vis du couvercle du filtre avec un tournevis à embout étoile.
- Retirez le couvercle du filtre.
- Remplacez le filtre de sortie d'air et le filtre à charpie.
- Réinstallez le couvercle du filtre et le manomètre à air comprimé.
- Réinstallez la grille du ventilateur et la coque supérieure.

## ENTRETIEN DE LA POMPE

### • ROTOR DE LA POMPE

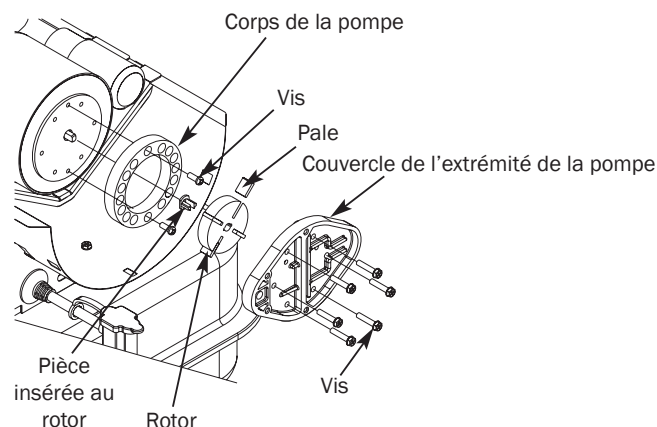


Figure 12 - Assemblage de la pompe du rotor

REMPLEZ SI ÉCAILLÉ, CRAQUÉ OU AU BESOIN

- Retirez la coque supérieure et la grille du ventilateur (voir filtre d'entrée d'air, figure 10).
- Tournez le manomètre à air comprimé dans le sens contraire des aiguilles d'une montre et retirez les vis du couvercle du filtre à l'aide d'un tournevis à embout étoile (voir filtre de sortie d'air, filtre à charpie, figure 11).
- Retirez le filtre de sortie d'air et le filtre à charpie.
- Retirez les vis du couvercle de l'extrémité de la pompe à l'aide d'une clé à douille 5/16 po (8mm).
- Réinstallez le rotor, les quatre pales et la pièce de plastique insérée au rotor. Toutes ces pièces doivent être réinstallées au même moment.

## ENTRETIEN (suite)

### ENTRETIEN DE LA POMPE (suite)

#### • OUVERTURE DU ROTOR

**IMPORTANT:** Le rotor nouvellement inséré doit présenter une ouverture adéquate avant que le couvercle de l'extrémité de la pompe soit réinstallé.

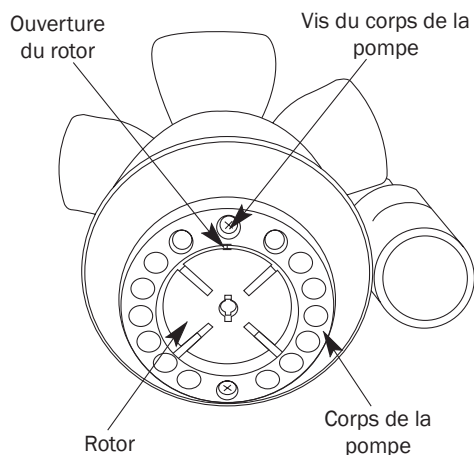


Figure 13 - Ouverture du rotor

- Desserrez légèrement les vis du corps de la pompe en utilisant un tournevis à embout étoile.
- Positionnez le corps de la pompe pour régler l'ouverture du rotor à 0,003 po ~ 0,004 po au point le plus haut et resserrez les vis du corps de la pompe.
- Vérifiez l'ouverture en utilisant des calibres d'épaisseur, un micromètre ou un billet.
- Réinstallez le couvercle d'extrémité de la pompe.
- Réinstallez le filtre de sortie d'air et le filtre à charpie.
- Réinstallez le couvercle du filtre et le manomètre à air comprimé.
- Réinstallez la grille du ventilateur et la coque supérieure.

#### • CONDUIT D'AIR (FUITE)

REMPLACEZ SI FENDU, CRAQUÉ OU AU BESOIN.

- Retirez le conduit d'air du raccord de conduit d'air (voir figure 14) et de l'adaptateur de buse (voir buse, page 14).
- Réinstallez le conduit d'air au raccord de conduit d'air et à l'adaptateur de buse.

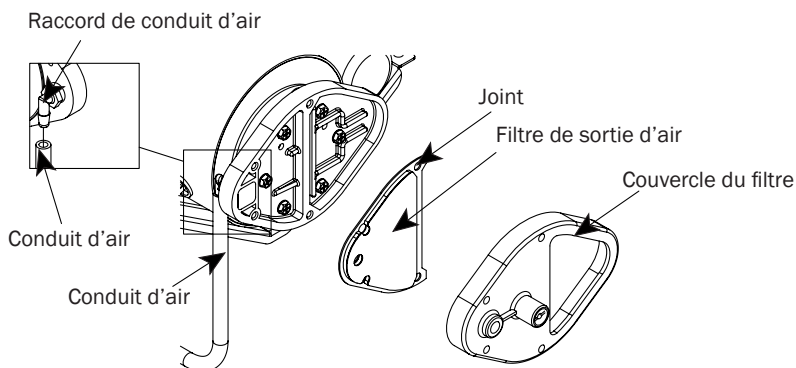


Figure 14 - Vérification des fuites d'air près de la pompe.

#### • COUVERCLE DU FILTRE ET JOINT

REMPLACEZ SI FENDU, CRAQUÉ OU AU BESOIN.

- Remplacez le couvercle du filtre (voir filtre de sortie d'air, page 12)
- Remplacez le filtre de sortie d'air (voir filtre de sortie d'air, page 12)

### HÉLICES DE VENTILATEUR

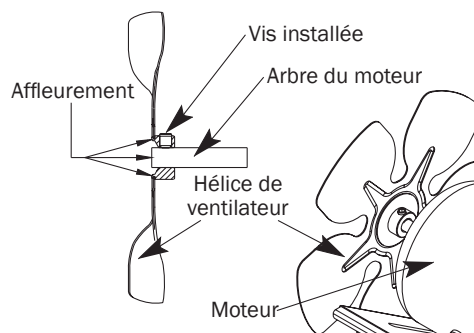


Figure 15 - Assemblage du ventilateur

NETTOYEZ À CHAQUE SAISON OU AU BESOIN

- Retirez la coque supérieure (voir filtre d'entrée d'air, figure 10).
- Utilisez une clé Allen pour desserrer la vis sélectionnée qui maintient l'hélice du ventilateur à l'arbre du moteur.
- Glissez l'hélice du ventilateur hors de l'arbre du moteur.
- Nettoyez l'hélice du ventilateur à l'aide d'un chiffon doux humidifié avec du kérosène ou du solvant.
- Séchez l'hélice du ventilateur rigoureusement.
- Réinstallez l'hélice du ventilateur à l'arbre du moteur.
- Placez le moyeu de l'hélice du ventilateur de façon à ce qu'il affleure l'extrémité de l'arbre du moteur.
- Placez la vis sélectionnée sur la partie plate de l'arbre.
- Serrez la vis fermement (40-50 pouces-livres/4.5-5.6 Nm).
- Réinstallez la coque supérieure.



## BUSE

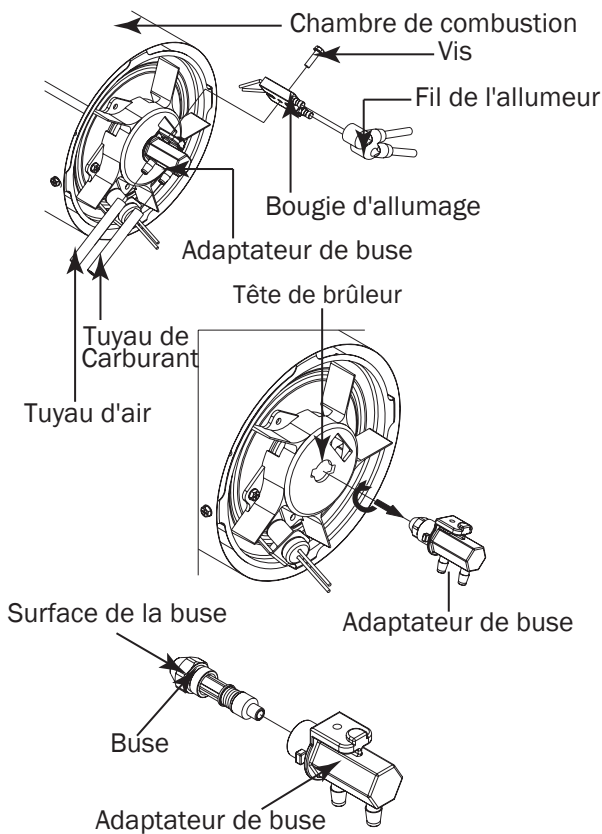


Figure 16 – Remplacement de la buse pour les modèles CP050EK-CP175FK

### NETTOYEZ LA BUSE AU BESOIN

(Pour les modèles CP050EK-CP175FK uniquement)

- Retirez la coque supérieure (voir filtre d'entrée d'air, page 12).
- Retirez l'hélice du ventilateur (voir hélices du ventilateur).
- Retirez les tuyaux de carburant et d'air de l'adaptateur de la buse.
- Retirez le câble d'allumage de la bougie d'allumage.
- Retirez le câble d'allumage de l'adaptateur de buse en utilisant un tournevis à embout étoile.
- Tournez l'adaptateur de la buse de 1/9 de tour (40°) dans le sens contraire des aiguilles d'une montre et tirez-le vers le moteur pour le retirer (voir figure 16).
- Placez le corps hexagonal en plastique dans l'étau et serrez légèrement.
- Retirez soigneusement la buse de la tête du brûleur en utilisant une clé à douille 5/8 po.
- Soufflez de l'air comprimé dans l'embout de la buse (ceci enlèvera la saleté de la buse).
- Réinstallez la buse dans l'adaptateur de la buse jusqu'à ce que la buse soit bien insérée. Serrez 1/3 de tour additionnel en utilisant une clé à douille 5/8 po (40~45 pouce-livres).
- Réinstallez l'adaptateur de buse à la tête de brûleur.
- Fixez le câble d'allumage à la bougie d'allumage.
- Fixez les tuyaux de carburant et d'air à l'adaptateur de buse.
- Réinstallez l'hélice du ventilateur et la coque supérieure.

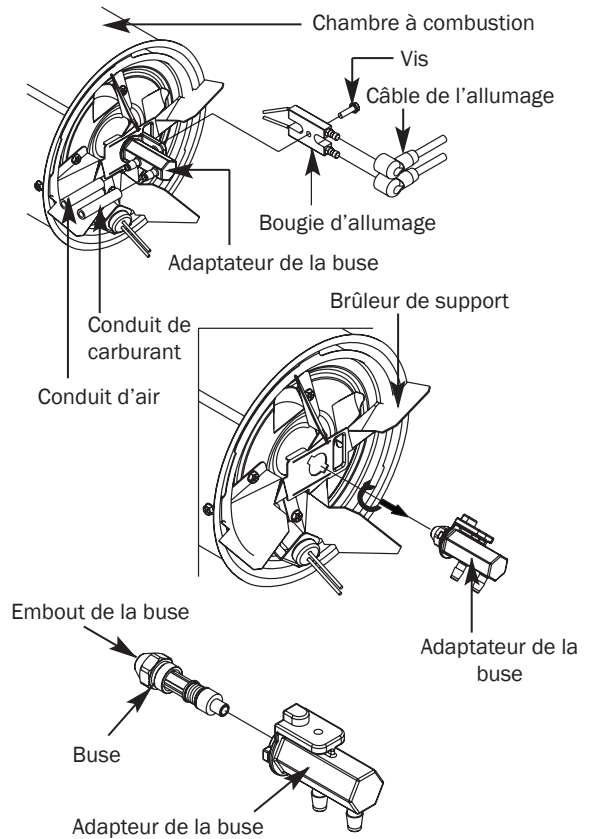


Figure 17 – Remplacement de la buse CP210FK

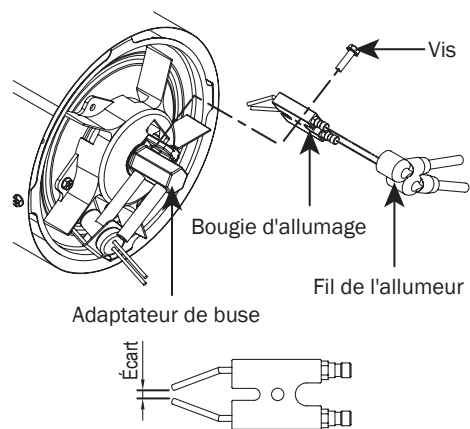
(Pour le modèle CP210FK uniquement)

- Retirez la coque supérieure (voir filtre d'entrée d'air, page 12).
- Retirez l'hélice du ventilateur (voir hélices du ventilateur, page 13).
- Retirez les tuyaux de carburant et d'air de l'adaptateur de buse.
- Retirez le câble d'allumage de la bougie d'allumage.
- Retirez la bougie d'allumage de l'adaptateur de la buse en utilisant un tournevis à embout étoile.
- Tournez l'adaptateur de buse de 1/8 de tour (45°) dans le sens contraire des aiguilles d'une montre et tirez-le vers le moteur pour le retirer (voir figure 17).
- Placez le corps hexagonal en plastique dans l'étau et serrez légèrement.
- Réinstallez la bougie d'allumage à l'adaptateur de la buse.
- Fixez le câble d'allumage à la bougie d'allumage.
- Fixez les tuyaux de carburant et d'air à l'adaptateur de buse.
- Réinstallez l'hélice du ventilateur et la coque supérieure.

## ENTRETIEN (suite)

### BOUGIE D'ALLUMAGE

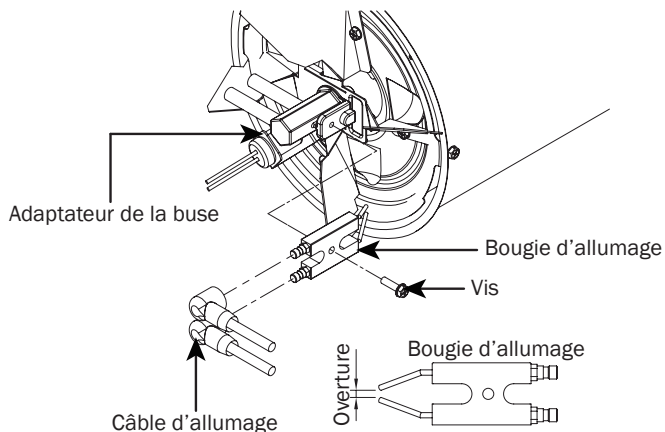
NETTOYEZ ET RAJUSTEZ L'OUVERTURE TOUTES LES 600 HEURES D'UTILISATION OU REMPLACEZ AU BESOIN.



**Figure 18 - Remplacement de la bougie d'allumage**

(Pour les modèles CP050EK-CP175FK)

- Retirez la coque supérieure (voir filtre d'entrée d'air, page 12).
- Retirez le ventilateur (voir hélices du ventilateur, page 13).
- Retirez le câble d'allumage de la bougie d'allumage.
- Retirez la bougie d'allumage de l'adaptateur de la buse en utilisant un tournevis à embout étoile.
- Nettoyez et réajustez les électrodes de la bougie d'allumage à une ouverture de 3,5 mm.
- Réinstallez la bougie d'allumage à l'adaptateur de la buse.
- Fixez le câble d'allumage à la bougie d'allumage.
- Réinstallez le ventilateur et la coque supérieure.

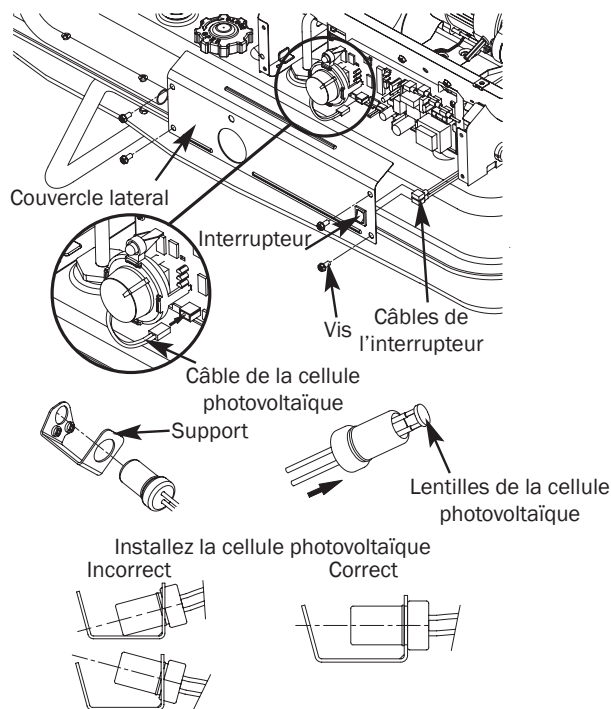


**Figure 19 - Remplacement de la bougie d'allumage**

(Pour le modèle CP210FK uniquement)

- Retirez la coque supérieure (voir filtre d'entrée d'air, page 12).
- Retirez le ventilateur (voir hélices du ventilateur, page 13).
- Retirez le câble d'allumage de la bougie d'allumage.
- Retirez la bougie d'allumage de l'adaptateur de la buse en utilisant un tournevis à embout étoile.
- Nettoyez et réajustez les électrodes de la bougie d'allumage à une ouverture de 3,5 mm.
- Réinstallez la bougie d'allumage à l'adaptateur de la buse.

### CELLULE PHOTOVOLTAÏQUE



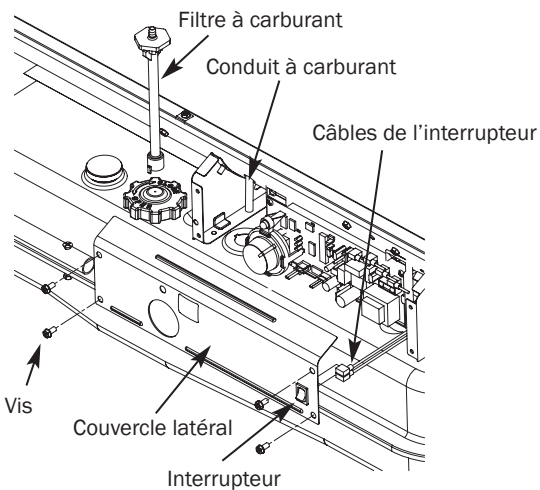
**Figure 20 - Remplacement de la cellule photovoltaïque**

NETTOYER LA CELLULE PHOTOVOLTAÏQUE ANNUELLEMENT OU AU BESOIN

- Retirez la coque supérieure (voir filtre d'entrée d'air, page 12)
- Retirez le ventilateur (voir hélices du ventilateur, page 13)
- Retirez la cellule photovoltaïque de son support de montage.
- Nettoyez les lentilles de la cellule photovoltaïque avec un tampon de coton.
- POUR REMPLACER : retirez le couvercle latéral près de l'interrupteur à DEL.
- Déconnectez les câbles de l'interrupteur à DEL et retirez le couvercle latéral.
- Déconnectez les câbles de la carte de circuits imprimés et retirez la cellule photovoltaïque.
- Installez la nouvelle cellule photovoltaïque et fixez les câbles à la carte de circuits imprimés.
- Remplacez les câbles de l'interrupteur à l'interrupteur à DEL et au couvercle latéral.
- Remplacez le ventilateur et la coque supérieure.

## FILTRE À CARBURANT

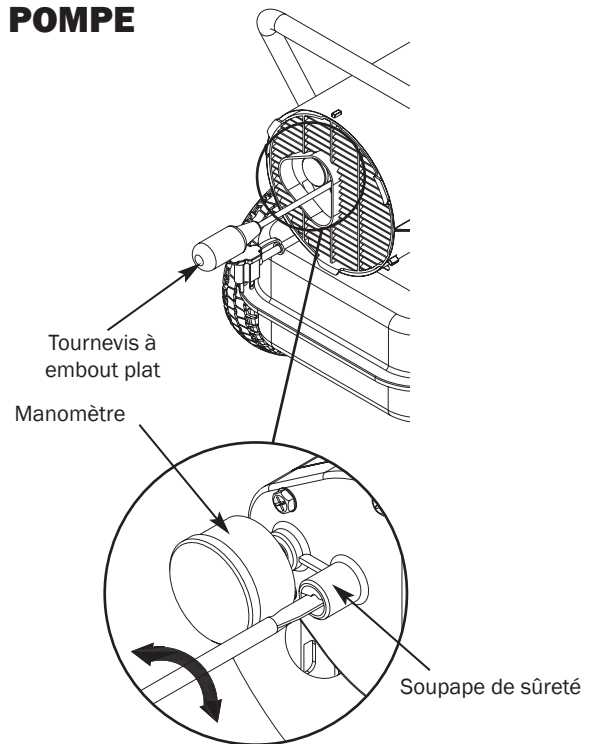
NETTOYEZ OU REMPLACEZ DEUX FOIS PAR SAISON DE CHAUFFAGE OU AU BESOIN.



**Figure 21 – Remplacement du filtre à carburant**

- Retirez les vis du couvercle latéral en utilisant un tournevis à embout étoile.
- Déconnectez les câbles de l'interrupteur de l'interrupteur et retirez le couvercle latéral.
- Retirez le conduit de carburant du col du filtre à carburant.
- Tournez le filtre à carburant de 90 degrés dans le sens des aiguilles d'une montre et tirez pour le retirer.
- Nettoyez le filtre avec du carburant propre et replacez-le dans le réservoir.
- Fixez le conduit de carburant au col du filtre à carburant.
- Réinstallez le couvercle latéral.

## AJUSTEMENT DE LA PRESSION DE LA POMPE



**Figure 22 – Ajustement de la pression de la pompe**

- Allumez l'appareil de chauffage (voir « Opération », page 9).
- Laissez le moteur atteindre la vitesse maximale.
- Ajustez la pression (en utilisant un tournevis à embout plat).
- Tournez la soupape de sûreté dans le sens des aiguilles d'une montre pour faire augmenter la pression.
- Tournez la soupape de sûreté dans le sens contraire des aiguilles d'une montre pour faire baisser la pression.
- Réglez la pression de la pompe à la pression correspondante pour chaque modèle.
- Éteignez l'appareil de chauffage (voir « Opération », page 9).

Modèle	Pression de la pompe
CP050EK	3.8 PSI
CP075EK	3.8 PSI
CP125FK	5.5 PSI
CP175FK	6.5 PSI
CP210FK	8.5 PSI

**REMARQUE : UTILISEZ UNIQUEMENT LES PIÈCES DE RECHANGE DE L'ÉQUIPEMENT ORIGINAL. L'utilisation d'autres pièces ou de composants de tiers peut annuler la garantie et créer des conditions d'utilisation dangereuses.**

## ENTRETIEN (suite)

### REPLACEMENT DU FUSIBLE

**REMARQUE:** L'appareil de chauffage est protégé par un fusible. Si votre appareil de chauffage n'arrive pas à s'allumer, NE RAMENEZ PAS VOTRE APPAREIL DE CHAUFFAGE AU MAGASIN.

Suivez simplement les instructions suivantes pour inspecter et changer votre fusible.

- Débranchez votre appareil de chauffage.
- Retirez les vis du couvercle latéral en utilisant un tournevis à embout étoile.



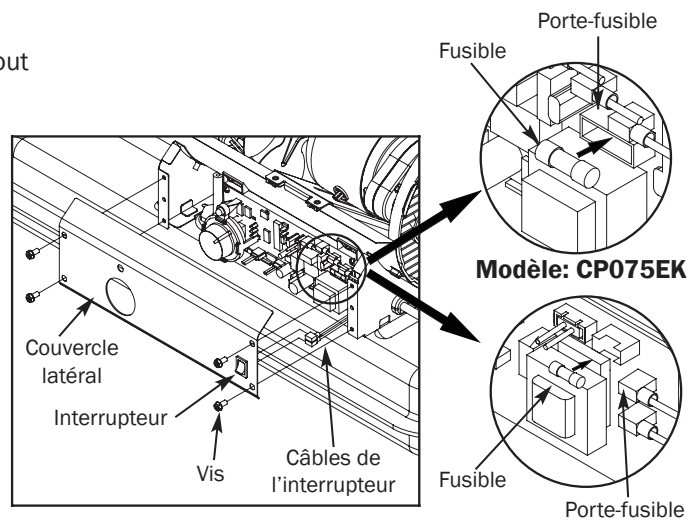
#### **AVERTISSEMENT**

**Risque de brûlure!**

- **RISQUE DE CHOC ÉLECTRIQUE. Afin de prévenir les blessures corporelles, débranchez le cordon d'alimentation avant de remplacer le fusible.**

- Retirez le fusible du porte-fusible (voir figure 23).
- Remplacez le fusible avec le fusible fourni.
- Fixez les câbles de l'interrupteur à l'interrupteur à DEL.
- Fixez le couvercle latéral.

**REMARQUE:** Calibre de fusible spécifié : AC 125/8A, numéro de pièce 572447



**Modèle: CP050EK**

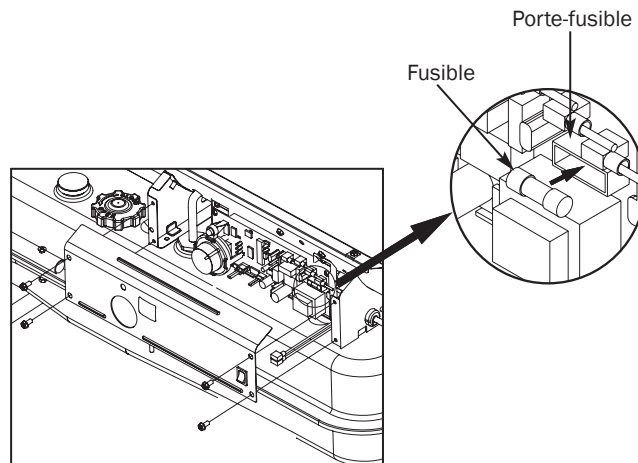


Figure 23 - Remplacement du fusible

# Diagramme de câblage

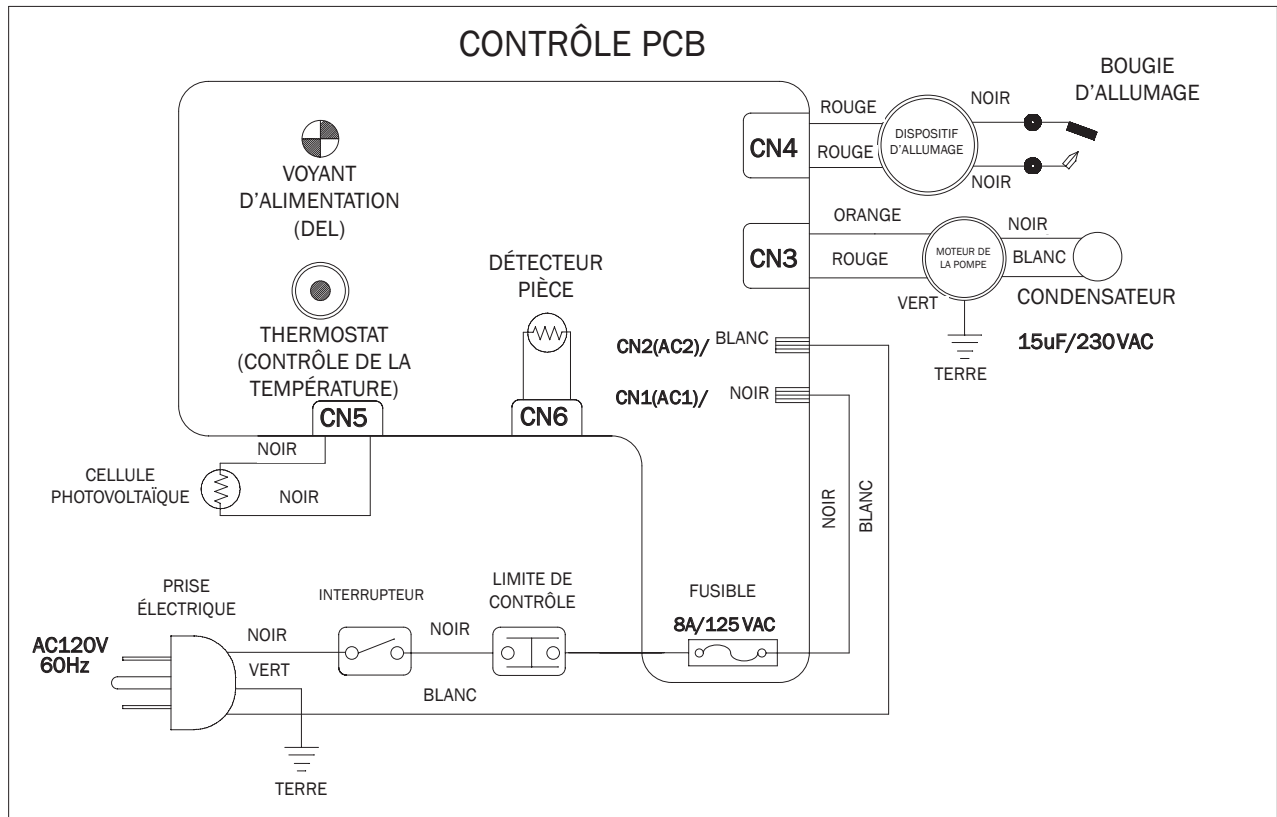


Figure 25 - Diagramme de câblage modèle CP075EK

# Diagramme de câblage

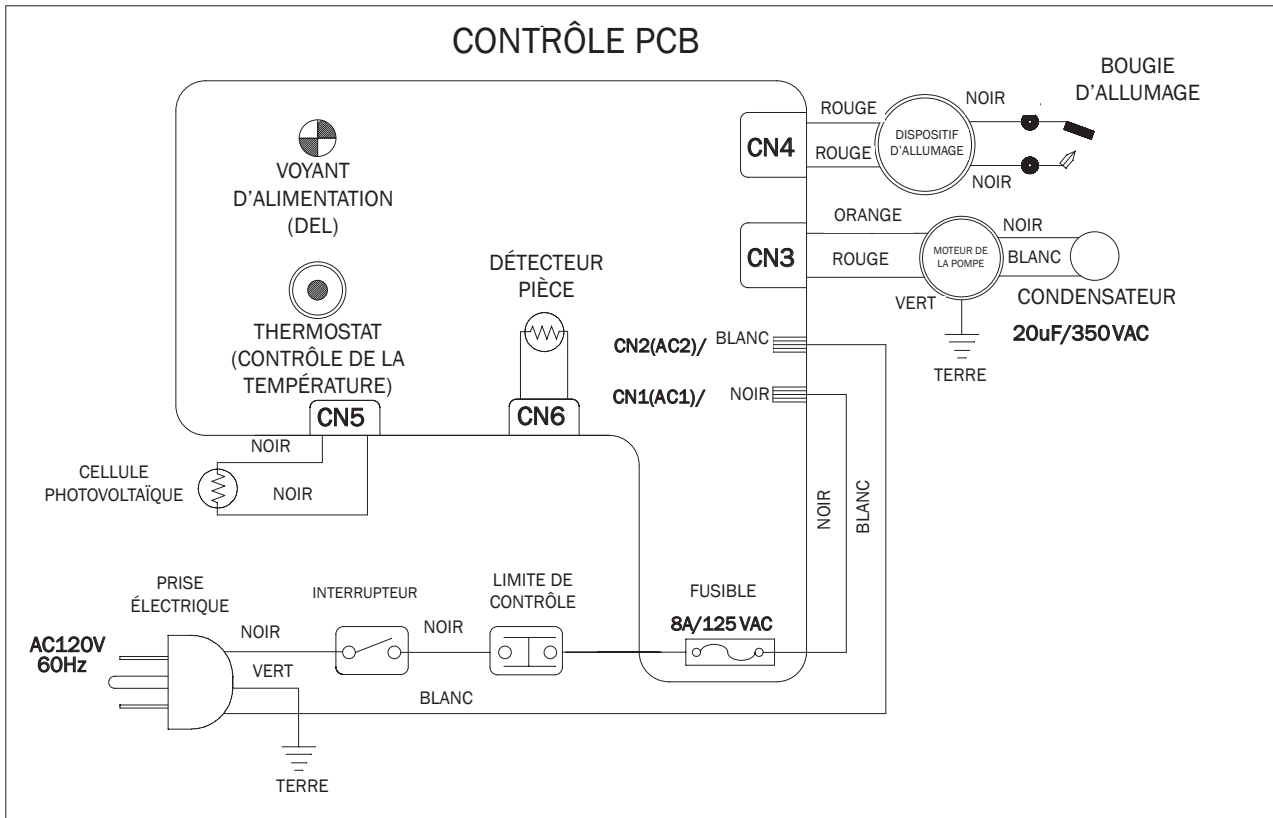


Figure 26 - Diagramme de câblage modèles CP125FK, CP175FK, CP210FK

Symptôme	Causes possibles	Solutions
L'appareil de chauffage s'allume, mais l'assemblage de la carte mère éteint l'appareil de chauffage peu de temps après. (Le voyant lumineux clignote et l'affichage de la température de la pièce indique « E1 »)	<ol style="list-style-type: none"> <li>1. Pression de la pompe incorrecte</li> <li>2. Sortie d'air, entrée d'air ou filtre à charpie souillé</li> <li>3. Filtre à carburant souillé</li> <li>4. Saleté dans la buse</li> <li>5. Lentilles de la cellule photovoltaïque souillées</li> <li>6. Assemblage de la cellule photovoltaïque non installée adéquatement (la flamme n'est pas visible)</li> <li>7. Mauvaise connexion électrique entre la cellule photovoltaïque et l'assemblage de la carte mère</li> <li>8. Cellule photovoltaïque défectueuse</li> <li>9. Fissures dans le couvercle du filtre</li> <li>10. Rotor et hélices défectueux</li> <li>11. Fentes/fissures sur le conduit d'air</li> <li>12. Air qui fuit près de la pompe</li> </ol>	<ol style="list-style-type: none"> <li>1. Voir Ajustement de la pression de la pompe, page 16</li> <li>2. Voir Sortie d'air, entrée d'air et filtre à charpie, page 13</li> <li>3. Voir Filtre à carburant, page 16</li> <li>4. Voir Buse, page 14</li> <li>5. Nettoyez les lentilles de la cellule photovoltaïque, page 15</li> <li>6. Assurez-vous que la cellule photovoltaïque est insérée correctement dans le support, page 15</li> <li>7. Vérifiez les composantes électriques, voir Diagramme de câblage, page 18</li> <li>8. Remplacez la cellule photovoltaïque, page 15</li> <li>9. Vérifiez le couvercle du filtre pour des fissures. Remplacez-le s'il est fissuré, page 13</li> <li>10. Vérifiez la condition du rotor et de l'hélice. Remplacez si ébréché ou fissuré, page 12</li> <li>11. Vérifiez le conduit d'air pour des fissures et des craques. Remplacez si ébréché ou fissuré, page 13</li> <li>12. Vérifiez pour des fuites d'air près de la pompe, page 13</li> </ol>
L'appareil de chauffage ne s'allume pas, mais le moteur fonctionne pour une courte période de temps. (Le voyant lumineux clignote et l'affichage de la température de la pièce indique « E1 »)	<ol style="list-style-type: none"> <li>1. Pas de carburant dans le réservoir</li> <li>2. Mauvaise pression de la pompe</li> <li>3. Dépôts de carbone sur la bougie d'allumage et/ou ouverture incorrecte</li> <li>4. Saleté dans le filtre de carburant</li> <li>5. Saleté dans la buse</li> <li>6. Eau dans le réservoir de carburant</li> <li>7. Mauvaise connexion électrique entre le dispositif d'allumage et l'assemblage de la carte mère</li> <li>8. Le câble d'allumage n'est pas fixé à la bougie d'allumage</li> </ol>	<ol style="list-style-type: none"> <li>1. Remplissez le réservoir de kérosène</li> <li>2. Voir Ajustement de la pression de la pompe, page 16</li> <li>3. Voir Bougie d'allumage, page 15</li> <li>4. Voir Filtre du carburant, page 16</li> <li>5. Voir Buse, page 14</li> <li>6. Nettoyez le réservoir de carburant avec du kérosène propre, page 12</li> <li>7. Vérifiez les composantes électriques. Voir Diagramme de câblage, page 18</li> <li>8. Fixez le dispositif d'allumage à la bougie d'allumage. Voir Bougie d'allumage, page 15</li> </ol>
Le ventilateur ne tourne pas lorsque l'appareil de chauffage est branché et que l'interrupteur d'alimentation est à la position « ON ». (Le voyant lumineux est allumé ou il clignote)	<ol style="list-style-type: none"> <li>1. Le thermostat est réglé à « bas »</li> <li>2. Une mauvaise connexion électrique entre le moteur et la carte mère</li> <li>3. Rotor coincé</li> </ol>	<ol style="list-style-type: none"> <li>1. Tournez le bouton du thermostat à une température plus élevée</li> <li>2. Vérifiez les connexions électriques. Voir Diagramme de câblage, page 18</li> <li>3. Retirez le couvercle de la pompe et remplacez le rotor, etc.</li> </ol>
Le voyant lumineux clignote et l'affichage de la température de la pièce indique (« E2 ») Le voyant lumineux clignote et l'affichage de la température de la pièce indique (« E3 »)	<ol style="list-style-type: none"> <li>1. Échec du détecteur de la pièce</li> </ol>	<ol style="list-style-type: none"> <li>1. Remplacez le détecteur de la pièce, voir Diagramme de câblage, page 18.</li> </ol>
L'appareil de chauffage ne s'allume pas. (Le voyant lumineux est éteint)	<ol style="list-style-type: none"> <li>1. Problème avec l'interrupteur du thermostat</li> <li>2. Le dispositif de la limite sécuritaire de température surchauffe</li> <li>3. Pas de courant électrique</li> <li>4. Fusible brûlé</li> <li>5. Mauvaise connexion entre le dispositif de la limite sécuritaire de la température et la carte mère</li> </ol>	<ol style="list-style-type: none"> <li>1. Remplacez la carte mère</li> <li>2. Poussez l'interrupteur d'alimentation à « OFF » et laissez refroidir (environ 10 min.)</li> <li>3. Vérifiez que le câble de l'appareil de chauffage et l'extension sont branchés correctement dans la source d'alimentation</li> <li>4. Remplacez le fusible de sûreté dans la carte mère. Voir Remplacer le fusible, page 17</li> <li>5. Vérifiez les connexions électriques. Voir Diagramme de câblage, page 18</li> </ol>

## Identification des pièces

### SCHÉMA DES PIÈCES (CP075EK)

Pour des pièces de rechange,  
composez le **1-800-345-7200**

Fournir les informations suivantes :

-Numéro du modèle

-Numéro de série (le cas échéant)

-Description de la pièce et numéro tel qu'indiqué  
dans

la liste des pièces

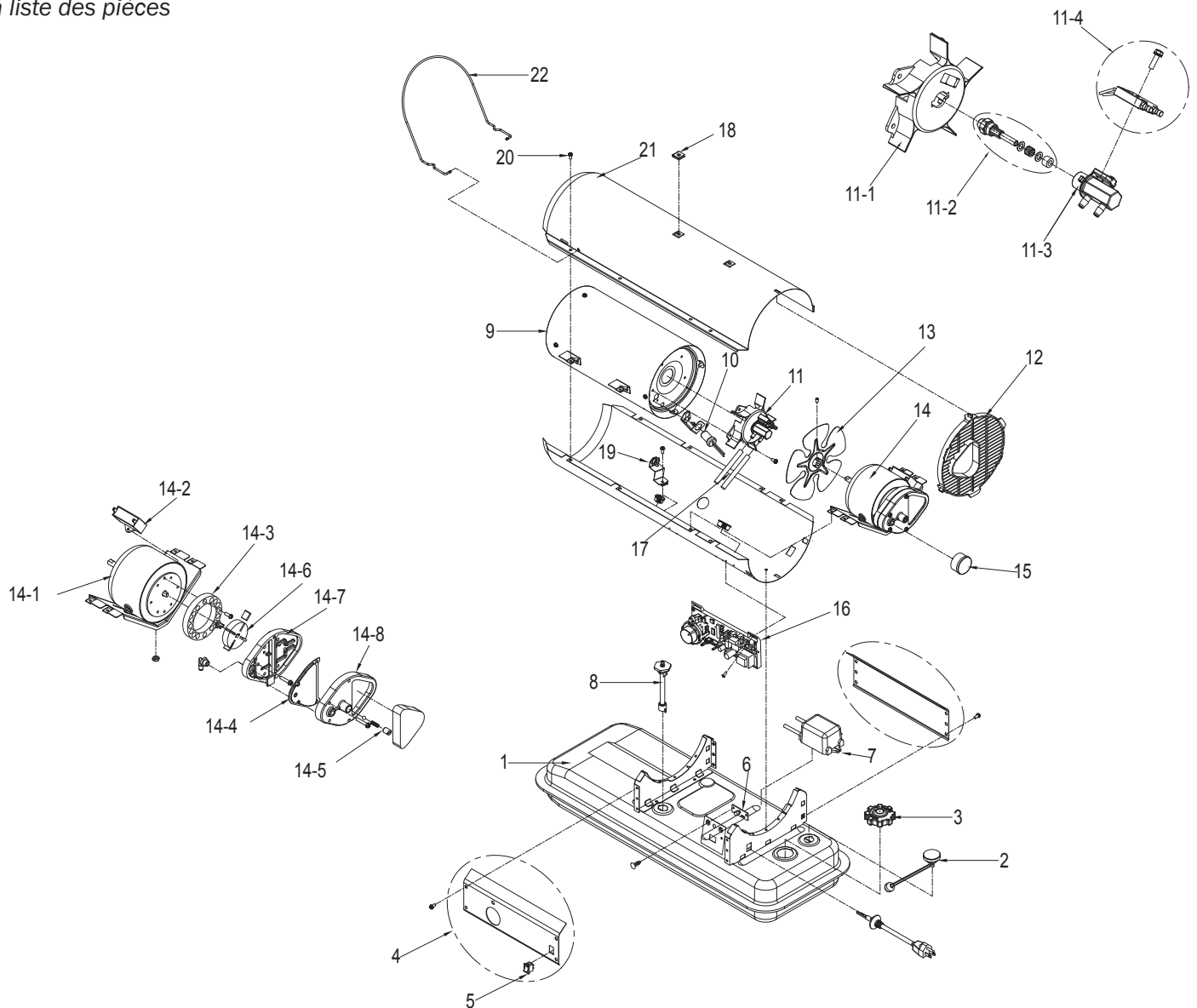


Illustration des pièces de rechange pour les appareils portables de chauffage à l'huile, modèle CP075EK



## Liste des pièces (CP075EK)

No. de référence	Description	Numéro de pièce pour les modèles :	
		CP075EK	
1	Assemblage du réservoir de carburant	573493	
2	Jauge de carburant	572454	
3	Bouchon du réservoir de carburant	573414	
4	Assemblage du panneau droit	573494	
5	Interrupteur d'alimentation	572251	
6	Bouchon de vidange		
7	Transformateur d'allumage	573399	
8	Filtre à carburant	572154	
9	Chambre à combustion	573630	
10	Assemblage de la cellule photovoltaïque	572186	
11	Assemblage de la tête	572903	
11-1	Tete de Bruleur	572692	
11-2	Assemblage de la buse	572193	
11-3	Adaptateur de la buse	572652	
11-4	Assemblage de la bougie d'allumage	572200	
12	Grille du ventilateur	573497	
13	Assemblage du ventilateur	572233	
14	Assemblage du moteur et de la pompe	573498	
14-1	Moteur	572694	
14-2	Condensateur	572650	
14-3	Corps de la pompe	572223	
14-4	Ensemble de filtre*	572227	
14-5	Ensemble d'ajustement de la pompe***	572230	
14-6	Ensemble du rotor**	572225	
14-7	Couvercle de la pompe	572696	
14-8	Couvercle du filtre	572229	
15	Manomètre	572231	
16	Assemblage de la carte mère	573403	
17	Conduit d'air/de carburant	572691	
18	Écrou de collier (Paquet de 2)	573499	
19	Assemblage de la limite de température	572726	
20	Vis (paquet de 12)	572282	
21	Coque supérieure	573500	
22	Grille avant	572270	
	Fusible	572447	
	Ensemble de matériel	572324	
	Vis de couvercle de pompe/filtre (paquet de 10)	572283	
	Ensemble de filtre*-Inclut des filtres d'entrée d'air, de sortie d'air et à charpie		
	Ensemble de rotor**-Inclut le rotor, les hélices et la pièce insérée		
	Ensemble d'ajustement de la pompe***-Inclut une bille à ressort et une vis d'ajustement		

## Identification des pièces

### SCHÉMA DES PIÈCES (CP125FK & CP175FK)

## Pour des pièces de rechange, composez le 1-800-345-7200

Fournir les informations suivantes :

- Numéro de modèle
- Numéro de série (le cas échéant)
- Description de la pièce et numéro tel qu'indiqué dans la liste des pièces

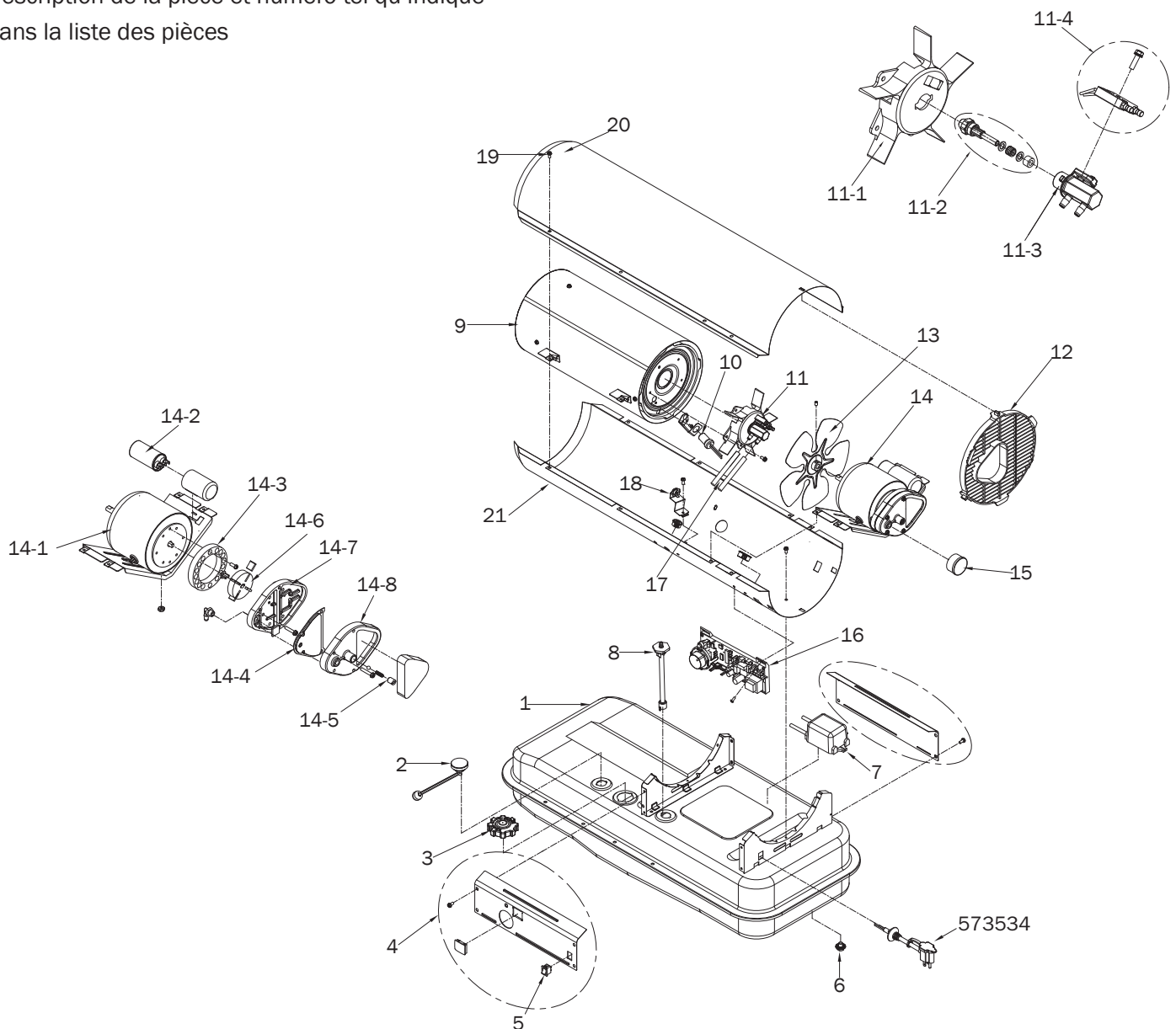


Figure28—Illustration des pièces de rechange pour les appareils portables de chauffage à l'huile modèles CP125EK, CP175EK

## LISTE DES PIÈCES (CP125FK & CP175FK)

No. de référence	Description	Numéro de pièce pour les modèles :	
		CP125FK	CP175FK
1	Assemblage du réservoir de carburant	573501	573508
2	Jauge de carburant	572455	572456
3	Bouchon du réservoir de carburant	--573414--	
4	Assemblage du panneau droit	573502	573509
5	Interrupteur d'alimentation	--572251--	
6	Bouchon de vidange	--572450--	
7	Transformateur d'allumage	--573399--	
8	Filtre à carburant	--572155--	
9	Chambre à combustion	573631	573632
10	Assemblage de la cellule photovoltaïque	--572186--	
11	Assemblage de la tête de brûleur	572897	572898
11-1	Tete de Bruleur	572705	572711
11-2	Assemblage de la buse	572194	572195
11-3	Adaptateur de la buse	--572662--	
11-4	Assemblage de la bougie d'allumage	--572202--	
12	Grille du ventilateur	--573505--	
13	Assemblage du ventilateur	572234	572235
14	Assemblage du moteur et de la pompe	573506	573511
14-1	Moteur	572709	572716
14-2	Condensateur	--572655--	
14-3	Corps de la pompe	--572223--	
14-4	Ensemble de filtre*	--572227--	
14-5	Ensemble d'ajustement de la pompe***	--572230--	
14-6	Ensemble du rotor**	--572225--	
14-7	Couvercle de la pompe	--572696--	
14-8	Couvercle du filtre	--572229--	
15	Manomètre	--572231--	
16	Assemblage de la carte mère	--573402--	
17	Conduit d'air/de carburant	572704	572712
18	Assemblage de la limite de la température	572727	572933
19	Vis (paquet de 12)	--572282--	
20	Coque supérieure	573507	573512
21	Coque inférieure	573783	573784
	Fusible	--572447--	
	Ensemble de matériel	--572928--	
	Vis de couvercle de pompe/filtre (paquet de 10)	--572283--	
	Ensemble de filtre*-Inclut des filtres d'entrée d'air, de sortie d'air et à charpie		
	Ensemble du rotor**-Inclut le rotor, les hélices, et la pièce insérée		
	Ensemble d'ajustement de la pompe***-Inclut une bille à ressort et une vis d'ajustement		

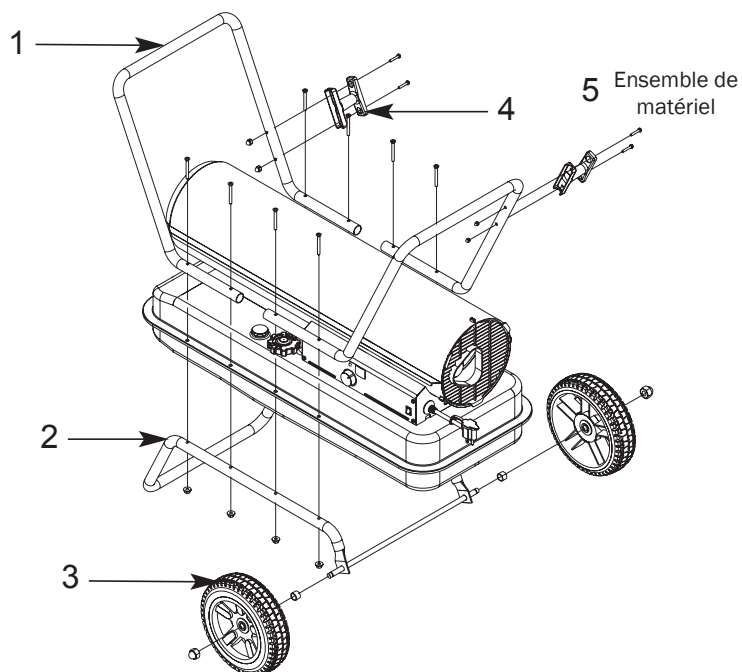


## LISTE DES PIÈCES (CP210FK)

No. de référence	Description	Numéro de pièce pour les modèles : CP210FK
1	Assemblage du réservoir de carburant	573513
2	Jauge de carburant	572457
3	Bouchon du réservoir de carburant	573414
4	Assemblage du panneau droit	573526
5	Interrupteur d'alimentation	572251
6	Bouchon de vidange	572450
7	Transformateur d'allumage	573399
8	Assemblage du filtre à carburant	572155
9	Chambre à combustion	573514
10	Assemblage de la cellule photovoltaïque	572186
11	Assemblage de la limite de la température	572725
12	Assemblage du brûleur	
12-1	Assemblage de la buse	572196
12-2	Brûleur de support	572719
12-3	Adaptateur de la buse	572662
12-4	Assemblage de la bougie d'allumage	572202
13	Assemblage du ventilateur	572235
14	Assemblage du moteur et de la pompe	573515
14-1	Moteur	572723
14-2	Condensateur	572655
14-3	Corps de la pompe	572224
14-4	Ensemble du rotor**	572226
14-5	Couvercle de la pompe	572696
14-6	Ensemble de filtre*	572227
14-7	Couvercle du filtre	572229
14-8	Ensemble d'ajustement de la pompe***	572230
15	Manomètre	572231
16	Grille du ventilateur	573505
17	Vis (paquet de 12)	572282
18	Assemblage de la carte mère	573402
19	Conduits d'air/ de carburant	572718
20	Coque supérieure	573517
21	Coque inférieure	573785
	Ensemble de matériel	572928
	Fusible	572447
	Vis de couvercle de pompe/filtre (paquet de 10)	572283
	Ensemble de filtre*-Inclut des filtres d'entrée d'air, de sortie d'air et à charpie	
	Ensemble du rotor**-Inclut le rotor, les hélices et la pièce insérée	
	Ensemble d'ajustement de la pompe***-Inclut une bille à ressort et une vis d'ajustement	

## Identification des pièces

### SCHÉMA DES PIÈCES (POIGNÉES/ROUES)



**Pour des pièces de rechange,  
composez le 1-800-345-7200**

Fournir les informations suivantes :

- Numéro de modèle
- Numéro de série (le cas échéant)
- Description des pièces et numéro tel qu'indiqué dans la liste des pièces

Figure 30- Illustration des pièces de rechange pour les modèles CP125FK, CP175FK, CP210FK

#### Liste des pièces de remplacement pour les modèles CP125FK, CP175FK, CP210FK

No. de référence	Description	No. de pièce pour les modèles :	
		CP125FK	CP175FK & CP210FK
1	Ensemble de la poignée supérieure	572927	572926
2	Ensemble du support de la roue/essieu	572273	572277
3	Ensemble des roues		573416
4	Ensemble de l'enrouleur de corde		572275
5	Ensemble de matériel		572928

---

# INFORMATIONS SUR LA GARANTIE

## ÉQUIPEMENT

---

L.B. White Co., Inc. garantit que les pièces composantes de son appareil de chauffage sont exemptes de défauts de matériel et de fabrication, lorsqu'elles sont installées et utilisées correctement, et entretenues selon les guides et les étiquettes de sécurité de chaque unité du guide de l'utilisateur. Si, dans un délai de 24 mois à partir de la date d'achat par l'utilisateur, il est constaté que des pièces sont défectueuses, L.B. White Co., Inc. réparera ou remplacera, à sa discrétion, la pièce de l'appareil de chauffage ou

l'appareil de chauffage, avec une nouvelle pièce ou un appareil de chauffage, F.O.B., Onalaska, Wisconsin, États-Unis.

Enregistrez votre appareil en ligne avec L.B. White qualifiera automatiquement votre appareil et ses pièces pour une considération de garantie. Si l'appareil n'a pas été enregistré avec L.B. White, une copie de l'acte de vente sera requise pour établir une qualification de garantie. Si ni l'un ni l'autre n'est disponible, la garantie sera de 24 mois à partir de la date d'expédition par L.B. White.

## PIÈCES

---

L.B. White Co., Inc. garantit que les pièces de rechange achetées à l'entreprise et utilisées sur l'appareil de chauffage L.B. White sont libres de défauts de matériel et de fabrication pour une durée de 24 mois à partir de la date d'achat par l'utilisateur. La garantie est automatique s'il est constaté qu'une pièce est défectueuse dans un délai de 24 mois suivant la date codée inscrite sur la pièce. Si le défaut apparaît plus de 24 mois suivant la date codée, mais moins de 24 mois suivant la date d'achat par l'utilisateur, une copie de l'acte de vente sera requise pour établir une qualification de garantie.

ci-dessus. Les solutions précédemment énoncées sont les seules solutions disponibles. L.B. White n'est pas tenu responsable de tout incident ou dommage conséquent directement ou indirectement lié à la vente, la manipulation ou l'utilisation de l'appareil de chauffage, et dans tout événement, la responsabilité de L.B. White en lien avec l'appareil de chauffage, incluant les revendications basées sur la négligence ou la responsabilité stricte, est limitée au prix d'achat.

La garantie définie ci-dessus est une garantie exclusive de L.B. White, et toutes les autres garanties, incluant toutes garanties sous-entendues, la valeur commerciale ou le conditionnement pour un usage particulier, sont formellement exclues. Dans l'éventualité où une garantie sous-entendue n'est pas formellement exclue par la présente en raison de l'effet de la loi, une telle garantie sous-entendue est limitée en temps à la durée de la garantie indiquée

Certains états ne permettent pas d'établir de limitations sur la durée d'une garantie sous-entendue, donc les limitations précédentes peuvent ne pas s'appliquer à vous. Certains états ne permettent pas l'exclusion ou la limitation des incidents et des dommages conséquents, donc les limitations précédentes peuvent ne pas s'appliquer à vous. Cette garantie vous donne des droits légaux spécifiques, et il peut également y avoir d'autres droits qui varient d'un état à l'autre

**Pour enregistrer votre appareil et vous assurer d'avoir une garantie complète, visitez le <http://www.lbwhite.com/product-registration>. Ayez en main le numéro de série et le numéro de modèle de l'appareil que vous souhaitez enregistrer.**

---

## Remplacement des pièces et service

Contactez votre distributeur L.B. White local pour des pièces de rechange et du service. Vous pouvez aussi appeler L.B. White Co., Inc. au (800)345-7200 pour le service d'assistance ou envoyer un courriel à [customerservice@lbwhite.com](mailto:customerservice@lbwhite.com).

Assurez-vous d'avoir le numéro de modèle de l'appareil de chauffage et le numéro de configuration lorsque vous appelez.

