



Sentry

Single or Two Stage
Radiant Tube Heaters

ST060*	60,000 Btuh
ST080*	80,000 Btuh
ST100	100,000 Btuh
ST125	125,000 Btuh

Propane Vapor Withdrawal or Natural Gas
*Single Stage only

View this manual online at www.lbwhite.com

Attention

The Sentry heater has been designed, tested, and evaluated by the L.B. White Company as a direct gas fired radiant tube heater. The heater is designed specifically for the intended use of heating animal confinement buildings only.

CHECK WITH YOUR LOCAL FIRE SAFETY AUTHORITY, YOUR LOCAL FUEL GAS SUPPLIER, OR THE L.B. WHITE COMPANY IF YOU HAVE QUESTIONS REGARDING APPLICATIONS.

www.lbwhite.com



Congratulations!

You have purchased the finest agricultural building heater available. Your new L.B. White heater incorporates the benefits from the most experienced manufacturer of heating products using state-of-the-art technology.

We, at L.B. White, thank you for your confidence in our products and welcome any suggestions or comments you may have...contact us at 1-(800)-345-7200, or email us at customerservice@lbwhite.com.

NOTICE

The herein installation instructions are the L.B. White Co. LLC suggested recommendations and guidelines for temporary or permanent installation of the L.B. White Co. LLC heaters. Local, state, and electrical and safety code requirements supersede these guidelines. In the absence of local codes, see page 7 for installation in the U.S. or Canada.

SEE ASSEMBLY
INSTRUCTIONS
INSIDE

Please refer to important elevation information on inside cover.



SCAN THIS
with your smartphone or
visit <http://goo.gl/yyKxJo>
to view maintenance videos
for L.B. White heaters.

* Requires an app like QR Droid for Android or for iPhone

TABLE OF CONTENTS

Heater Specifications.....	4
General Information.....	5
Safe Clearance From Combustibles.....	5
Safety Precautions.....	6
Inlet Air Requirements.....	9
General Installation Instructions.....	10
Start-Up Instructions.....	17
Shut-Down Instructions.....	17
Cleaning Instructions.....	18
Maintenance Instructions.....	19
General Service Instructions.....	19
Troubleshooting Guide.....	25
Electrical Connection and Ladder Diagram.....	29
Parts Identification.....	30
Warranty Policy.....	35

WARNING

Standard products are manufactured to operate at optimum efficiency at elevations between 0 and 2000 ft. above sea level.

If operated at higher elevations the product will not function correctly and may function in an unsafe nature. Products providing proper operation for alternate elevations may be available.

If you require a high elevation product, did not specify when ordering, and/or the box this unit came in does not have an alternate altitude designation sticker please contact technical support.

GENERAL HAZARD WARNING

- FAILURE TO COMPLY WITH THE PRECAUTIONS AND INSTRUCTIONS PROVIDED WITH THIS HEATER CAN RESULT IN:
 - DEATH
 - SERIOUS BODILY INJURY OR BURNS
 - PROPERTY DAMAGE OR LOSS FROM FIRE OR EXPLOSION
 - ASPHYXIATION DUE TO LACK OF ADEQUATE AIR SUPPLY OR CARBON MONOXIDE POISONING
 - ELECTRICAL SHOCK
- READ THIS OWNER'S MANUAL BEFORE INSTALLING OR USING THIS PRODUCT.
- ONLY PERSONS WHO CAN READ, UNDERSTAND, AND FOLLOW THE INSTRUCTIONS SHOULD USE OR SERVICE THIS HEATER.
- SAVE THIS OWNER'S MANUAL FOR FUTURE USE AND REFERENCE.
- OWNER'S MANUALS AND REPLACEMENT LABELS ARE AVAILABLE AT NO CHARGE. SEE WEBSITE, OR FOR ASSISTANCE, CONTACT L.B. WHITE AT 1-800-345-7200.

WARNING

- PROPER GAS SUPPLY PRESSURE MUST BE PROVIDED TO THE INLET OF THE HEATER.
- REFER TO DATA PLATE FOR PROPER GAS SUPPLY PRESSURE.
- GAS PRESSURE IN EXCESS OF THE MAXIMUM INLET PRESSURE SPECIFIED AT THE HEATER INLET CAN CAUSE FIRES OR EXPLOSIONS.
- FIRES OR EXPLOSIONS CAN LEAD TO SERIOUS INJURY, DEATH, OR BUILDING DAMAGE.
- GAS PRESSURE BELOW THE MINIMUM INLET PRESSURE SPECIFIED AT THE HEATER INLET MAY CAUSE IMPROPER COMBUSTION.
- IMPROPER COMBUSTION CAN LEAD TO ASPHYXIATION OR CARBON MONOXIDE POISONING AND THEREFORE SERIOUS INJURY OR DEATH.

WARNING FIRE AND EXPLOSION HAZARD

- NOT FOR HOME OR RECREATIONAL VEHICLE USE.
- INSTALLATION OF THIS HEATER IN A HOME OR RECREATIONAL VEHICLE MAY RESULT IN A FIRE OR EXPLOSION.
- FIRE OR EXPLOSIONS CAN CAUSE PROPERTY DAMAGE OR LOSS OF LIFE.

WARNING FIRE, BURN, INHALATION, AND EXPLOSION HAZARD

- KEEP SOLID COMBUSTIBLES A SAFE DISTANCE AWAY FROM THE HEATER.
- SOLID COMBUSTIBLES INCLUDE WOOD, PAPER PRODUCTS, FEATHERS, STRAW AND DUST.
- DO NOT USE THE HEATER IN SPACES WHICH CONTAIN OR MAY CONTAIN VOLATILE OR AIRBORNE COMBUSTIBLES.
- VOLATILE OR AIRBORNE COMBUSTIBLES INCLUDE PIT GASES, GASOLINE, SOLVENTS, PAINT THINNER, DUST PARTICLES OR UNKNOWN CHEMICALS.
- FAILURE TO FOLLOW THESE INSTRUCTIONS MAY RESULT IN A FIRE OR EXPLOSION.
- FIRE OR EXPLOSIONS CAN LEAD TO PROPERTY DAMAGE, PERSONAL INJURY OR DEATH.

FOR YOUR SAFETY

Do not store or use gasoline or other flammable vapors and liquids in the vicinity of this or any other appliance.

FOR YOUR SAFETY

If you smell gas:

1. Open windows.
2. Don't touch electrical switches.
3. Extinguish any open flame.
4. Immediately call your gas supplier.

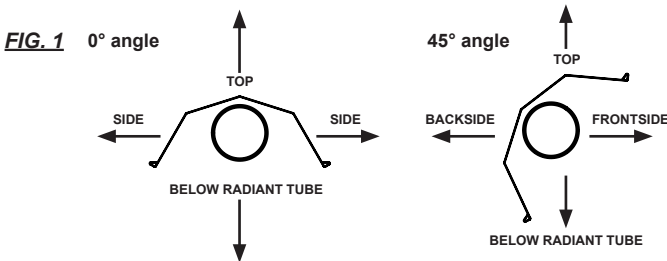
WARNING

Cancer and reproductive harm.
See www.P65Warnings.ca.gov.

Specifications

		ST060	ST080	ST100	ST125
Available Tube Lengths (ft.)		30	40	30	40
Maximum Input per Hour BTU/H		60,000	80,000	100,000	125,000
Minimum Input per Hour (Two Stage)		-	-	65,000	75,000
Fuel Consumption per Hour (Max.)	LPG (lbs.)	2.8	3.7	4.63	5.79
	NG (cu. ft.)	60	80	100	125
Gas supply pressure acceptable for the purpose of input adjustment (in W.C.)	MAX./MIN.	LPG	13.5 / 11.0		
		NG	13.5 / 7.0		
Burner manifold pressure (in W.C.) Single and two stage high heat	LPG	10.0			
	NG	4.5	4.0		
Burner manifold pressure (in W.C.) Two stage low heat	LPG	-		4.0	
	NG	-		1.6	
Ventilation air required to support combustion		140 CFM			
Motor characteristics		1/30 H.P., 3020 RPM, CW Rotation			
Electrical supply (Volts/Hz/Phase)		120 / 60 / 1			
Amp draw	Starting	1.16			
	Continuous Operation	1.02			
Minimum safe distances of heater from nearest combustible materials (ft.) See Fig. 1.	Top	0.6			
	Sides	0° angle	2.5	4	
		Front 45°	6		
		Back 45°	2.5		
	Discharge End	3			
	Below radiant tubes	6			
Temperature sensor location	See Page 16 of owner's manual				

Safe Clearance from Combustibles



www.lbwhite.com

General Information

This owner's manual includes all options and accessories commonly used on or with this heater. However, depending on the configuration purchased, some options and accessories may not be included.

When calling for technical service assistance, or for other specific information, always have the model number and serial number available.

This manual will instruct you in the operation and care of your radiant heater. Have your qualified installer review this manual with you so that you fully understand the heater and how it functions.

The gas supply line installation, and the repair, installation and servicing of the heater requires

continuing expert training and knowledge of gas heaters and should not be attempted by anyone who is not so qualified. See page 7 for definition of the necessary qualifications.

Contact your local L. B. White distributor or the L.B. White Co, LLC. for assistance, or if you have any questions about the use of the heater or its application.

The L.B. White Company, LLC has a policy of continuous product improvement. It reserves the right to change specifications and design without notice.

Safety Precautions

WARNING

Asphyxiation Hazard

- Do not use this radiant heater for heating human living quarters.
- Do not use in unventilated areas.
- The flow of combustion and ventilation air must not be obstructed.
- Proper ventilation air must be provided to support the combustion air requirements of the heater being used.
- Refer to the specification section of the Owner's Manual, heater's dataplate, or contact the LB White Company to determine combustion air ventilation requirements of the heater.
- Lack of proper ventilation air will lead to improper combustion.
- Improper combustion can lead to carbon monoxide poisoning in humans leading to serious injury or death. Symptoms of carbon monoxide poisoning can include headaches, dizziness and difficulty in breathing.
- Symptoms of improper combustion affecting livestock can be disease, lower feed conversion, or death.

Fuel Gas Odor

Propane gas and natural gas have man-made odorants added specifically for detection of fuel gas leaks. If a gas leak occurs, you should be able to smell the fuel gas .

THAT'S YOUR SIGNAL TO GO INTO IMMEDIATE ACTION!

- Do not take any action that could ignite the fuel gas. Do not operate any electrical switches. Do not pull any power supply or extension cords. Do not light matches or any other source of flame. Do not use your telephone.
- Get everyone out of the building and away from the area immediately.
- Close all propane gas tank or cylinder fuel supply valves, or the main fuel supply valve located at the meter if you use natural gas.
- Propane gas is heavier than air and may settle in low areas. When you have reason to suspect a propane leak, keep out of all low areas.
- Use your neighbor's phone and call your fuel gas-supplier and your fire department. Do not re-enter the building or area.
- Stay out of the building and away from the area until declared safe by the firefighters and your fuel gas supplier.
- FINALLY, let the fuel gas service person and the firefighters check for escaped gas. Have them air out the building and area before you return. Properly trained service people must repair the leak, check for further leakages, and then relight the appliance for you.

Odor Fading - No Odor Detected

- Some people cannot smell well. Some people cannot smell the odor of the man-made chemical added to propane or natural gas. You must determine if you can smell the odorant in these fuel gases.
- Learn to recognize the odor of propane gas and natural gas. Local propane gas dealers and your local natural gas supplier (utility) will be more than happy to give you a "scratch and sniff" pamphlet. Use it to become familiar with the fuel gas odor.
- Smoking can decrease your ability to smell. Being around an odor for a period of time can affect your sensitivity to that particular odor. Odors present in animal confinement buildings can mask fuel gas odor.
- The odorant in propane gas and natural gas is colorless and the intensity of its odor can fade under some circumstances.
- If there is an underground leak, the movement of gas through the soil can filter the odorant.
- Propane gas odor may differ in intensity at different levels. Since propane gas is heavier than air, there may be more odor at lower levels.
- Always be sensitive to the slightest gas odor. If you continue to detect any gas odor, no matter how small, treat it as a serious leak. Immediately go into action as discussed previously.

Attention - Critical Points to Remember!

- Propane gas and natural gas have a distinctive odor. Learn to recognize these odors. (Reference “Fuel Gas Odor” and “Odor Fading” sections above.
 - If you have not been properly trained in repair and service of propane gas and natural gas fueled heaters, then do not attempt to light the heater, perform service or repairs, or make any adjustments to the heater on a propane (LP) gas or natural gas fuel system.
 - Even if you are not properly trained in the service and repair of radiant heaters, ALWAYS be consciously aware of the odors of propane gas and natural gas.
 - A periodic “sniff test” around the heater or at the heater’s joints; i.e. hose, connections, etc., is a good safety practice under any conditions. If you smell even a small amount of gas, CONTACT YOUR FUEL GAS SUPPLIER IMMEDIATELY. DO NOT WAIT!
1. Do not attempt to install, repair or service this heater or the gas supply line unless you have continuing expert training and knowledge of gas heaters.
- QUALIFICATIONS FOR SERVICING AND INSTALLATION:**
- a. To be a qualified gas heater service person, you must have been trained in gas-fired heater servicing, repair and also have sufficient experience to allow you to troubleshoot, replace defective parts, and test heaters in order to get them into a continuing safe and normal operation condition. You must completely familiarize yourself with each model heater by reading and complying with the safety instructions, labels, owner’s manual, etc. that is provided with each heater.
 - b. To be a qualified gas installation person, you must have sufficient training and experience to handle all aspects of installing, repairing and altering gas lines, including selecting and installing the proper equipment, and selecting proper pipe size to be used. This must be done in accordance with all local, state and national codes as well as the manufacturer’s requirements.
2. All installations and applications of L.B. White heaters must meet all relevant local, state and national codes. Included are L.P. gas, electrical, and safety codes. Your local fuel gas supplier, a local licensed electrician, the local fire department or similar government agencies, or your insurance agent can help you determine code requirements.
 - ANSI/NFPA 58, latest edition, Standard for Storage and Handling of Liquefied Petroleum Gas and/or
 - ANSI Z223.1/NFPA 54, National Fuel Gas Code
 - ANSI/NFPA 70, National Electrical Code.
 3. For indoor installation only in agricultural confinement buildings. Not for use in residential dwellings.
 4. Do not move, handle, or service heater while in operation or connected to a power or fuel supply.
 5. This heater may be installed in areas subject to washdown. This heater may only be washed on the external components. See Cleaning Instructions. Do not wash the interior of the burner box or the tubes. Use only compressed air, soft brush or dry cloth to clean the interior of the heater and it’s components. After external washdown, do not operate this heater until it is completely dry. In any event, do not operate the heater for at least one hour after external washdown.
 6. For safety, this heater is equipped with an differential air pressure switch. Never operate this heater if this safety device has been bypassed. Do not operate this heater unless this feature is fully functioning.
 7. The heater is designed to operate only with its burner access door closed and latched. Do not operate the heater with its burner box access door open.
 8. Do not block air intakes or discharge outlets of the heater. Doing so may cause improper combustion or damage to heater components leading to property damage or animal loss.

9. The hose assembly shall be visually inspected on an annual basis. If it is evident there is excessive abrasion or wear, or if the hose is cut, it must be replaced prior to the heater being put into operation. The hose assembly shall be protected from animals, and contact with hot surfaces during use. The replacement hose assembly shall be that specified by the manufacturer. See parts list.
10. Check for gas leaks and proper function upon heater installation and before building repopulation.
11. This heater should be inspected for proper operation by a qualified service person at least annually.
12. Always turn off the gas supply to the heater when not in use.
13. This heater is equipped with a three-prong (grounding) plug for your protection against shock hazard and must be plugged directly into a properly grounded three-prong receptacle. Failure to use a properly grounded receptacle can result in electrical shock, personal injury, or death.
14. Direct ignition heaters will make up to three trials for ignition. If ignition is not achieved, the control system will lock out the gas control valve. If gas is smelled after system lock out has occurred, immediately close all fuel supply valves. Do not relight until you are sure that all gas that may have accumulated has cleared away. In any event, do not relight for at least 5 minutes.
15. Use only approved gas hose or approved flexible connectors which are rated for use with propane or natural gas.

Inlet Air Requirements

WARNING Combustion Hazard

- Provide a properly located and sized fresh air inlet for the heater.
 - Refer to Inlet Air Requirements instructions.
- Failure to provide a fresh air inlet can lead to:
 - Sooting causing building damage
 - High carbon monoxide levels, causing serious injury or death to livestock and humans.
 - Overheating of the first 10 ft. tube, causing fires leading to building damage and injury to livestock and humans.
 - Higher temperature differences over the length of the tubes, causing problems in temperature control and bird performance

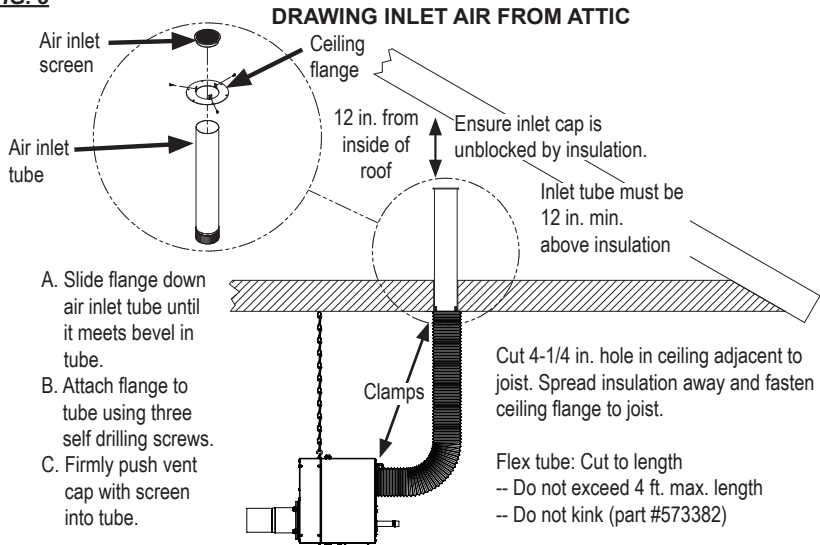
This heater requires clean, fresh air from a normal, atmospheric pressure environment for proper operation and combustion. Contact L.B.White Company if you have any questions regarding the installation of this heater.

Inlet air may be drawn from the attic. See Fig. 3.

- All inlet air seams and joints must be sealed
- Do not use any filters on the air inlet system
- **The air inlet system must be kept as straight as possible.**
- Contact L.B.White Co. if you have any questions regarding the installation of the heater.

Inlet air for combustion **MUST NOT** be drawn from:

- Inside the confinement room.
- An attic or location where negative pressure (vacuum) affects the air draw of the heater's fan. Examples include, but are not limited to:
 - a. Houses with attic soffit vent area smaller than ridge cap vent area
 - b. Heater air inlet located within 20 ft. of building ventilation fans
 - c. Locations where wind and/or the elements can create a negative pressure.

FIG. 3

General Installation Instructions

- Read all safety precautions and follow L.B. White recommendations when installing this heater. If during the installation of the heater, you suspect that a part is damaged or defective, call a qualified service agency for repair or replacement.
- A qualified service agency must check the heater upon installation and periodically. This shall consist of the following:
 - Start up and shut down of the heaters to test for proper operation.
 - Leak check all gas pipe joints and gas hose connections.
 - Gas pressure checks.
 - Ensuring the heater is properly positioned away from combustible materials.
- Heater installation must take into consideration proper hanging height to allow for clearance to combustible material.
- Ensure the heater installation does not interfere with water, gas, or electrical lines.
- Position the gas hose to prevent any contact with the tubes, heat reflectors, and burner box.
- Ensure that all accessories that ship with the heater have been removed from shipping containers and installed. This pertains to gas hose, regulators, supports, hangers, etc.
- This heater requires a regulated gas supply to its gas inlet :
 - The regulator must be the proper design for the application.
 - The regulator must control the inlet pressure to the heater within the range specified on the dataplate.
 - Regulators mounted outside must be protected from adverse weather conditions.
 - Regulators with pressure relief valves should be installed outside the building.
 - Regulators installed inside should be vented outside.
 - Local state and national codes apply to regulator installation. Refer to NFPA 54, National Fuel Gas Code, and NFPA 58, Standard for Storage and Handling of Liquefied Petroleum Gas.
- Always use pipe joint compound that is resistant to liquefied petroleum gas and natural gas.

9. Check all connections for gas leaks using approved gas leak detectors. Gas leak testing is performed as follows:

! WARNING

Fire and Explosion Hazard

- Do not use open flame (matches, torches, candles, etc.) in checking for gas leaks.
- Use only approved leak detectors.
- Failure to follow this warning can lead to fires or explosions.
- Fires or explosions can lead to property damage, injury or death.

- Check all pipe connections, hose connections, fittings and adapters upstream of the gas control with approved gas leak detectors.
 - In the event a gas leak is detected, check the components involved for cleanliness and proper application of pipe compound before further tightening.
 - Tighten the gas connections as necessary to stop the leak.
 - After all connections are checked and any leaks are stopped, turn on the main burner.
 - Stand clear while the main burner ignites to prevent injury caused from hidden leaks that could cause flashback.
 - With the main burner in operation, check all connections, hose connections, fittings and joints as well as the gas control valve inlet and outlet.
 - If a leak is detected, check the components involved for cleanliness in the thread areas and proper application of pipe compound before further tightening.
 - Tighten the gas connection as necessary to stop the leak.
 - If necessary, replace the parts or components involved if the leak cannot be stopped.
 - Ensure all gas leaks have been identified and repaired before proceeding.
10. Install a sediment trap at the gas valve inlet to prevent foreign materials (pipe compound, pipe chips and scale) from entering the gas valve. Debris blown into the gas valve may cause that valve to malfunction resulting in a serious gas leak that could

result in a possible fire or explosion causing loss of products, building or even life. A properly installed sediment trap will keep foreign materials from entering the gas valve and protect the safe functioning of that important safety component.

11. Any heater connected to a piping system must have an accessible, approved manual shut off valve installed within six feet (6 ft.) of the heater it serves.
12. Install the proper size of gas supply line to assure proper functioning of the heaters. Consult your fuel gas supplier, or the L.B. White Co., LLC. for proper line sizing and installation.
13. Light according to instructions on heater or within Owner's Manual.
14. The heater is designed for L.P. vapor withdrawal or natural gas only. Do not use this heater in a propane liquid withdrawal system. Do not permit propane in liquid form to enter the heater.
15. The corrosive atmosphere present in animal confinement buildings can cause component failure or heater malfunction. The heater should be periodically inspected and cleaned in accordance with the Maintenance and Cleaning Instructions in this manual. Make sure that livestock is protected by a back up alarm system that limits high and low temperatures and also activates appropriate alarms.
16. Take time to understand how to operate and maintain the heater using the owner's manual. Make sure you know how to shut off the gas supply to the building and to the heater. Contact your gas supplier if you have any questions.
17. Any defects found in performing any of the service procedures must be eliminated and defective parts replaced immediately. Retest the heater before placing it back into service.
18. Do not exceed input rating stamped on the dataplate of the heater. Do not exceed the burner manifold pressure stated on the dataplate. Do not use an orifice size different than specified for the specific input rating of this heater, fuel type configuration and altitude.

Initial Setup

1. Plan the installation. Determine location for the heater to optimize its heat pattern, keeping in mind cooler regions in the house (end walls, and curtains) and clearances to combustibles.
2. Install the eye bolts to the burner box as shown in Fig. 5.

FIG. 5

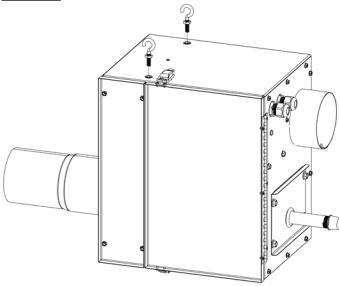
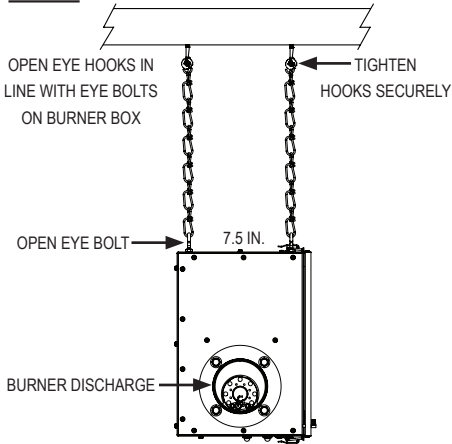
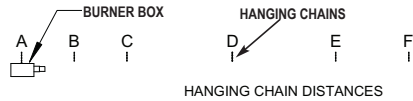


FIG. 5a



3. Install eye bolts to the joist and hang the burner box. See Fig. 5a
4. From the burner box chain, measure the distances shown in Fig. 6. **Aligning to the center of the burner box discharge**, hang chains at these points, using open eye hooks.

FIG. 6



TRUSS CENTERS	HEATER LENGTH	A-B (FT)	B-C (FT)	C-D (FT)	D-E (FT)	E-F (FT)
4 FT	30 FT	4	4	12	8	X
	40 FT	4	4	12	8	12
5 FT	30 FT	5	5	10	10	X
	40 FT	5	5	10	10	5
10 FT	30 FT	5*	5	10	10	X
	40 FT	5*	5	10	10	5*

* A support must be created between the trusses

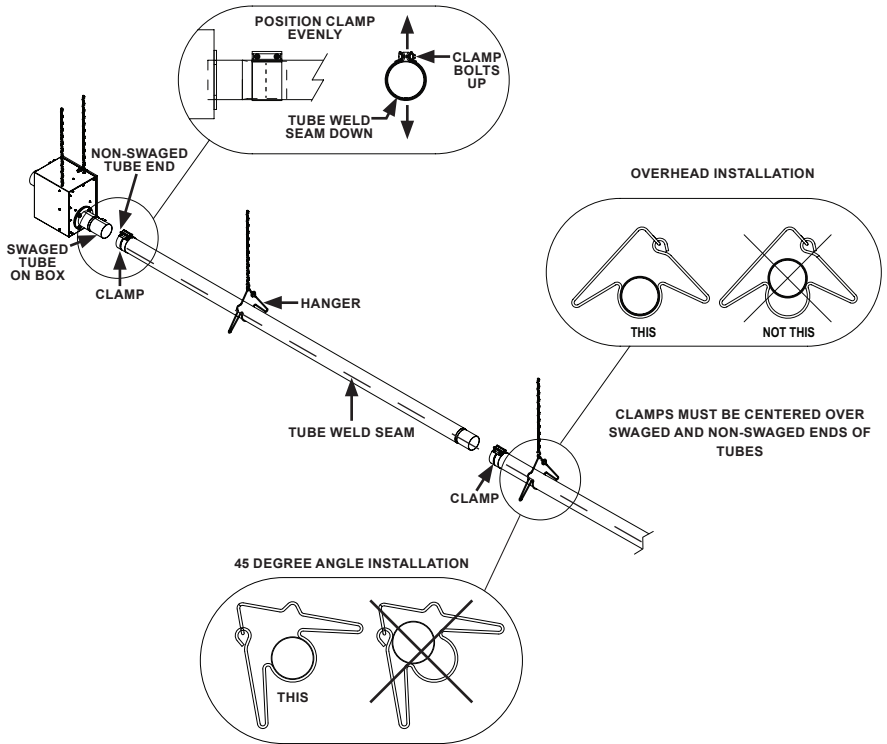
Hanging the Tubes

Refer to Fig. 7 (on next page) and the following instructions:

1. Slide a tube clamp over the non-swaged end of the 10 ft. tube.
2. Install the tube over the swaged discharge tube on the burner box:
 - a. **Tube weld seam must be down.**
 - b. **Non-swaged end of tube must be completely pushed over swaged end of adjoining tube.**
 - c. **Clamp must be centered over tube connection.**
 - d. **Clamp bolts must be up.**
 - e. **Clamp bolts must be tight.**
 - Tighten both bolts firmly.
 - Tighten both bolts to 35 ft.-lbs.
 - Finish tightening bolts to 65 ft. lbs.

3. Slide on hangers and connect to chains.
4. Connect and hang remaining tubes. **Follow the procedures given in Step 2.**
5. **The tube assembly should be either hung level, or with a downward slope away from the burner box not exceeding 1 in. for every 10 ft. of tube.**

FIG. 7

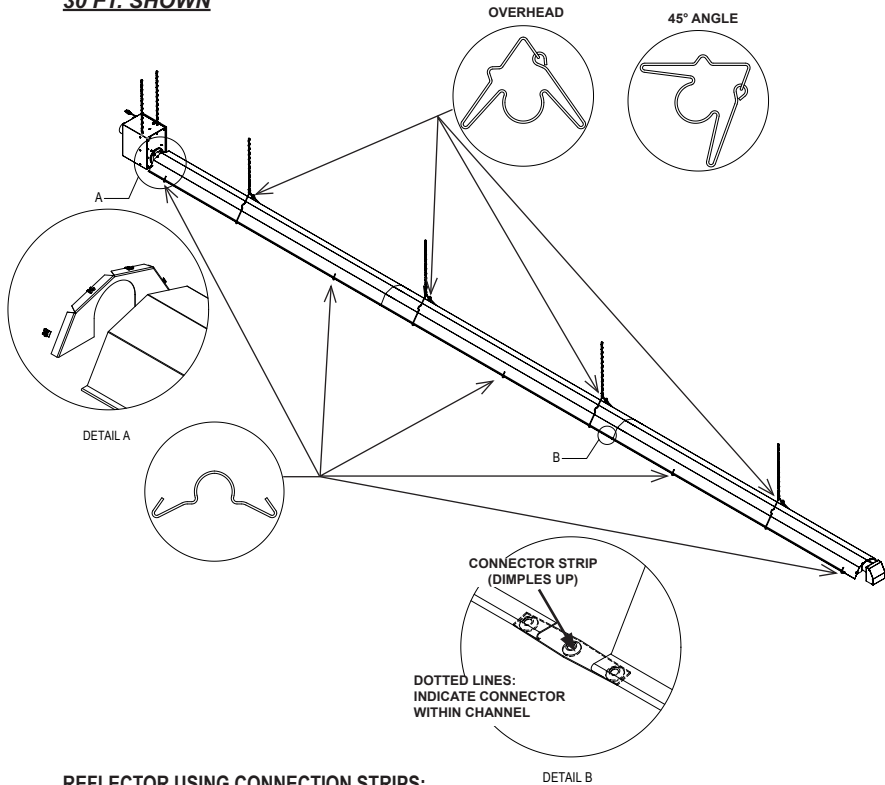


Installing Reflectors & Supports

Refer to Fig. 8 for the following instructions:

1. Attach end cap to one end of the first reflector. Use the 4 U-clips to secure it to the reflector.
2. Slide this end of the reflector through the hangers until it is about 1 to 2 inches away from the burner box.
3. Connect the next reflector to the previous one using the dimpled connector strips. See detail B below.
4. Repeat Steps 3 for remaining reflectors.
5. Install a support hanger at the end of the reflector nearest burner box and at the end of the last reflector. Install the remaining hangers evening throughout the length of the tube. Do not install a support directly next to a hanger of the same reflector.
6. Attach the remaining end cap to the last reflector with the U-clips.

FIG. 8
30 FT. SHOWN



REFLECTOR USING CONNECTION STRIPS:

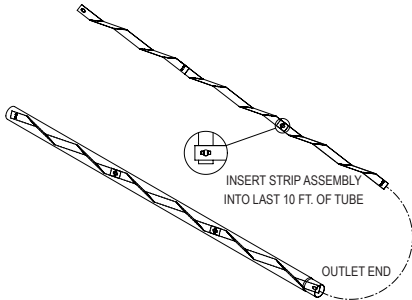
- Insert a connection strip halfway into the channel at both sides of a reflector, at the end without flanges.
- Slide this end of the reflector through the hanger and push it firmly into the folded channels of the reflector at the burner box.
- The unflanged end of the reflector will overlap the flanged end of the adjacent reflector.

	30 FT.	40 FT.
HANGERS	4	5
SUPPORT REFLECTORS	5	7
REFLECTORS	3	4

Air Turbulation Strips & Exhaust Vent

When installing the air turbulators, make sure that the strips fit into the tube and do not extend beyond the end of the tube. See FIG. 9a.

FIG. 9a

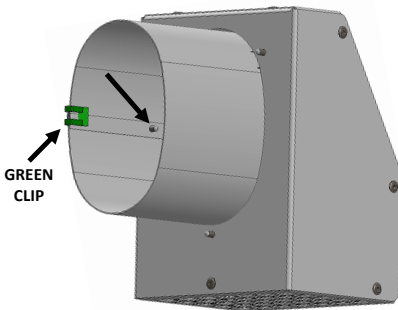


	30 FT.	40 FT.
TURBULATION STRIPS	4	3

REGARDLESS OF TUBE DESIGN:

- Ensure the green clip is installed on the exhaust vent. See Fig. 9b.
- Insert the exhaust vent to the end of the last tube.
- Push the exhaust vent until the tube is stopped at the rivet.

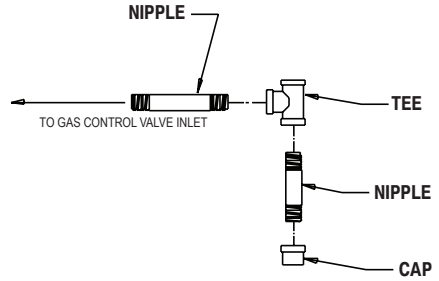
FIG. 9b



Sediment Trap Assembly

Assemble the tee, nipple, and cap to the nipple at the gas inlet of heater. See Fig. 10. Use a wrench to hold the pipe nipple when installing the sediment trap. Tighten securely. The sediment trap assembly must always be mounted in a vertical position. Check all connections for gas leaks using approved gas leak detectors.

FIG. 10



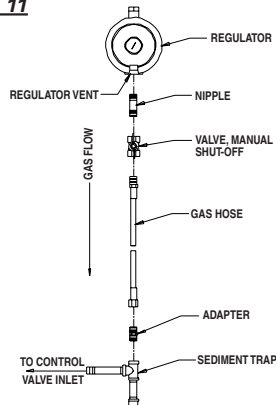
Manual Shut-off Valve, Hose & Regulator

1. Assemble the components together. See Fig. 11.

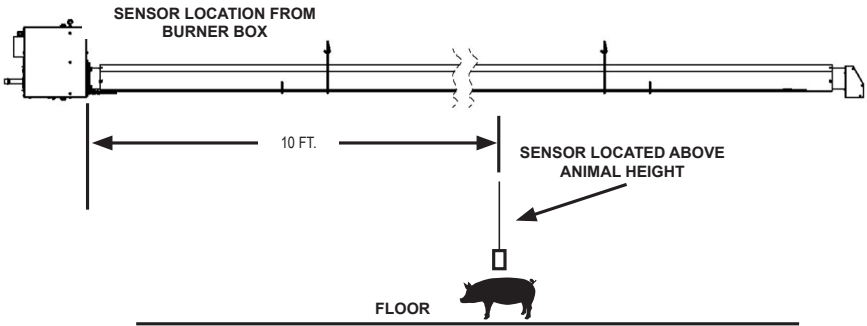
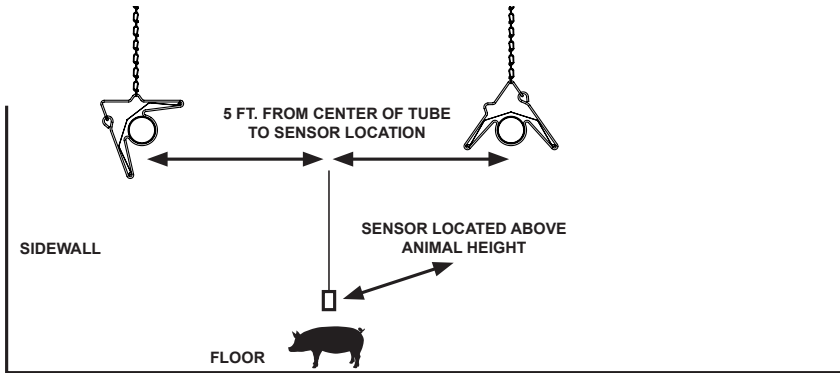
This view shows general assembly of the components. The regulator must always be mounted so its vent, regardless of location on the regulator, is always pointed downward. Ensure hose is positioned away from the heater.

2. Tighten all connections securely and check for gas leaks

FIG. 11



Temperature Sensor Location



Heater Controls

⚠️ WARNING Electrical Shock Hazard

- Disconnect the heater's electrical supply before interconnecting the temperature control.
- Failure to disconnect the electrical supply will result in electrical shock.
- Electrical shock will cause severe injury or death.

The Sentry heater is operated by the building's environmental control system. To accomplish this, the heater must be connected to an electrical outlet controlled by a relay or set of contacts that is closed and opened by the building controller.

Connecting series tap thermostat kit.

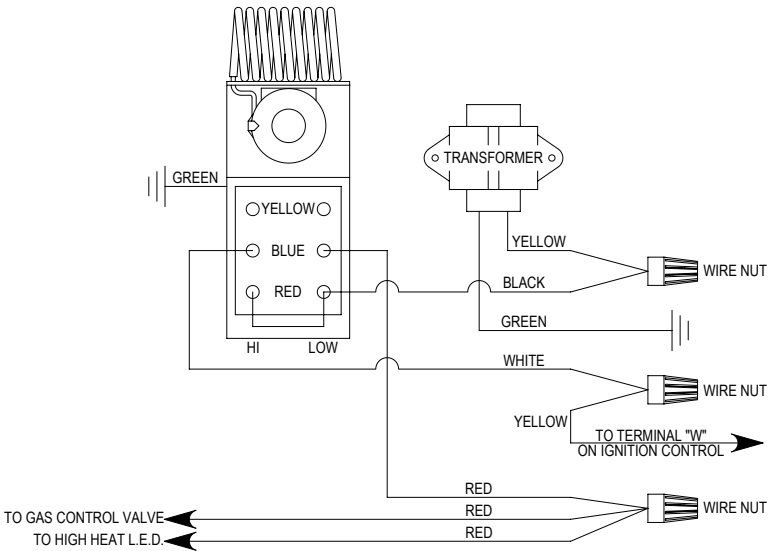
- Connect power cord of heater to female side of thermostat cord set.
- Plug the male side of cord set into an approved extension cord or to wall outlet.

Heaters with Two Stage Gas Control Valves

Heaters with two stage gas controls are wired to start up and operate in the first stage position as shipped from the factory. Connections to a thermostat or building controller is required for further operation.

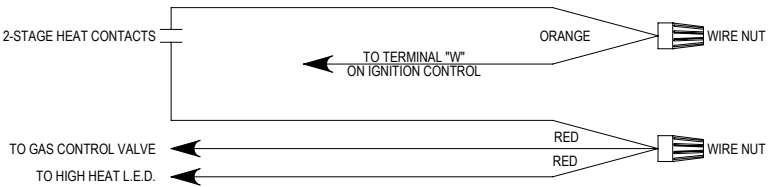
1. Wiring Two Stage Thermostat

- Remove wire nut at orange and yellow wires.
- Connect wiring of two stage thermostat as shown.



2. Building Controller Connections

- Remove wire nut at orange, yellow and red wires
- Connect controller contacts as shown.
- Supply an electrical connection (jumper) between relays in building control to allow staging transition of gas control valve.

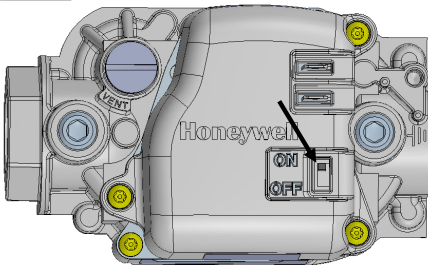


Start-Up Instructions

Follow steps 1 - 6 on initial start-up after heater installation. For normal start-up, set building control thermostat above room temperature. The heater will start.

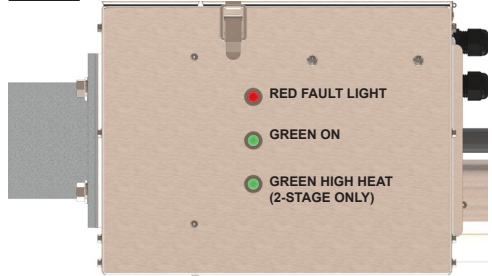
1. Open all manual fuel supply valves and check for gas leaks using approved leak detectors. The gas control valve has a manual shut-off feature incorporated into the valve assembly. Single stage only - ensure the indicator on the valve is turned to the ON position.

FIG. 12



2. Connect the electrical cord to an approved electrical outlet.
3. This heater includes a direct ignition control module for purposes of controlling the timing of the ignition process of the heater as well as monitoring of the safety functions. A red FAULT LED (light emitting diode) is on the burner box side. **A flashing red light identifies a problem in the operation of the heater.** Refer to the troubleshooting decal on the interior of the access panel for assistance in troubleshooting.
4. On a call for heat, the motor will start and run for 5 seconds and the ON green light will be lit. The High Heat green light will be lit when the second stage solenoid is energized. See FIG. 13.

FIG. 13



5. This pre-purge is a safety feature and a normal operational characteristic prior to ignition taking place. After five (5) seconds, the igniter will spark.
6. The ignition control will make up to three trials for ignition. Each trial for ignition will take approximately ten seconds. If the main burner does not light, the system will lock out, and a three flash pattern will be given by the red LED.

NOTE: It is normal for air to be trapped in the gas hose on new installations. The heater may try more than once for ignition before the air is finally purged from the line and ignition takes place.

Shut-Down Instructions

If the heater is to be shut down for cleaning, maintenance or repair, follow steps 1-4. Otherwise, set the building's thermostat to off or no heat for standard shut down.

1. Close all manual fuel supply valves.
2. With the heater lit, allow the heater to burn off excess fuel in gas supply hose.
3. If applicable, turn the thermostat to off or no heat position.
4. Disconnect the heater from the electrical supply.

Cleaning Instructions

WARNING

Fire, Burn and Explosion Hazard

- This heater contains electrical and mechanical components in the gas management, safety and airflow systems.
- Such components may become inoperative or fail due to dust, dirt, wear, aging, or the corrosive atmosphere of an animal confinement building.
- Periodic cleaning and inspection as well as proper maintenance are essential to avoid serious injury or property damage.

1. Before cleaning, close the fuel supply valve to the heater and disconnect the electrical supply. Allow heater to cool.
2. The heater should have dirt or dust removed periodically:
 - a. After each flock or between building re-population, give the heater a general cleaning using pressurized air or a soft brush on its burner box, reflectors, and tubes.
 - b. At least once a year, give the heater a thorough cleaning. At this time, open the burner box and brush or blow off control components, and fan motor assembly. Ensure the burner air inlet venturi ports and the throat of the casting are free of dust accumulation.
 - c. When washing with water, do not spray water into the burner box or the tubes. Observe and obey the Warning within these Cleaning Instructions. This same Warning is supplied on the heater.

WARNING

This heater may be washed only on its external areas provided:

- The burner box is disconnected from the electrical supply.
- The burner box access panel is closed and securely latched.
- Water spray nozzle shall not discharge within 6 feet of the burner box and its tubes.
- The water pressure does not exceed 45 PSIG for 10 seconds on each side of burner box.
- The burner box is not reconnected to electrical supply for a minimum of 1 hour or until the it is thoroughly dry.

Improper cleaning can cause severe personal injury or property damage due to water and/or cleaning solution:

- In electrical components, connections and wires within the burner box causing electrical shock or component failure.
- On gas control components causing corrosion which can result in gas leaks and fire or explosion from the leak.

Clean internal components of the burner box with a soft, dry brush or cloth, or compressed air.

Maintenance Instructions

Before Each Use:

1. Check to make sure the heater's surrounding area is kept clear and free from combustible materials, gasoline, and other flammable vapors and liquids.
2. Regulators must be periodically inspected to make sure the regulator vents are not blocked. Debris, insects, insect nests, snow, or ice on a regulator can block vents and cause excess pressure at the appliance.
3. Check all hose and tubing assemblies for cracks, cuts, abrasions or ruptures. Replace any hoses that are suspect.
4. Check all gasketing on burner box and fan housing discharge. Ensure all is in good condition. Replace any gasket material if suspect
5. Ensure reflector supports and hangers are secure, reflectors do not sag, and are properly located.
6. Check overall condition of heater for cracked or damaged components, loose screws or bolts, nicked or cut electrical leads, etc. Replace any suspect components.
7. For safety as well as for optimum performance at the heater, it is necessary to keep the outside of the heater free of dust, dirt or any combustible material. If any operational component shows signs of rust or corrosion, replace the component immediately.
8. Check all warning or instruction labels, dataplates, etc. If any are lost or become hard to read, replace them immediately. Do not operate the heater until you have all instructions and can read and understand them.

Annually:

1. Check the air inlet assembly. Ensure the air inlet assembly and its duct are free of blockages.
2. Have your gas supplier check all gas piping for leaks or restrictions in gas lines. Also, at this time have your gas supplier clean out the sediment trap at the inlet of the burner box of any debris that may have accumulated.

3. Regulators can wear out and function improperly. Have your gas supplier check the date codes on all regulators installed and check delivery pressures to the appliance to make sure that the regulator is suitable for continued use.

General Service Instructions

WARNING Burn Hazard

- Heater surfaces are hot for a period of time after the heater has been shut down.
- Allow the heater to cool before performing service, maintenance, or cleaning.
- Failure to follow this warning will result in burns causing injury.

WARNING Fire and Explosion Hazard

- Do not disassemble or attempt to repair any heater components or gas train components.
- All component parts must be replaced if defects are found.
- Failure to follow this warning will result in fire or explosions, causing property damage, injury, or death.

1. Close the fuel supply valve to the heater and disconnect the heater's electrical supply before servicing unless it is necessary to have the valve open and electrical supply connected for your service procedure.
2. Open the burner box for access to control components. Close and latch after servicing.
3. For reassembly, reverse the respective service procedure. Ensure gas connections are tightened securely.
4. Clean the heater's burner orifice and pressure switch orifices with compressed air or a soft, dry rag. Do not use files, drills, broaches, etc. to clean the orifice hole. Doing so will enlarge the hole, causing ignition or combustion problems. Replace the orifice if it cannot be cleaned properly.
5. Disconnect appropriate component electrical leads when servicing. **After servicing, light the heater to ensure proper operation and check for gas leaks.**

Igniter

The tip of the igniter is exposed to a harsh environment consisting of high temperatures and combustion products. Periodic servicing is required.

A. REPLACEMENT

1. Remove the 4 bolts from the burner tube See Fig 14.
2. Remove the igniter screws from the burner plate. See Fig 15.

FIG. 14

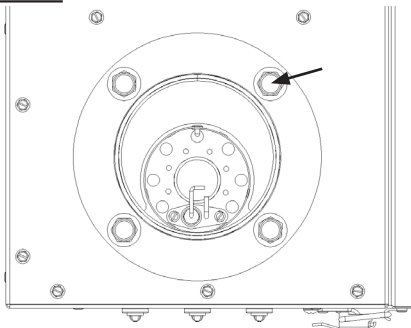
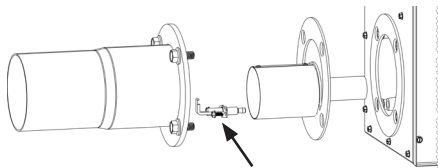


FIG. 15

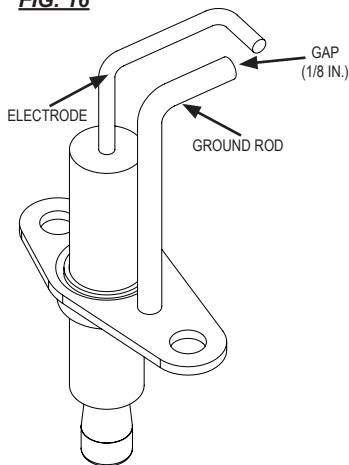


3. Pull the igniter cable's rubber boot from the igniter.

B. MAINTENANCE

1. Ensure the gap is 1/8 in. See Fig. 16.
2. Clean the electrode and ground rod using emery cloth.
3. Ensure the insulative base of the electrode is not cracked.

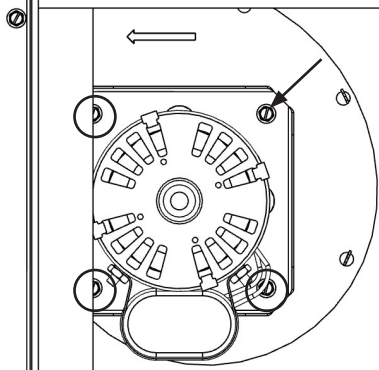
FIG. 16



Motor and Fan Assembly

- A. Motor/Fan wheel removal.
1. Disconnect motor leads.
 2. Remove motor mount screws. See Fig. 17
 3. Remove motor/fan wheel assembly from the burner box.

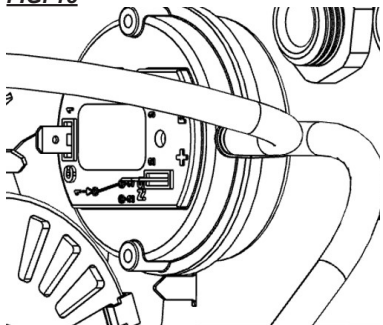
FIG. 17



Air Differential Pressure Switch, Tubing and Orifices.

Pressure switch tube: See Fig. 18. Check for blockage. Clean with compressed air after removing the tube from the switch and the brass fittings.

FIG. 18



Air differential switch:

The air differential switch is a normally open, critical safety device. Its purpose is to prove to the ignition control that there is a sufficient difference in pressure within the burner box before the ignition control sends power to open the gas control valve.

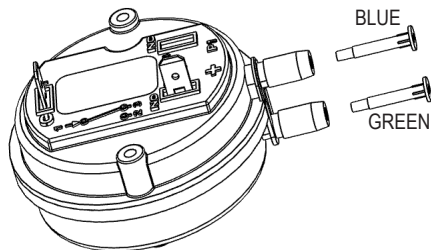
Its electrical contacts close based on the difference between pressures between the air inlet and the burner box compartment. If the switch does not close after the fan motor starts, the igniter will not spark nor will the gas control valve open. A rapid flash will occur on the red fault diagnostic light. The ignition control will lock-out for 60 seconds before another trial attempt. After three (3) fail attempts, a 2-time flash pattern will occur. The same will occur if the fan motor does not start on a call for heat.

If the switch is already closed from a past ignition trial, and stays closed prior to a call for heat, the fan motor will not start, nor will the igniter spark or the valve open. A rapid flash will occur on the red fault diagnostic light. The ignition control will lock-out for 60 seconds before another trial attempt. After three (3) failed attempts, a 1-flash pattern will occur.

The air differential switch orifices should be free of dirt. If cleaning is needed, use pressurized air:

- Remove the respective orifice from the switch.
- Hold up to light. If blocked, clean with air.
- Ensure the orifices are pushed back into the proper location on the switch. See Fig. 19.
- Green orifice install into negative (grey) barb.
- Blue orifice install into positive (black) barb.

FIG. 19

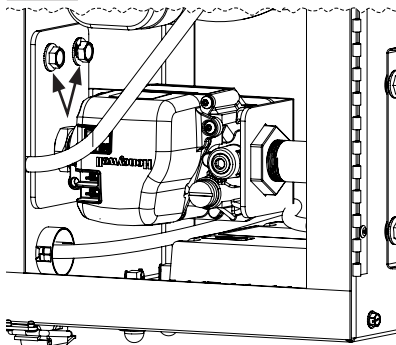


Gas Control Valve

(SINGLE STAGE SHOWN)

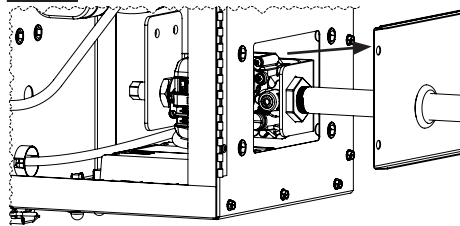
1. Remove the hose from the sediment trap
2. Remove the two (2) nuts that secure the gas control valve's mounting bracket to the center partition of the burner box. See Fig. 20.

FIG. 20



3. Remove the four (4) screws from the gas valve door.
4. Pull the gas valve assembly through the gas valve door opening. See Fig. 21.

FIG. 21

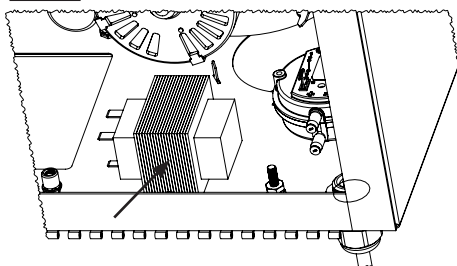


Transformer

The transformer (Fig. 22) reduces the main power supply voltage to 24 VAC. The 24 VAC is sent directly to the ignition controller. Once the ignition controller receives 24 VAC, an ignition cycle begins.

If the transformer is receiving main power voltage, but 24 VAC is absent from its output terminals, the transformer is defective. The heater will not operate.

FIG. 22



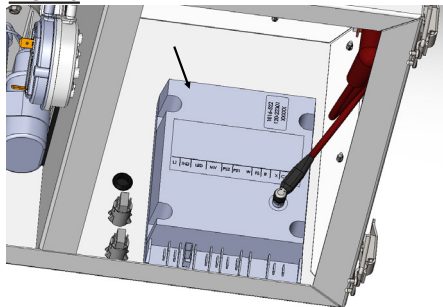
Ignition Control

The control sends and receives voltages to operate or verify operation of components. Refer to the following and Fig. 23 to understand the ignition control's terminal designators if doing voltage checks on the control.

- L1:** Line voltage to control from power supply.
- IND:** Line voltage from control to fan motor.
- LED:** Connection for control's diagnostic light wiring harness.
- MV:** 24 VAC from control to gas control valve.
- PS2:** 24 VAC from air pressure switch back to control
- PS1:** 24 VAC from control to air pressure switch.
- W:** 24 VAC from transformer to control. (without this voltage the ignition control will not function)
- FS:** No terminal.
- R:** No terminal.
- X:** No terminal.
- C/COM:** Control and burner ground.

Also refer to "Operation Sequence" within this manual as needed to understand operation of the ignition control during a call for heat.

FIG. 23



Gas Pressure Checks

(Single stage valve shown)

- The following is a typical procedure to be followed in checking gas pressures.
- Consult the dataplate on the heater or page 4 in this manual for specific pressures.
- Gas pressure measured at the inlet to the gas valve is Inlet Pressure and gas pressure measured at the outlet of the gas valve is Burner Manifold Pressure

MATERIALS REQUIRED

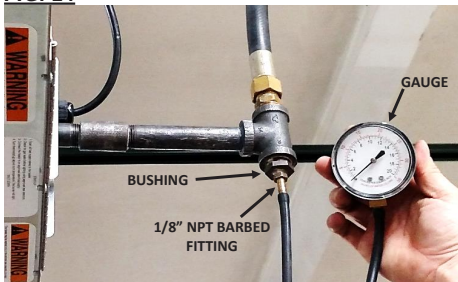
Quantity Description

2	Gas pressure gauges capable of reading up to 35 in.W.C. (may also be order from L.B. White, part number 00764)
1	Bushing, 1/2 in.x 1/8 in.
1	1/8 in. barbed fitting
1	3/16 in. allen key

A. Preparation

1. Disconnect the heater from the electrical supply and close the fuel supply valve to the heater inlet.
2. Remove the lower nipple and cap from the sediment trap and install the bushing and 1/8 in. NPT barbed fitting. See Fig. 24.

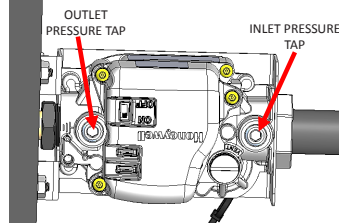
FIG. 24



3. Open the burner box access panel.

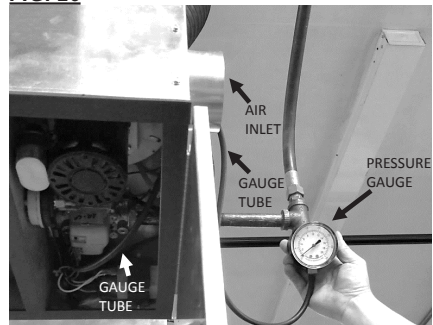
4. Remove either the inlet or outlet pressure tap. See Fig. 25.

FIG. 25



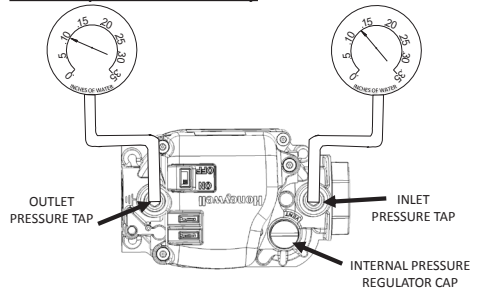
5. Remove the air inlet tube from the burner box and route the gauge tube through the air inlet to the gas control valve. See Fig. 26.

FIG. 26



6. Attach pressure barb and hose to either the gas valve inlet or outlet to measure gas pressure. Securely tighten the pressure barb. See Fig. 27.

FIG. 27 (SINGLE STAGE)



B. Reading Pressures

1. With the heater operating, the pressure gauges should read the pressures specified on the dataplate. See Fig. 31.
2. Do the readings at pressure gauges agree with that

specified on the dataplate? If so, then no further checking or adjustment is required. Proceed to section C.

3. If the inlet pressures do not agree with that specified on the dataplate, then the regulator controlling gas pressure to the heater requires adjustment.
4. If the inlet pressure is correct but the burner manifold pressure does not agree with that specified on the dataplate, then the pressure regulator internal to the gas control requires adjustment. Refer to the following instructions.
The burner box will need to be opened and closed/latched as needed to accurately set the gas control pressures.
5. If manifold gas pressure is different than dataplate, remove the internal pressure regulator cap and adjust the internal pressure regulator clockwise or counter clockwise. See Fig. 27.

C. Completion

1. Close the fuel supply valve to the heater and allow the heater to burn off any remaining fuel.
2. Disconnect the heater from its electrical supply.
3. Remove the gauges and associated hardware.
Install plugs in gas control valve and in connector.
Tighten all securely.
4. Reconnect hose and adapter to sediment trap.
tighten securely.
5. Open fuel supply valve and reconnect electrical supply to heater. Start the heater and check for gas leaks. Set thermostat to desired temperature.

Troubleshooting Information

READ THIS ENTIRE SECTION BEFORE BEGINNING TO TROUBLESHOOT PROBLEMS.

WARNING

- This heater can start at any time.
- Troubleshooting this system may require operating the unit with line voltage present and gas on. Use extreme caution when working on the heater.
- Failure to follow this warning may result in property damage, personal injury or death.

The following troubleshooting guide provides procedures for isolating equipment problems. This guide is intended for use by a QUALIFIED GAS HEATER SERVICE PERSON. **DO NOT ATTEMPT TO SERVICE THESE HEATERS UNLESS YOU HAVE BEEN PROPERLY TRAINED.**

TEST EQUIPMENT REQUIRED

The following pieces of test equipment will be required to troubleshoot this system with minimal time and effort.

- **Digital Multimeter** - for measuring AC voltage and resistance.
- **Low Pressure Gauge** - for checking inlet and outlet pressures at the gas control valve against dataplate rating.
- Visually inspect equipment for apparent damage.
- Check all wiring for loose or worn connections.

Refer to the system operation sequence in this section to gain an understanding as to how the equipment operates during a call for heat. Understanding the sequence of operation of the ignition module and related components is essential as it will relate directly to problem solving provided by the flow charts.

The ignition control module is self-diagnostic. The red LED on the burner box will flash a specific light pattern depending upon the problem which is diagnosed. To effectively use the flow charts, you must first identify what the problem is by the light pattern of the red diagnostic light.

A flashing light indicates a problem.

The flash pattern will be followed by a pause and then a repeat of the flash pattern until the problem is corrected. Refer to the tables below to identify what page to refer to when troubleshooting any problems.

Problems	Page
ON L.E.D. light is not ON, heater is not operating	26
L.E.D. diagnostic light is flashing:	
A. Rapid Flash	27
B. One Time.....	27
C. Two Time.....	27
D. Three Time.....	28
E. Four Time.....	28
F. Five Time	28

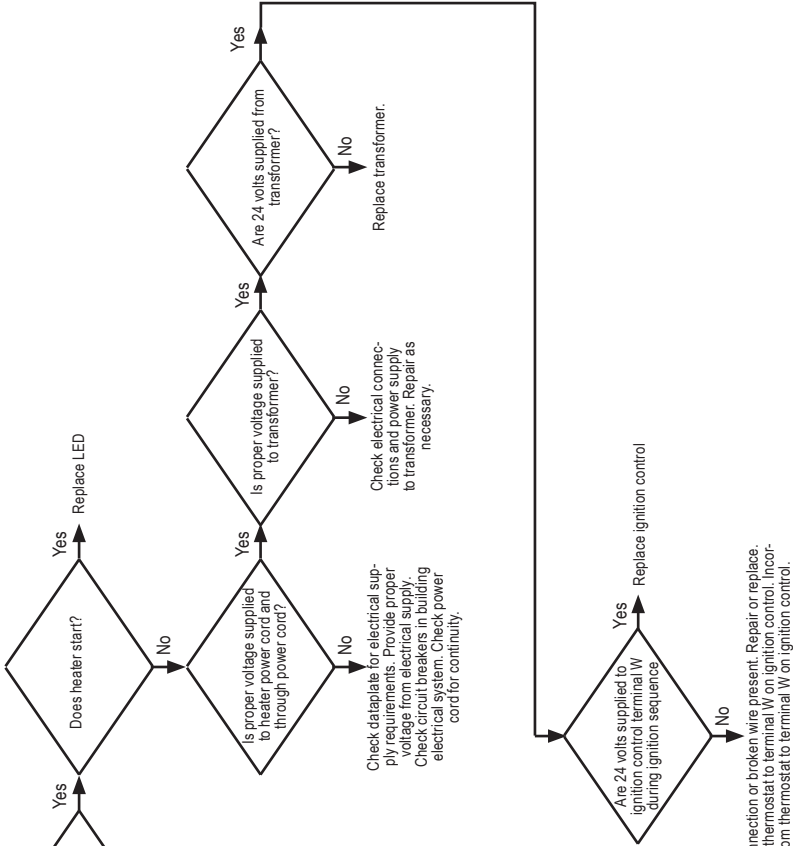
Components should be replaced only after each step has been completed and replacement is suggested in the flow chart. Refer to the Servicing sections as necessary to obtain information on disassembly and replacement procedures of the component once the problem is identified by the flow chart.

DIRECT IGNITION OPERATION SEQUENCE:

- Line voltage is sent to ignition control and to transformer.
- Transformer reduces line voltage to 24 volts which is sent to the ignition control.
- Ignition control module performs self safety check.
- Internal components are tested.
- Air pressure switch circuit is checked.
- Ignition control module begins ignition trial sequence.
- Ignition control module sends 24 volts to air pressure switch.
- Ignition control sends line voltage to motor.
 - Green light is illuminated
 - Fan motor starts.
- Air pressure switch contacts close and 24 volts are returned to the ignition control module.
- Ignition control module sends high voltage to the igniter electrode.
 - Igniter sparks.
- Ignition control module sends 24 volts to the gas control valve.
 - Gas control valve opens.
- Ignition occurs.
 - Igniter continues to spark for 4 seconds
 - Ignition spark is cut off.
- Gas valve stays open.
- Room warms to desired temperature.
 - Thermostat is satisfied.
 - Heater shuts down.
- Process starts again on a call for heat.

Problem

ON LED not on during a call for heat. Heater does not operate.

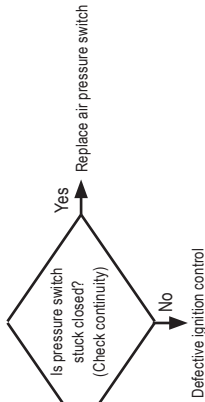


Red LED Flashing

Rapid Flash → Heater is in a 60 seconds soft lock-out. A hard lock will occur after the third trial, with either a 1 or 2 flash code. The air pressure switch contacts are closed prior to a call for heat or does not close on a call for heat after the motor starts. Refer to the Service Instructions for Air Pressure Switch in this manual.

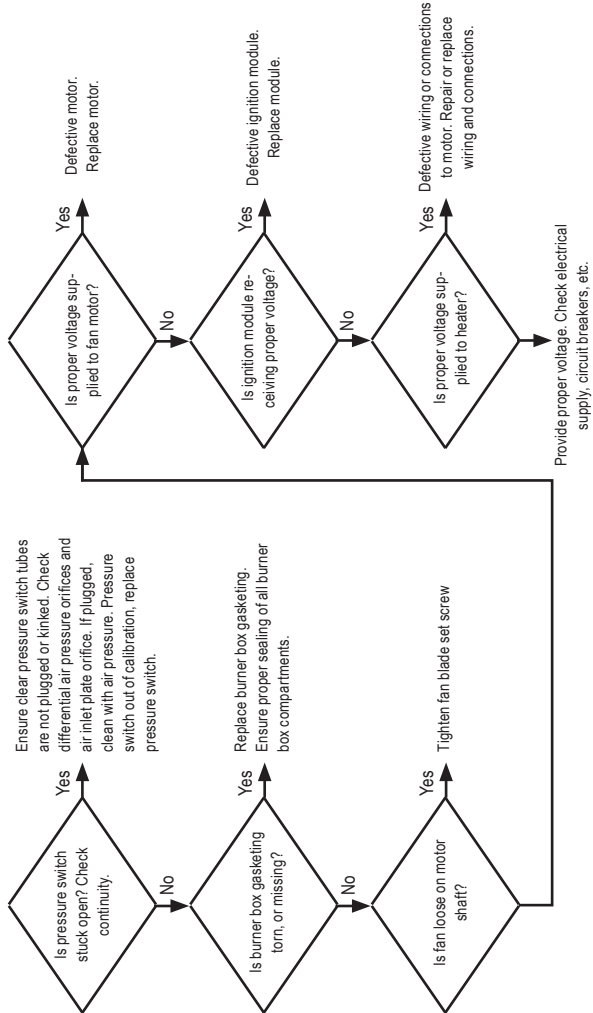
One Flash

Differential air pressure switch contacts are closed before fan motor starts.

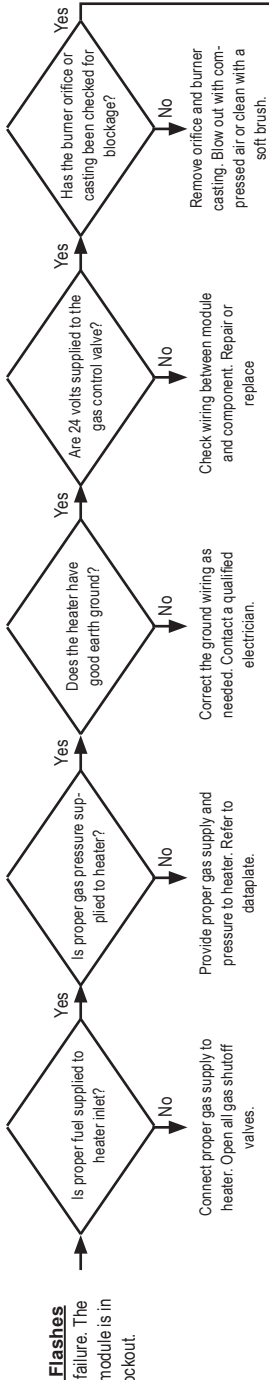


Two Flashes

Differential air pressure switch contacts have not closed. Indicates no air proving in fan section of heater



Three Flashes
Ignition failure. The control module is in safety lockout.



CLOSE THE GAS SUPPLY WHEN DOING THESE TESTS.

Determine if ignitor receives high voltage. (Assistance of another person may be required)

- A.
 - Open the burner box.
 - Disconnect ignition lead from ignition control.
 - Position a screwdriver tip about 3/16 inch away from ignition control where lead was connected.
 - Start the heater
 - When fan motor starts, by-pass the air pressure switch.
 - If spark is not observed, replace the ignition control.
- B.
 - If spark is observed, reconnect ignition cable to control.
 - Disconnect the lead at the igniter.
 - Hold the screwdriver about 3/16 in. from the igniter connector within the boot.
 - Start the heater
 - When fan motor starts, by-pass the air pressure switch.
 - If spark is not observed, replace the ignition lead.
 - If spark is observed, replace the igniter.

Is proper gas pressure read at the outlet of gas valve?

Does igniter spark?

- (A) If low or high pressure is read, adjust outlet pressure as necessary.
- (B) If gas pressure is not read, replace the gas control valve.

Is igniter high voltage cable connected?

Connect cable to igniter and ignition control.

Is ignition properly gapped?

Gap should be 1/8 in.

Has high voltage cable been checked for continuity?

Check continuity. If an overload or infinity readout is given, replace the cable.

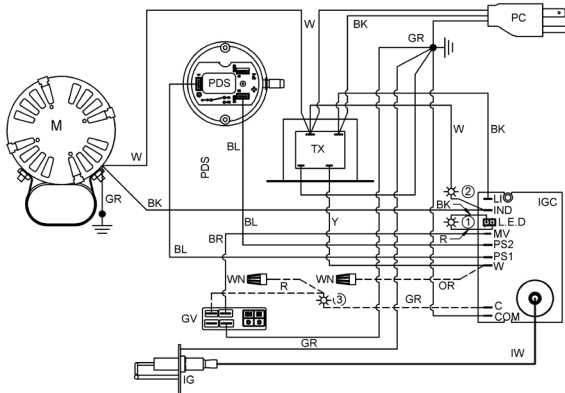
Four Flashes
Lockout from too many flame losses

Flame sensor related problems. Check for cracked or dirty igniter or poor flame sense ground.

Five Flashes

If control module does not reset, then replace it. (Internal board fault). If module resets, then have qualified electrician check power source for power quality problems. (Frequency, line noise, line spikes, loose connections, improper wire gauge)

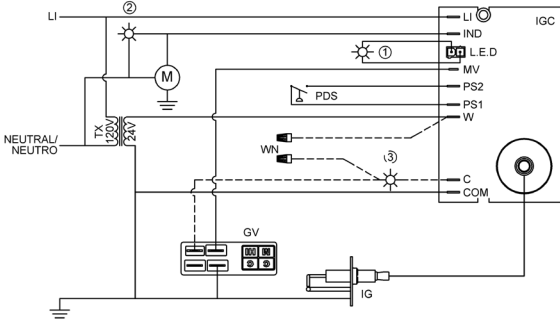
Electrical Connection and Ladder Diagram



- BK: Black/Negro
- BL: Blue/Azul
- BR: Brown/Marrón
- GR: Green/Verde
- OR: Orange/Naranja
- R: Red/Rojo
- W: White/Blanco

- GV: Gas Control Valve/Válvula De Control De Gas
- IG: Igniter/Encendedor
- IGC: Ignition Control/Control De Encendido
- IW: Ignition Wire/Cable De Encendido
- M: Motor/Motor
- PC: Power Cord/ Córdón De Potencia
- PDS: Pressure Differential Switch/ Interruptor Diferencial De Presión Neumática
- TX: Transformer/ Transformador
- WN: Wire Nut/ Tuerca De Terminal
- ⊥: Earth Ground/ Conexión a Tierra
- - - : Two stage heaters only / Calefactores de etapa doble

ELECTRICAL CONNECTION DIAGRAM / DIAGRAMA DE CONEXIONES ELÉCTRICAS



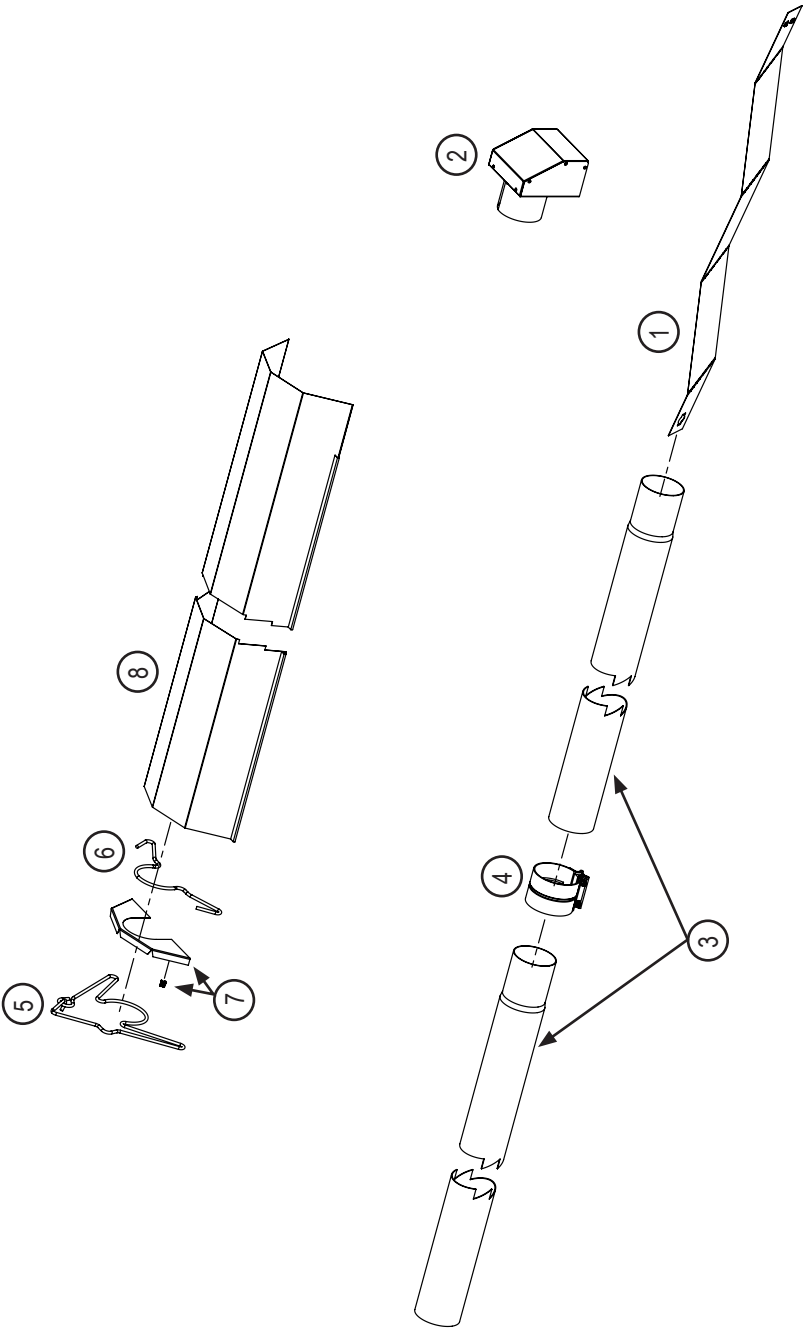
- ①: Status L.E.D. (Red)/LED De Estado(Rojo)
- ②: Green L.E.D.: Full heat (single stage heaters) / LED Verde: Calorífica máxima (Calefactores de etapa simple) / Low heat (two stage heaters) Potencia baja (Calefactores de etapa doble)
- ③: Green L.E.D.: High heat (two stage heaters) LED Verde: Potencia alta (Calefactores de etapa doble)

ELECTRICAL LADDER DIAGRAM / DIAGRAMA ELÉCTRICO DE ESCALERA

150-132736 REV.A

IF ANY OF THE ORIGINAL WIRES AS SUPPLIED WITH THE HEATER MUST BE REPLACED, IT MUST BE REPLACED WITH WIRING MATERIAL HAVING A TEMPERATURE RATING OF AT LEAST 302° F (150°C)/SI SE DEBE CAMBIAR CUALQUIER CABLE ORIGINAL PROPORCIONADO CON EL APARATO, SE DEBE CAMBIAR POR UN CABLE CON UNA CLASIFICACION DE TEMPERATURA DE AL MENOS 302° F(150° C)

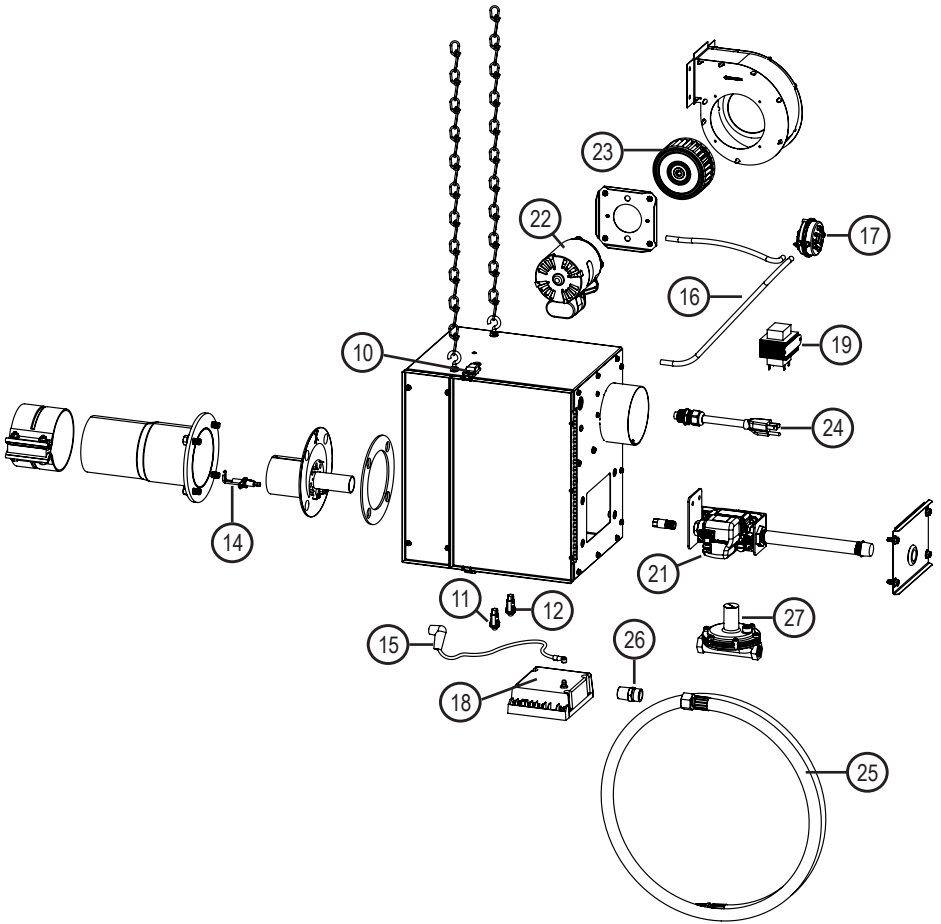
Service Parts Identification Schematic - Tube/Reflector



Parts List - Tube/Reflector

Item	Description	Part #
1	Air turbulation strip	572892
2	Vent cap	573970
3	Tube, calorized, 4 in. x 10 ft., with clamp	573011
	Tube, stainless steel, 4 in. x 10 ft. w/clamp	573387
4	Clamp, 4 in. round, SS	574225
5	Hanger, 4 in. round tube, swine tube	573777
6	Support, Reflector, swine tube	573778
7	End cap with 4 u-clips, swine tube	574099
8	Reflector, 10 ft. tube heater	574100

Service Parts Identification Schematic - Burner Box



Parts List - Burner Box

Item	Description	ST60/ST80	ST100/ST125		
10	Latches and strike	573775			
11	Red LED	573769			
12	Green LED	573770			
12A	**Green LED, High Heat 2-Stage ONLY	-	574159		
13	**Wire harness kit	574219			
14	Ignitor	574220			
15	Ignition cable	572847			
16	Tube, air differential pressure switch	572883			
17	Air differential pressure switch	574489	573682		
18	Ignition Control	573946			
19	Transformer	573697			
20	Gasket, burner	573006			
21	Gas control valve	1-Stage	LPG	573774	
			NG	573773	
		2-Stage	LPG	-	574221
			NG	-	574222
22	Motor	572860			
23	Fan wheel	572864			
24	Power cord with connector	572865			
25	Hose, 6 ft., 3/8 ID. w/adaptor, rigid x swivel	550-21994			
26	Adapter, 1/2 NPT x 5/8-18 UNF-2A	573804			
27*	Regulator, second stage, LPG	500-06553			
	Regulator, second stage, NG	500-24414			
	Regulator, second stage, LPG or NG	500-21999			

* Accessory sold separately

** Not illustrated

Warranty Policy

HEATER

L.B. White Company, LLC warrants that the component parts of its heater are free from defects in material and workmanship, when properly installed, operated, and maintained in accordance with the Installation and Maintenance Instructions, safety guides and labels contained with each unit. If, within 12 months from the date of purchase by the end user, any component is found to be defective, L.B. White Company, LLC will at its option, repair or replace the defective part or heater, with a new part or heater, F.O.B., Onalaska, Wisconsin. Registering your product online with L.B.White will automatically qualify a unit and its component parts for warranty consideration. If a product has not been registered with L.B.White, a copy of the bill of sale will be required to establish warranty qualification. If neither is available, the warranty period will be 12 months from date of shipment from L.B. White.

PARTS

L.B. White Company, LLC warrants that replacement parts purchased from the company and used on the appropriate L. B. White equipment are free from defects both in material and workmanship for 12 months from the date of purchase by the end user. Warranty is automatic if a component is found defective within 12 months of the date code marked on the part. If the defect occurs more than 12 months later than the date code but within 12 months from the date of purchase by the end user, a copy of a bill of sale will be required to establish warranty qualification.

The warranty set forth above is the exclusive warranty provided by L.B. White, and all other warranties, including any implied warranties or merchantability or fitness for a particular purpose, are expressly disclaimed. In the event any implied warranty is not hereby effectively disclaimed due to

operation of law, such implied warranty is limited in duration to the duration of the applicable warranty stated above. The remedies set forth above are the sole and exclusive remedies available hereunder. L.B. White will not be liable for any incidental or consequential damages directly or indirectly related to the sale, handling or use of the equipment, and in any event L.B. White's liability in connection with the equipment, including for claims based on negligence or strict liability, is limited to the purchase price.

Some states do not allow limitations on how long an implied warranty lasts, so the above limitation may not apply to you. Some states do not allow the exclusion or limitation of incidental or consequential damages, so the above limitation or exclusion may not apply to you. This warranty gives you specific legal rights, and you may also have other rights which vary from state to state.

To register your product and ensure full warranty, go to http://www.lbwhite.com/customer_care_center/product-registration/. Please have the serial number(s) and model(s) handy for the products you are registering.

Service

Contact your local L.B. White dealer for replacement parts and service. You may also call the L.B. White Co., Inc. at 1-800-345-7200, for assistance, or email us at customerservice@lbwhite.com.

Be sure that you have your heater model number and configuration number when calling.



WORLD PROVIDER - INNOVATIVE CLIMATE SOLUTIONS

411 Mason Street, Onalaska, WI 54650

800-345-7200 • 608-783-5691

608-783-6115 (fax)

techsupport@lbwhite.com

www.lbwhite.com

150-133878 REV.A



Sentry

Soltera y dos Etapa
Calentadores de
Tubo Radiante

ST060*	60.000 Btu/h
ST080*	80.000 Btu/h
ST100	100.000 Btu/h
ST125	125.000 Btu/h

Extracción de vapor de propano o gas natural
*Solo una etapa

Para ver este manual en línea, visite www.lbwhite.com

Atención

El calentador Sentry ha sido Diseñado, probado y evaluado por L.B. White como un calentador de tubo radiante de gas directo. El calefactores están específicamente diseñados para el uso previsto de calefacción de edificios de confinamiento animal solamente.

SI TIENE PREGUNTAS SOBRE LAS APLICACIONES, CONSULTE A SU AUTORIDAD LOCAL DE SEGURIDAD EN MATERIA DE INCENDIOS, A SU PROVEEDOR DE GAS COMBUSTIBLE O L.B. WHITE COMPANY.

www.lbwhite.com



¡Felicitaciones!

Acaba de comprar el mejor calefactor circulante disponible. Su nuevo calefactor L.B. White incorpora los beneficios del más experimentado fabricante de productos de calefacción con tecnología de avanzada. En L.B. White, le agradecemos la confianza depositada en nuestros productos y serán recibidos los comentarios y las sugerencias que pueda tener. Llámenos a nuestra línea gratuita al 1-800-345-7200.

AVISO

Las instrucciones de instalación aquí contenidas son las de L.B. White Co. LLC sugirió recomendaciones y pautas para la instalación temporal o permanente de L.B. Calentadores White Co. LLC. Los requisitos de los códigos eléctricos y de seguridad locales, estatales y estatales reemplazan estas pautas. En ausencia de códigos locales, consulte la página 7 para la instalación en EE. UU. o Canadá.

CONSULTE LAS INSTRUCCIONES DE ARMADO EN EL INTERIOR

Consulte la información importante sobre elevación en la portada interna.



ESCANEE ESTE CÓDIGO

con su teléfono inteligente o visite <http://goo.gl/yyKxJo> para para ver videos de mantenimiento de los calefactores L.B.White.

* Necesita una aplicación como QR Droid para Android o para iPhone

PROVEEDOR DE SOLUCIONES CLIMÁTICAS INNOVADORAS

411 Mason Street, Onalaska, WI 54650 • 800-345-7200 • 608-783-5691 • 608-783-6115 (fax) • www.lbwhite.com

ÍNDICE

Especificaciones del calefactor	4
Información general.....	5
Distancia de seguridad desde los combustibles.....	5
Precauciones de seguridad	6
Requisitos de entrada de aire.....	9
Instrucciones generales de instalación.....	10
Instrucciones de puesta en marcha.....	17
Instrucciones de apagado	17
Instrucciones de limpieza	18
Instrucciones de mantenimiento.....	19
Instrucciones generales de mantenimiento	19
Guía para resolver problemas	26
Diagrama de conexión eléctrica y escalera	30
Política de garantía.....	35

ADVERTENCIA

Los productos se fabrican para operar a una eficiencia óptima en elevaciones de entre 0 y 2000 pies por encima del nivel del mar.

Si se instalan para funcionar a elevaciones mayores, no funcionará correctamente y puede resultar inseguro. Puede haber productos disponibles que aseguren un funcionamiento adecuado a elevaciones alternativas.

Si necesita un producto para altas elevaciones, y no lo especificó al pedirlo o la caja en la que vino esta unidad no tiene una etiqueta adhesiva de designación de altitud alternativa, comuníquese con el servicio técnico.

**ADVERTENCIA GENERAL**

- SI NO SE CONTEMPLAN LAS PRECAUCIONES E INSTRUCCIONES SUMINISTRADAS CON ESTE CALEFACTOR, PUEDE OCURRIR LO SIGUIENTE:
 - LA MUERTE
 - QUEMADURAS O LESIONES GRAVES
 - DAÑOS O PÉRDIDAS MATERIALES POR INCENDIO O EXPLOSIÓN
 - ASFIXIA DEBIDO A LA FALTA DE UN SUMINISTRO DE AIRE ADECUADO O ENVENENAMIENTO POR MONÓXIDO DE CARBONO
 - DESCARGAS ELÉCTRICAS
- LEA DETENIDAMENTE ESTE MANUAL DEL USUARIO ANTES DE INSTALAR O USAR ESTE PRODUCTO.
- SOLO AQUELLAS PERSONAS QUE PUEDAN LEER, COMPRENDER Y SEGUIR LAS INSTRUCCIONES DEBEN USAR O SOMETER A SERVICIO ESTE CALEFACTOR.
- GUARDE ESTE MANUAL DEL USUARIO PARA CONSULTARLO Y USARLO EN EL FUTURO.
- LOS MANUALES DEL USUARIO Y LAS ETIQUETAS DE REPUESTO ESTÁN DISPONIBLES SIN COSTO. CONSULTE EL SITIO WEB O CONTÁCTESE CON L.B. WHITE AL 1-800-345-7200.

**ADVERTENCIA**

- SE DEBERÁ PROPORCIONAR UNA PRESIÓN DE SUMINISTRO DE GAS APROPIADA A LA ENTRADA DEL CALEFACTOR.
- CONSULTE LA PLACA DE DATOS PARA OBTENER INFORMACIÓN SOBRE LA PRESIÓN DE SUMINISTRO DE GAS ADECUADA.
- SI LA PRESIÓN DE GAS SUPERA LA PRESIÓN DE ENTRADA MÁXIMA ESPECIFICADA EN LA ENTRADA DEL CALEFACTOR, SE PUEDEN PRODUCIR INCENDIOS O EXPLOSIONES.
- LOS INCENDIOS O LAS EXPLOSIONES PUEDEN CAUSAR LESIONES GRAVES, LA MUERTE O DAÑOS EN LA CONSTRUCCIÓN.
- SI LA PRESIÓN DEL GAS ES INFERIOR A LA PRESIÓN DE ENTRADA MÍNIMA ESPECIFICADA EN LA ENTRADA DEL CALEFACTOR, LA COMBUSTIÓN PUEDE SER INADECUADA.
- LA COMBUSTIÓN INADECUADA PUEDE CAUSAR ASFIXIA O ENVENENAMIENTO POR MONÓXIDO DE CARBONO, Y ASÍ OCASIONAR LESIONES GRAVES O LA MUERTE.

**ADVERTENCIA
PELIGRO DE INCENDIO Y EXPLOSIÓN**

- NO DEBE USARSE EN VIVIENDAS NI EN VEHÍCULOS RECREATIVOS.
- LA INSTALACIÓN DE ESTE CALEFACTOR EN UNA VIVIENDA O EN UN VEHÍCULO RECREATIVO PUEDE OCASIONAR UN INCENDIO O UNA EXPLOSIÓN.
- LOS INCENDIOS O EXPLOSIONES PUEDEN OCASIONAR DAÑOS MATERIALES O LA MUERTE.

**ADVERTENCIA
PELIGRO DE INCENDIO, QUEMADURAS,
INHALACIÓN Y EXPLOSIÓN**

- MANTENGA LOS COMBUSTIBLES SÓLIDOS A UNA DISTANCIA SEGURA DEL CALEFACTOR.
- LOS COMBUSTIBLES SÓLIDOS INCLUYEN PRODUCTOS DE MADERA O DE PAPEL, PLUMAS DE AVES, PAJA Y POLVO.
- NO USE EL CALEFACTOR EN ESPACIOS DONDE HAYA O PUEDA HABER COMBUSTIBLES VOLÁTILES O EN SUSPENSIÓN EN EL AIRE.
- ENTRE LOS COMBUSTIBLES VOLÁTILES O EN SUSPENSIÓN EN EL AIRE SE INCLUYEN LOS GASES MINEROS, LA GASOLINA, LOS SOLVENTES, EL DILUYENTE DE PINTURA, LAS PARTÍCULAS DE POLVO Y LAS SUSTANCIAS QUÍMICAS DESCONOCIDAS.
- SI NO SIGUEN ESTAS INSTRUCCIONES, SE PUEDE PROVOCAR UN INCENDIO O UNA EXPLOSIÓN.
- LOS INCENDIOS O LAS EXPLOSIONES PUEDEN CAUSAR DAÑOS MATERIALES, HERIDAS O LA MUERTE.

PARA SU SEGURIDAD

No almacene ni use gasolina u otros vapores y líquidos inflamables cerca de este o de cualquier otro artefacto.

PARA SU SEGURIDAD

Si siente olor a gas:

1. Abra las ventanas.
2. No toque los interruptores eléctricos.
3. Apague toda llama al descubierto.
4. Llame inmediatamente a su proveedor de gas.

**ADVERTENCIA**

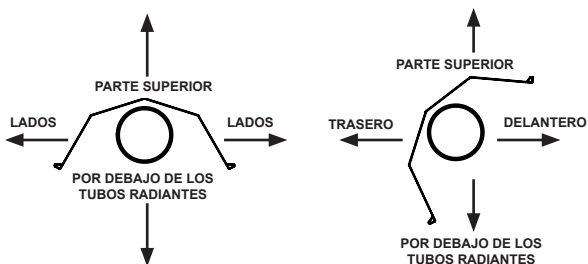
Cáncer y daño reproductivo.
Ver www.P65Warnings.ca.gov.

Especificaciones

		ST060	ST080	ST100	ST125	
Longitudes disponibles de tubos (pies)		30	40	30	40	
Entrada máxima por hora BTU/H		60,000	80,000	100,000	125,000	
Entrada mínima por hora (dos etapas)		-	-	65,000	75,000	
Consumo de combustible por hora (máx.)		GPL (lb)	2.8	3.7	4.63	5.79
		GN (pies cúbicos)	60	80	100	125
Presión de suministro de gas aceptable para el propósito de (in. W.C.) ajuste de entrada (in. W.C.)	MÁX./MÍN.	GPL	13.5 / 11.0			
		GN	13.5 / 7.0			
Presión del colector del quemador (in. W.C.) Alta temperatura de una y dos etapas	GPL	10				
	GN	4.5	4			
Presión del colector del quemador (in. W.C.) Calor lento de dos etapas	GPL	-	-	4		
	GN	-	-	1.6		
Aire de ventilación requerido para mantener la combustión		140 CFM				
Características del motor		1/30 H.P., 3020 RPM, rotación hacia la derecha				
Suministro eléctrico (Voltios/HZ/fase)		120 / 60 / 1				
Amperaje	Arranque	1.16				
	Funcionamiento continuo	1.02				
Distancias seguras mínimas del calefactor a los materiales combustibles más cercanos (pies) Consulte la Fig. 1.	Parte superior		0.6			
	Lados	0° Ángulo	2.5	4		
		Delantero 45°	6			
		Trasero 45°	2.5			
	Extremo de la descarga		3			
	Por debajo de los tubos radiantes		6			
Ubicación del sensor de temperatura		Consulte en la página 16 del manual del usuario				

Distancia de seguridad con combustibles

FIG. 1



Información general

Este manual del usuario incluye todas las opciones y accesorios que se utilizan regularmente en o con este calefactor. Sin embargo, según la configuración que se haya adquirido, es posible que algunos accesorios y opciones no estén incluidos.

Cuando llame para solicitar asistencia técnica, o para obtener cualquier otra información específica, siempre tenga disponible el número del modelo y el número de serie.

Este manual le brindará instrucciones sobre el funcionamiento y el cuidado del calefactor radiante. Pida a su instalador calificado que revise con usted este manual para que usted pueda entender perfectamente el calefactor y su funcionamiento.

La instalación de la línea de suministro de gas y la reparación, la instalación y el mantenimiento del calefactor requieren una continua capacitación y conocimientos que sólo un técnico especializado en calefactores de gas posee, y nadie que no esté propiamente capacitado deberá intentar hacerlos. Consulte la página 7 para obtener definición de los requisitos necesarios.

Póngase en contacto con su distribuidor local de L.B. White local o con L.B. White Company Co, LLC para obtener ayuda, o bien, si tiene preguntas sobre el uso del calefactor o sobre su aplicación.

El equipo de ingeniería de L.B. White Company, LLC tiene una política de mejoramiento continuo de sus productos. La empresa se reserva el derecho de cambiar especificaciones y diseño sin previo aviso.

Precauciones de seguridad



ADVERTENCIA

Peligro de asfixia

- No use este calefactor radiante para dar calor en lugares donde vivan seres humanos.
- No lo use en áreas sin ventilación.
- El flujo de aire de ventilación y combustión no debe obstruirse.
- Se deberá proveer aire de ventilación apropiado para mantener los requisitos de aire de combustión del calefactor que se está usando.
- Consulte la sección de especificaciones del manual del usuario y la placa de datos del calefactor, o comuníquese con LB White Company para determinar los requisitos de ventilación del aire de combustión del calefactor.
- La falta de una cantidad de aire de ventilación apropiada generará una combustión inadecuada.
- La combustión inadecuada puede ocasionar envenenamiento por monóxido de carbono en seres humanos y producir lesiones graves o la muerte. Entre los síntomas del envenenamiento por monóxido de carbono se pueden incluir dolores de cabeza, mareos y dificultad para respirar.
- Los síntomas de la combustión inadecuada que afectan al ganado pueden ser enfermedades, menor índice de transformación de los alimentos o la muerte.

Olor a gas combustible

El gas propano y el gas natural contienen aromatizantes artificiales agregados específicamente para la detección de fugas de gas combustible.

Si se produce una pérdida de gas, debería ser capaz de oler el gas combustible.

¡ESA SERÁ LA SEÑAL PARA ACTUAR DE ¡INMEDIATO!

- No realice acciones que puedan encender el gas combustible. No accione interruptores eléctricos. No tire de cables de corriente ni alargues. No encienda fósforos ni ninguna otra fuente de fuego. No use su teléfono.
- Haga que todos salgan del edificio y que se alejen del área inmediatamente.
- Cierre todas las válvulas de suministro de gas propano o combustible en cilindros, o la válvula de suministro de combustible principal ubicada en el medidor, si usa gas natural.
- El gas propano es más pesado que el aire y puede asentarse en áreas bajas. Cuando tenga motivos para sospechar que existe una fuga de gas propano, manténgase alejado de todas las áreas bajas.
- Use el teléfono de un vecino y llame a su proveedor de gas combustible y al departamento de bomberos de su localidad. No vuelva a entrar al edificio o al área.
- Permanezca fuera del edificio y alejado del área hasta que los bomberos y el proveedor de gas combustible la declaren segura.
- POR ÚLTIMO, deje que el experto en servicio de artefactos de gas combustible y los bomberos realicen una inspección en busca de gas. Solicite que ventilen el edificio y el área antes de volver a entrar. Técnicos de mantenimiento adecuadamente capacitados deben reparar la fuga, revisar para detectar otras fugas y volver a encender el artefacto por usted.

El olor se disipa; no se detecta olor

- Algunas personas no tienen buen olfato. No pueden percibir el olor del químico artificial agregado al gas propano o natural. Debe determinar si es capaz de sentir el aromatizante que se agrega a estos gases combustibles.
- Aprenda a reconocer el olor del gas propano y del gas natural. Los vendedores locales de gas propano y su proveedor local de gas natural (empresa de servicio público) estarán más que contentos de proporcionarle un folleto del tipo "raspe y huele". Úselo para familiarizarse con el olor del gas combustible.
- Fumar puede disminuir su capacidad para oler. Estar en contacto con emanaciones de olor durante un tiempo determinado también podría afectar su sensibilidad a ese olor en particular. Los olores presentes en edificios donde se encuentran confinados animales podrían disfrazar el olor del gas combustible.
- El aromatizante del gas propano y el gas natural es incoloro y la intensidad de su olor puede dispersarse en algunas circunstancias.
- Si hay una fuga subterránea, el paso del gas a través del suelo puede filtrar el aromatizante.
- La intensidad del olor del gas propano puede diferir en intensidad en diferentes niveles. Dado que el gas propano es más pesado que el aire, puede haber más olor en niveles más bajos.
- Siempre tome en serio la más mínima presencia de olor a gas. Si aún detecta algún tipo de olor a gas, no importa lo poco que sea, trátelo como si fuera una fuga seria. Actúe de inmediato, como se explicó anteriormente.

¡Atención - Puntos críticos que debe recordar!

- El gas propano y el gas natural tienen un olor característico. Aprenda a reconocer estos olores. (Consulte las secciones previas "Olor a gas combustible" y "El olor se disipa").
 - Si no cuenta con capacitación adecuada para la reparación y el servicio de calefactores que funcionen con gas propano y natural, no intente encender el calefactor, realizar tareas de mantenimiento o reparación ni aplicar ajustes al sistema de combustible del calefactor de gas propano (PL) o natural.
 - Aunque no cuente con capacitación para el mantenimiento y la reparación de calefactores radiantes, SIEMPRE debe reconocer el olor del gas propano y el gas natural.
 - Una prueba periódica de detección activa alrededor del calefactor o en las juntas de este (es decir, la manguera, las conexiones, etc.) es una buena práctica de seguridad en todas las condiciones. Si huele aunque sea una cantidad muy pequeña de gas, LLAME INMEDIATAMENTE A SU PROVEEDOR DE GAS COMBUSTIBLE. ¡NO ESPERE!
1. No intente instalar, reparar o arreglar este calefactor o la línea de suministro de gas a menos que haya tenido una capacitación continua por expertos y tenga conocimientos sobre calefactores a gas.

REQUISITOS PARA REALIZAR MANTENIMIENTO E INSTALACIÓN:

- a. Para ser un encargado calificado de servicio de calefactores de gas, debe contar con la capacitación pertinente y también tener suficiente experiencia en la resolución de problemas, el reemplazo de piezas defectuosas y la prueba de estos calefactores, a fin de mantener estos artefactos en condiciones de funcionamiento normales y seguras. Debe familiarizarse completamente con cada modelo de calefactor mediante la lectura y el cumplimiento de las instrucciones de seguridad, las etiquetas, el manual del usuario, etc., que se proveen con cada calefactor.
 - b. Para ser una persona calificada en hacer instalaciones de gas, usted debe tener suficiente capacitación y experiencia para manejar todos los aspectos de la instalación, reparación y modificación de líneas de gas, incluidas la selección e instalación del equipo apropiado, y la selección del tamaño adecuado de tubería que se utilizará. Esto debe realizarse conforme a los códigos locales, estatales y nacionales, además de los requisitos del fabricante.
2. Todas las instalaciones o aplicaciones de los calefactores de L.B. White deben cumplir con todos los códigos locales, estatales y nacionales. Se incluyen los códigos de electricidad y gas PL, y de seguridad. Su proveedor local de gas combustible, un electricista local autorizado, el departamento de bomberos local u organismos gubernamentales similares, o su agente de seguros pueden ayudarlo a determinar cuáles son los requisitos de los códigos.
 - ANSI/NFPA 58 (última edición); estándar para el almacenamiento y la manipulación de gases licuados de petróleo y/o
 - ANSI Z223.1/NFPA 54, Código nacional de gas combustible
 - ANSI/NFPA 70, Código nacional de electricidad.
 3. Para instalación en interiores solo en edificios de confinamiento agrícola. No apto para usos en viviendas residenciales.
 4. No mueva, manipule o repare el calefactor mientras esté funcionando o conectado al suministro eléctrico o de combustible.
 5. Este calefactor se puede instalar en áreas sujetas a lavado. Este calefactor se puede lavar solamente en los componentes externos. Consulte las instrucciones de limpieza. No lave el interior de la caja de quemadores ni los tubos. Use solamente aire comprimido, un cepillo suave o un paño seco para limpiar el interior del calefactor y sus componentes. Después del lavado externo, no haga funcionar el calefactor hasta que esté completamente seco. En cualquier caso, espere por lo menos una hora después del lavado externo para hacer funcionar el calefactor.

6. Por seguridad, este calefactor está equipado con un interruptor de presión de aire diferencial. Nunca haga funcionar el calefactor si algún dispositivo de seguridad se ha desactivado. No haga funcionar el calefactor a menos que esta característica esté en pleno funcionamiento.
7. El calefactor está diseñado para operar con la puerta de la caja de acceso al quemador cerrada y con pestillo. No haga funcionar el calefactor si la puerta de la caja de acceso al quemador está abierta.
8. No bloquee las entradas de aire ni las válvulas de descarga del calefactor. Hacerlo podría ocasionar una combustión inadecuada o daños a los componentes del calefactor, lo que provocaría daños materiales o pérdida de animales.
9. Debe revisarse visualmente el conjunto de la manguera con una frecuencia anual. Si hay indicios evidentes de abrasión o desgaste excesivos, o si la manguera está cortada, esta debe reemplazarse antes de hacer funcionar el calefactor. El conjunto de la manguera debe protegerse de los animales y del contacto con superficies calientes durante el uso. El conjunto de repuesto de la manguera debe ser el que especifique el fabricante. Vea la lista de piezas.
10. Verifique fugas de gas y el funcionamiento adecuado tras la instalación del calefactor y antes de la repoblación del edificio.
11. Este calefactor debe ser inspeccionado por una persona calificada en mantenimiento para determinar que su funcionamiento es correcto por lo menos con frecuencia anual.
12. Siempre apague el suministro de gas al calefactor si este no está en uso.
13. Este calefactor está equipado con un enchufe de tres clavijas (conexión a tierra) para brindar protección contra el riesgo de descargas eléctricas, y se debe conectar directamente a un tomacorriente de tres clavijas con una conexión a tierra apropiada. Si no se usa un tomacorriente con una conexión a tierra adecuada, se pueden producir descargas eléctricas que podrían ocasionar lesiones o la muerte.
14. Los calefactores de encendido directo harán hasta tres pruebas de encendido. Si no se logra el encendido, el sistema de control bloqueará la válvula de control de gas. Si huele gas después del bloqueo del sistema, cierre de inmediato todas las válvulas de suministro de combustible. No vuelva a encender el calefactor hasta que esté seguro de que todo el gas que se pudo haber acumulado se haya ido. En cualquier caso, espere por lo menos 5 minutos para volver a encenderlo.
15. Utilice únicamente conectores flexibles o mangueras de gas aprobados calificados para su uso con gas natural o propano.

Requisitos de entrada de aire



ADVERTENCIA

Riesgo de combustión

- Proporcione una entrada de aire fresco con el tamaño y la ubicación adecuados para el calefactor.
 - Consulte las instrucciones de los requisitos de la entrada de aire.
- La falta de una entrada de aire fresco puede provocar lo siguiente:
 - Hollín, que causa daños al edificio
 - Altos niveles de monóxido de carbono, que pueden provocar lesiones graves o la muerte de ganado y seres humanos.
 - El sobrecalentamiento de los primeros 10 pies del tubo, lo que puede provocar incendios que causan daños y lesiones al ganado y seres humanos.
 - Diferencias de mayor temperatura en la longitud de los tubos, lo que puede provocar problemas en el control de la temperatura y el rendimiento de las aves

Este calefactor requiere aire limpio y fresco desde un ambiente con presión atmosférica normal para el funcionamiento y la combustión correctos.

Comuníquese con L.B.White Company si tiene preguntas sobre la instalación de este calefactor.

La entrada de aire puede extraerse del ático o mediante paredes laterales debajo de un protector. Consulte las Figuras 3 and 4.

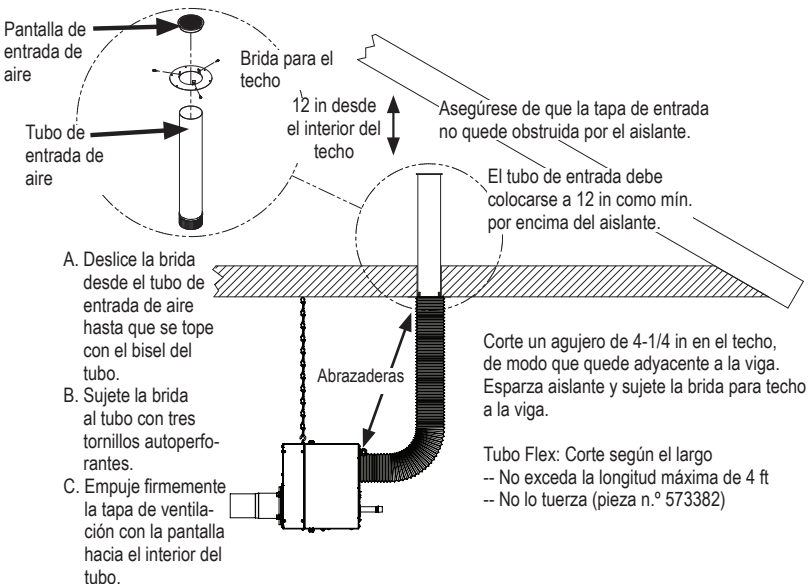
- Todas las juntas de entrada de aire deben estar selladas
- No utilice filtros en el sistema de entrada de aire
- **El sistema de entrada de aire debe mantenerse lo más recto posible. No se permiten curvas de más de 1 a 90°.**
- Comuníquese con L.B.White Co. si tiene preguntas sobre la instalación de este calefactor.

La entrada de aire para la combustión **NO DEBE** extraerse de los siguientes lugares:

- Dentro de la sala de confinamiento.
- Un ático o un lugar donde la presión negativa (el vacío) afecte el aire extraído del ventilador del calefactor. Entre los ejemplos, se incluyen los siguientes:
 - a. Casas con un área de ventilación de soffits del ático más pequeña que el área de ventilación del casquillo del canto
 - b. Entrada de aire del calefactor ubicada dentro de los 20 pies de los ventiladores del edificio
 - c. Lugares donde el viento o los elementos pueden crear presión negativa.

FIG. 3

ASPIRACIÓN DEL AIRE DE ENTRADA DESDE EL ÁTICO



Instrucciones generales de instalación

1. Lea todas las precauciones de seguridad y siga las recomendaciones de L.B. White cuando instale este calefactor. Si durante la instalación del calefactor sospecha que una pieza está dañada o defectuosa, llame a un taller de mantenimiento calificado para que la repare o reemplace.
2. Una vez instalado, el calefactor se debe verificar en un taller de mantenimiento calificado. Esto debe incluir lo siguiente:
 - Encendido y apagado de los calefactores para probar su correcto funcionamiento.
 - Verificación de fugas en todas las juntas de tuberías y conexiones de mangueras de gas.
 - Verificaciones de la presión del gas.
 - Garantía de que el calefactor está ubicado correctamente, lejos de materiales combustibles.
3. La instalación del calentador debe tomar en cuenta la altura de colgado adecuada para permitir el espacio libre para el material combustible.
4. Asegúrese de que la instalación del calefactor no interfiera con las tuberías de agua, gas o electricidad.
5. Coloque la manguera de gas de modo que se evite todo contacto con los tubos, los reflectores del calefactor y la caja de quemadores.
6. Asegúrese de que todos los accesorios que se envíen con el calefactor se hayan extraído de las cajas y se hayan instalado. Esto se aplica a la manguera de gas, los reguladores, los soportes, etc.
7. Este calefactor necesita un suministro de gas regulado en la entrada de gas:
 - El regulador debe tener el diseño adecuado para la aplicación.
 - El regulador debe controlar la presión de entrada al calefactor dentro del rango especificado en la placa de datos.
 - Los reguladores montados en el exterior deben resguardarse contra condiciones climáticas adversas.
 - Los reguladores con la válvula de descarga de presión deben instalarse fuera del edificio.
 - Los reguladores instalados en el interior deben ventilarse hacia el exterior.
 - Se aplican los códigos locales, estatales y nacionales a la instalación del regulador. Consulte NFPA 54, Código Nacional de Gas Combustible, y NFPA 58, estándar para el almacenamiento y la manipulación de gases licuados de petróleo.

8. Siempre use un compuesto de junta de tuberías que sea resistente al gas licuado de petróleo y gas natural.
9. Verifique todas las conexiones en busca de fugas de gas mediante detectores de fugas de gas aprobados. La prueba de fugas de gas se realiza de la siguiente manera:



ADVERTENCIA

Riesgo de incendios y explosiones

- No use llamas (fósforos, sopletes, velas, etc.) para comprobar si hay fugas de gas.
- Use únicamente detectores de fugas de gas aprobados.
- La inobservancia de esta advertencia puede derivar en situaciones de incendios o explosiones.
- Los incendios o las explosiones pueden causar daños materiales, heridas o la muerte.

- Compruebe las conexiones de tuberías y mangueras, los conectores y los adaptadores del control de gas con detectores de fugas de gas aprobados.
- Si se detecta una fuga de gas, compruebe que los componentes estén limpios y que el compuesto de tubería se haya aplicado correctamente antes de continuar con el ajuste.
- Ajuste las conexiones de gas según sea necesario para detener la fuga.
- Después de verificar todas las conexiones y detener las fugas, encienda el quemador principal.
- Manténgase lejos mientras se enciende el quemador principal para evitar lesiones causadas por fugas escondidas que podrían provocar fognazos.
- Con el quemador principal funcionando, verifique todas las conexiones, conexiones de mangueras, conectores y juntas además de la entrada de la válvula de control de gas
- Si se detecta una fuga de gas, verifique que las roscas de los componentes estén limpias y que el compuesto de tubería se haya aplicado correctamente antes de continuar con el ajuste.

- Ajuste la conexión de gas según sea necesario para detener la fuga.
 - Si fuera necesario, reemplace las piezas o componentes pertinentes si no puede detenerse la fuga.
 - Asegúrese de que todas las fugas sean identificadas y reparadas antes de proceder.
10. Instale un colector de sedimentos en la entrada de la válvula de gas para impedir el ingreso en la válvula de gas de materiales extraños (compuesto de tubería, virutas e incrustaciones). Si ingresan residuos en la válvula de gas, se puede producir una falla en la válvula que ocasione una pérdida de gas importante, que a su vez podría ocasionar un incendio o explosión, con la consiguiente pérdida de productos, pérdidas materiales e incluso la muerte. Un colector de sedimentos correctamente instalado impedirá el ingreso de materiales extraños en la válvula de gas y protegerá el buen funcionamiento de ese importante componente de seguridad.
 11. Cualquier calefactor conectado a un sistema de tubería debe tener una válvula de cierre manual aprobada y accesible a una distancia máxima de seis pies (6 pies) del calefactor.
 12. Instale la línea de suministro de gas del tamaño adecuado para garantizar el funcionamiento correcto de los calefactores. Consulte a su proveedor de gas combustible o con L.B. White Co., LLC. para determinar el tamaño adecuado de la línea y su correcta instalación.
 13. Encienda el calefactor según las instrucciones que se encuentran en este o en el manual del usuario.
 14. El calefactor está diseñado para recuperación de vapor de PL o para gas natural únicamente. No use este calefactor en un sistema de recuperación de líquido de gas propano. No permita que entre gas propano en forma líquida al calefactor.
 15. La atmósfera corrosiva presente en los edificios donde se confinan animales puede causar fallas en los componentes o en el calefactor. Debe revisarse y limpiarse periódicamente el calefactor conforme a las Instrucciones de mantenimiento y limpieza de este manual. Asegúrese de que el ganado esté protegido por un sistema de alarma de respaldo que limite las temperaturas altas y bajas y también active las alarmas adecuadas.
 16. Tómese el tiempo para aprender a operar y mantener el calefactor con el manual del usuario. Asegúrese de que conoce cómo cerrar el suministro de gas al edificio y al calefactor. Contacte a su proveedor de gas si tiene alguna duda.

17. Cualquier defecto que halle en la realización de alguno de los procedimientos de mantenimiento debe eliminarse y las partes defectuosas deben reemplazarse de inmediato. Vuelva a probar el calefactor antes de volver a hacerlo funcionar.
18. No supere el valor de entrada estampado en la placa de datos del calefactor. No supere la presión del colector del quemador indicada en la placa de datos. No use un tamaño de orificio distinto del que se indica para el valor de entrada específico de este calefactor, la configuración de tipo de combustible y la altitud.

Instalación inicial

1. Planifique la instalación. Al determinar la ubicación para que el calefactor optimice su patrón de calefacción, tenga en cuenta las regiones más frías de la casa (paredes de fondo y cortinas) y las distancias mínimas a los combustibles.
2. Instale los cáncamos en la caja del quemador como se muestra en la Fig. 5

FIG. 5

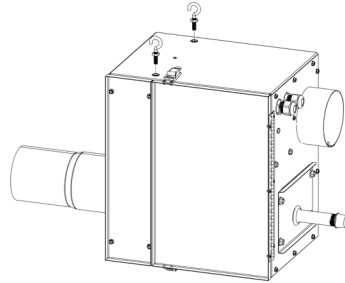
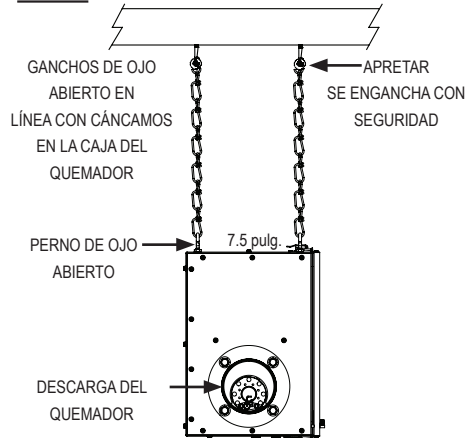
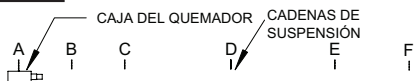


FIG. 5a



3. Instale cáncamos en la viga y cuelgue la caja del quemador. Ver Fig. 5a
4. Desde la cadena de la caja del quemador, mida las distancias se muestra en la Fig. 6. Alineación al centro de la descarga de la caja del quemador, colgar cadenas

FIG. 6.



CENTEROS DEL ARMAZON	HEATER LENGTH	A-B PIES	B-C PIES	C-D PIES	D-E PIES	E-F PIES
4 PIES	30 PIES	4	4	12	8	X
	40 PIES	4	4	12	8	12
5 PIES	30 PIES	5	5	10	10	X
	40 PIES	5	5	10	10	5
10 PIES	30 PIES	5*	5	10	10	X
	40 PIES	5*	5	10	10	5*

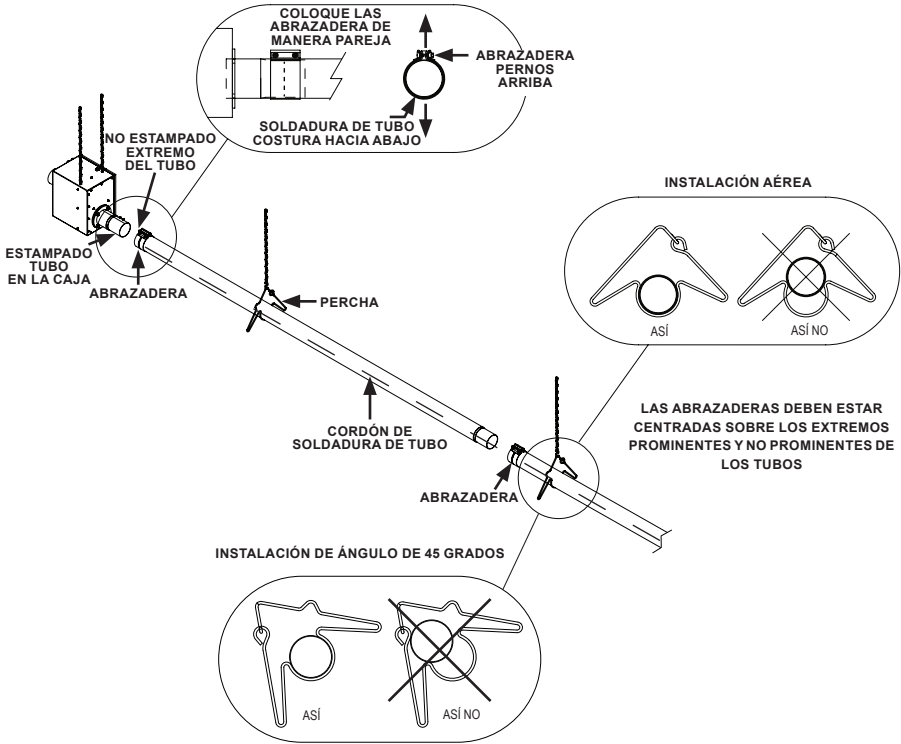
* Se debe crear un soporte entre los armazones

Colgar los tubos

Consulte la Fig. 7 (en la próxima página) y las siguientes instrucciones:

1. Deslice una abrazadera de tubo sobre el extremo no prominente del tubo de aluminio brillante de 10 pies.
2. Instale el tubo sobre el tubo de descarga prominente en la caja de quemadores:
 - a. El cordón de la soldadura del tubo debe estar hacia abajo.
 - b. El extremo no prominente del tubo debe presionarse por completo sobre el extremo prominente del tubo adyacente.
 - c. La abrazadera debe estar centrada sobre la conexión del tubo.
 - d. Los pernos de la abrazadera deben estar hacia arriba.
 - e. Los pernos de la abrazadera deben estar firmes.
 - Ajuste los pernos con firmeza.
 - Ajuste ambos pernos en 35 pies.-lb.
 - Termine de ajustar los pernos en 65 pies lb.
3. Deslice los soportes y conecte a las cadenas.
4. Conecte y cuelgue los tubos restantes. **Siga los procedimientos especificados en el paso 2.**
5. El conjunto del tubo debe estar al nivel de colgado o con una inclinación hacia abajo, lejos del quemador, que no supere 1 pulgada por cada 10 pies de tubo.

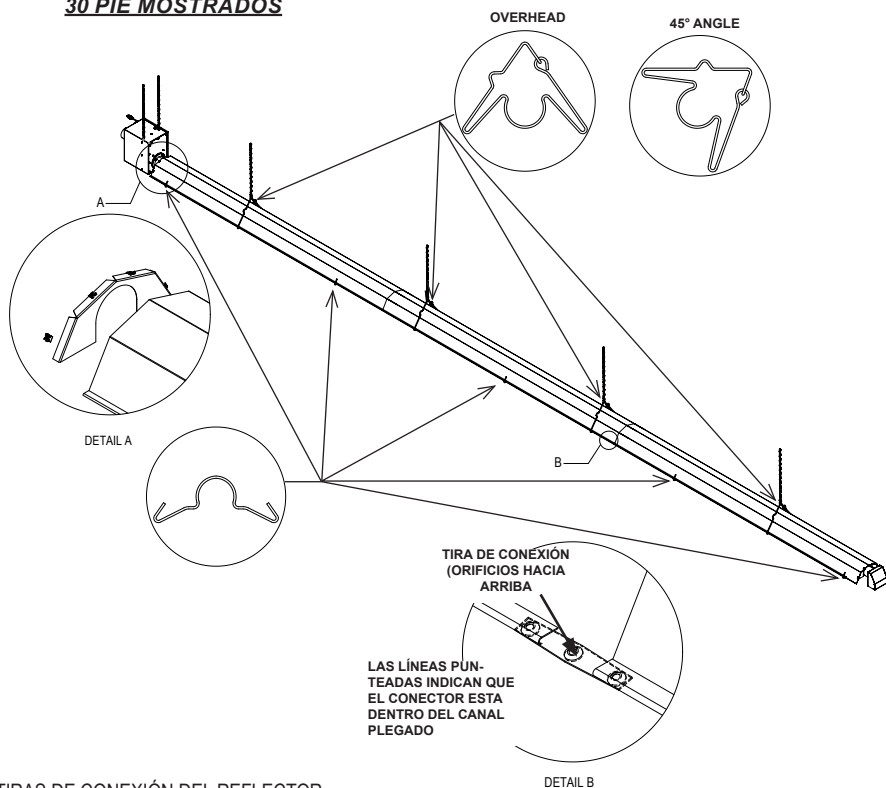
FIG. 7



Instalación de reflectores y soportes

- Consulte la FIG. 8 para las siguientes instrucciones:
1. Coloque la tapa del extremo en un extremo del primer reflector. Utilice los 4 clips en U para fijarlo al relector.
 2. Deslice este extremo del reflector a través de los soportes hasta que esté a una distancia de 1 a 2 pulgadas de la caja del quemador.
 3. Conecte el siguiente reflector al anterior utilizando las tiras de conexión con hoyuelos. Vea el detalle B a continuación.
 4. Repita los pasos 3 para los demás reflectores.
 5. Instale una percha de soporte en el extremo del reflector más cercano a la caja del quemador y en el extremo del último reflector. Instale las perchas restantes por la noche a lo largo del tubo. No instale un soporte directamente anidado a una percha del mismo reflector.
 6. Coloque la tapa del extremo restante en el último reflector con los clips en U.

FIG. 8
30 PIE MOSTRADOS



TIRAS DE CONEXIÓN DEL REFLECTOR:

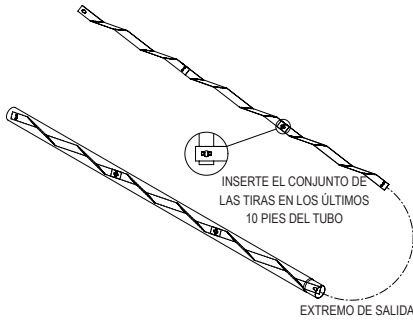
- Inserte parcialmente una tira de conexión en el canal plegado a ambos lados de un reflector en los extremo sin bridas.
- Deslice este extremo del reflector a través del soporte de suspensión y empujelo firmemente hacia los canales plegados del reflector en la caja del quemador.
- El extremo sin bridas del reflector se superpondrá con el extremo con bridas del reflector adyacente.

	30 PIE	40 PIE
PERCHAS	4	5
REFLECTORES DE APOYO	5	7
REFLECTORES	3	4

Tiras de turbulencia de aire y ventilación

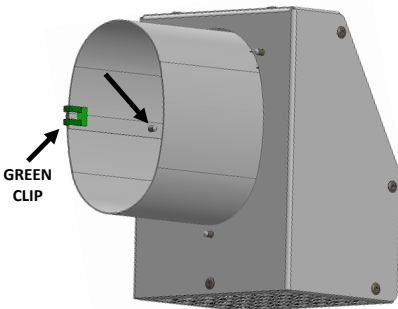
Ensamble las tiras e insertarlas en el último tubo (vea la Fig. 9a). El borde de la tira esta a tope con el extremo del tubo.

FIG. 9a.



	30 PIE	40 PIE
TIRAS DE TUBULACIÓN	4	3

FIG. 9b.



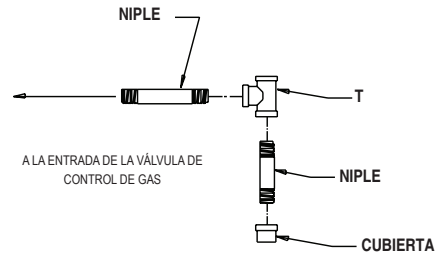
INDEPENDIEMENTE DEL DISEÑO DEL TUBO:

- Asegúrese de que el clip verde esté instalado en el orificio de ventilación. Ver la Fig. 9b
- Inserte la salida de escape al final del último tubo.
- Empuje la ventilación de escape hasta que el tubo se detenga en el remache.

Conjunto del colector de sedimentos

Monte la T, el niple y la tuerca en el niple en la entrada de gas del calefactor. Consulte la Fig. 10. Use una llave inglesa para sostener el niple de tubería cuando instale la trampa de sedimentos. Ajuste de manera segura. El conjunto del colector de sedimentos siempre se debe montar en posición vertical. Verifique todas las conexiones en busca de fugas de gas mediante detectores de fugas de gas aprobados.

FIG. 10.



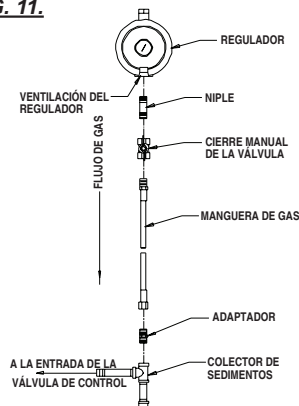
Válvula de cierre manual, manguera y regulador

1. Arme los componentes. Consulte la Fig. 11.

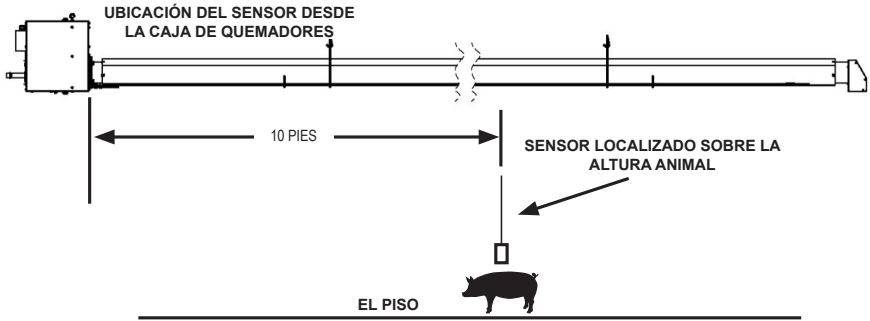
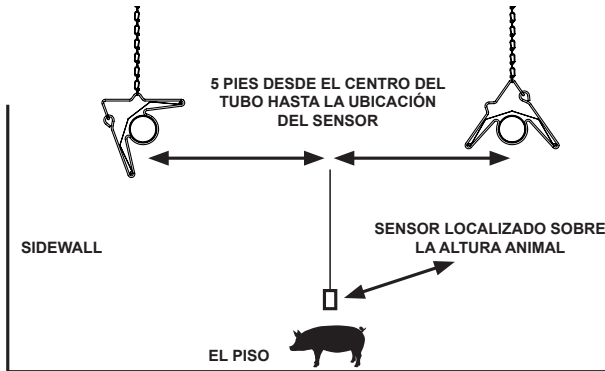
Esta vista muestra el armado general de los componentes. El regulador siempre se debe montar de modo que su ventilación siempre apunte hacia abajo, independientemente de la ubicación en el regulador. Asegúrese de que la manguera esté ubicada lejos del calefactor.

2. Ajuste todas las conexiones de manera segura.

FIG. 11.



Ubicación del sensor de temperatura



Controles del calefactor

ADVERTENCIA Peligro de descarga eléctrica

- Desconecte el calefactor a un suministro eléctrico antes de interconectar el control de temperatura.
- Si no se desconecta el suministro eléctrico, se generará una descarga eléctrica.
- La descarga eléctrica causa lesiones graves o la muerte.

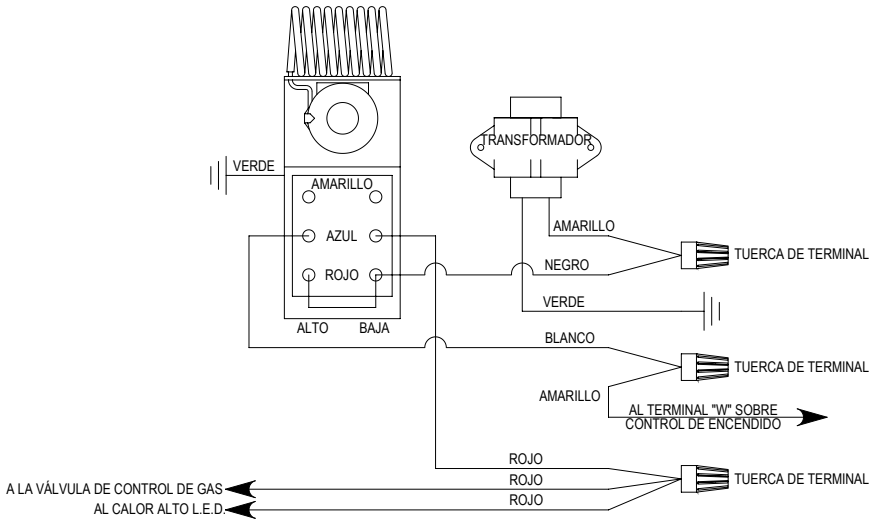
El calefactor de alta presión Sentry se opera mediante el sistema de control ambiental del edificio. Para lograrlo, el calefactor debe estar conectado a un tomacorriente controlado por un relé o conjunto de contactos que abre y cierra el controlador del edificio.

Instalación del conjunto de conexión en serie del termostato.

- Conecte el cable de corriente del calefactor al lado hembra del conjunto de cables del termostato.
- Conecte el lado macho del conjunto de cables a un cable de alargue o toma de pared aprobados.

2. Cableado del termostato de etapa simple

- Quite la tuerca para balle del cable amarillo y del cable naranja.
- Conecte el cableado del termostato, como se muestra, o consulte el diagrama eléctrico del calefactor.

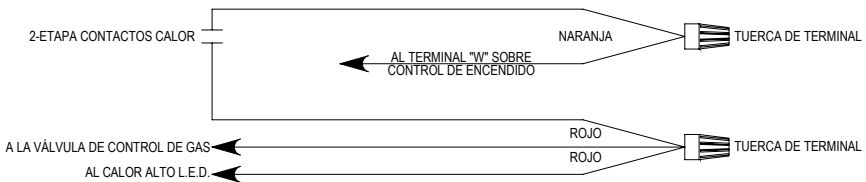


A. Calefactores con valvula de control de etapa doble

Los calefactores (Sentinel unicamente) con controles de gas de etapa doble se envian desde la fabrica cableados para encenderse y funcionar en la posicion de la primera etapa. Se requiere una conexion a un termostato o a un controlador de edificio para su funcionamiento.

1. Cableado del termostato de etapa doble

- Quite la tuerca para cable de los cables naranjas y amarillos.
- Conecte el cableado del termostato de etapa doble como se muestra

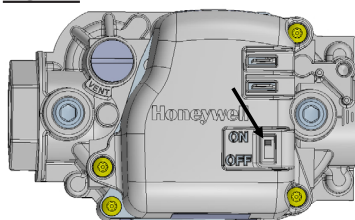


Instrucciones de puesta en marcha

Para el encendido inicial, siga los pasos 1 a 6 después de la instalación del calefactor. Para una puesta en marcha normal, configure el control del edificio por encima de la temperatura ambiente. El calefactor se encenderá.

1. Abra todas las válvulas manuales de suministro de combustible y verifique que no haya fugas de gas utilizando detectores de fugas aprobados. La válvula de control de gas tiene una función de cierre manual incorporada en el conjunto de la válvula. Solo una etapa: asegúrese de que el indicador de la válvula esté en la posición ON..

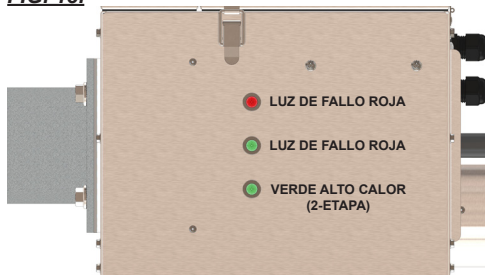
FIG. 12.



2. Conecte el cable eléctrico a un tomacorriente aprobado.
3. Este calefactor incluye un módulo de control de encendido directo con el fin de controlar el ritmo del proceso de encendido del calefactor además de supervisar las funciones de seguridad. Un LED rojo de FALLA (diodo emisor de luz) se encuentra en el lateral de la caja de quemadores. **Una luz roja que destella identifica un problema en el funcionamiento del calefactor.** Consulte la calcomanía de resolución de problemas que se encuentra en el interior del panel de acceso para obtener ayuda para la resolución de problemas.

4. En una llamada de calor, el motor arrancará y funcionará durante
5. Segundos y la luz verde ON se encenderá. LosLa luz verde High Heat se encenderá cuando el segundo el solenoide de etapa está energizado. Vea la figura 13.

FIG. 13.



5. Este pre-purgado es un mecanismo de seguridad y una característica operativa normal antes de que se produzca el encendido. Después de cinco (5) segundos, el encendedor destellará.
6. El control de encendido hará hasta tres pruebas de encendido. Cada prueba de encendido llevará unos diez segundos. Si el quemador principal no se enciende, el sistema se bloqueará y el LED rojo exhibirá un patrón de tres destellos.

NOTA: Es normal que quede aire atrapado en la manguera de gas en instalaciones nuevas. El calefactor puede intentar más de una prueba de encendido antes de que el aire finalmente se purgue de la línea y se produzca el encendido.



ADVERTENCIA **Peligro de incendio, quemaduras y explosión**

- Este calefactor contiene componentes eléctricos y mecánicos en los sistemas de administración de gas, seguridad y flujo de aire.
- Estos componentes pueden dejar de funcionar o experimentar fallas debido a ciertos factores, como el polvo, la suciedad, el desgaste, el envejecimiento o los ambientes corrosivos de los edificios destinados a animales.
- La limpieza e inspección periódicas, así como un mantenimiento adecuado, son fundamentales para prevenir lesiones graves o daños materiales.

Instrucciones de apagado

Si se debe apagar el calefactor para limpieza, mantenimiento o reparación, siga los pasos 1 a 4. De lo contrario, gire el termostato del edificio a la posición off (apagado) o sin calor para el apagado estándar.

1. Cierre todas las válvulas de suministro de combustible manuales.
2. Con el calefactor encendido, permita que queme el exceso de combustible que quede en la manguera de suministro de gas.
3. Si corresponde, gire el control del termostato a la posición off o sin calor.
4. Desconecte el calefactor del suministro eléctrico.

Instrucciones de limpieza

1. Antes de la limpieza, cierre la válvula de suministro de combustible al calefactor y desconecte el suministro eléctrico. Deje que el calefactor se enfríe.
2. Se debe eliminar el polvo o la suciedad del calefactor periódicamente:
 - a. Después de cada rebaño o antes de la repoblación del edificio, realice una limpieza general del calefactor con aire comprimido o un cepillo suave en su caja de quemadores, reflectores y tubos.
 - b. Realice una limpieza profunda del calefactor por lo menos una vez al año. En este momento, abra la caja de quemadores y quite el polvo de los componentes de control con un cepillo o mediante soplado, y el conjunto del motor del ventilador. Asegúrese que no se acumule polvo en los puertos venturi y el cuello de la entrada de aire del quemador ni en la pieza fundida.

- c. Cuando lave con agua, no rocíe agua en la caja del quemador ni los tubos. Lea y obedezca las advertencias que se incluyen en estas Instrucciones de limpieza. La misma advertencia se suministra en el calefactor.



ADVERTENCIA

Este calefactor se puede lavar solamente en las áreas exteriores, siempre y cuando:

- La caja de quemadores esté desconectada del suministro eléctrico.
- El panel de acceso de la caja de quemadores esté cerrado y ajustado con pestillo.
- La boquilla rociadora de agua no descargue en un radio de 6 pies de la caja de quemadores y sus tubos.
- La presión de agua no supere 45 PSIG durante 10 segundos a cada lado de la caja de quemadores.
- La caja de quemadores no se vuelva a conectar al suministro eléctrico por lo menos durante 1 hora o hasta que se seque por completo.

La limpieza inadecuada puede causar lesiones graves o daños materiales debido al agua y/o la solución de limpieza:

- En los componentes, conexiones y cables eléctricos dentro de la caja de quemadores, pueden causar una descarga eléctrica o fallas en los componentes.
- En los componentes de control de gas, pueden causar corrosión, que a su vez puede ocasionar fugas de gas e incendios o explosiones por las fugas.

Limpie los componentes internos de la caja de quemadores con un cepillo o paño suave y seco, o con aire comprimido.

Instrucciones de mantenimiento

Antes de cada uso:

1. Asegúrese de que el área alrededor del calefactor se mantenga limpia y libre de materiales combustibles, gasolina y otros líquidos y vapores inflamables.
2. Los reguladores deben revisarse periódicamente para asegurarse de que sus ventilaciones no estén obstruidas. Residuos, insectos, nidos de insectos, nieve o hielo depositados o acumulados en un regulador pueden obstruir las ventilaciones y causar presión excesiva en el artefacto.
3. Verifique todas las mangueras y tubos para detectar grietas, cortes, abrasiones o rupturas. Reemplace cualquier manguera sospechosa.
4. Verifique todas las juntas en la caja de quemadores y la descarga en el recinto del ventilador. Asegúrese de que todo se encuentre en buen estado. Reemplace cualquier junta sospechosa.
5. Asegúrese de que los soportes del reflector estén asegurados y los reflectores no se muevan y estén ubicados correctamente.
6. Verifique el estado general del calefactor para detectar grietas o componentes dañados, tornillos o pernos sueltos, etc. Reemplace todo componente sospechoso.
7. Tanto por seguridad como por un rendimiento óptimo del calefactor, es necesario mantener el exterior del calefactor libre de polvo, suciedad o material combustible. Si algún componente operativo muestra señales de óxido o corrosión, reemplácelo inmediatamente.
8. Verifique las etiquetas de instrucciones y advertencias, placas de datos, etc. Si se pierden o se dificulta la lectura, reemplácelas inmediatamente. No opere el calefactor hasta que tenga todas las instrucciones y pueda leerlas y comprenderlas.

Anualmente:

1. Verifique el conjunto de la entrada de aire. Asegúrese de que el conjunto de la entrada de aire y su conducto estén libres de obstrucciones.
2. Pida a su proveedor de gas que revise todas las tuberías de gas para detectar fugas o restricciones en las líneas de gas. También en este momento, pida a su proveedor de gas que limpie el colector de sedimentos que está en la entrada de la caja de quemadores para eliminar residuos que puedan haberse acumulado.

3. Los reguladores se pueden desgastar y pueden no funcionar adecuadamente. Pida a su proveedor de gas que verifique los códigos de fecha que figuran en todos los reguladores instalados y las presiones que llegan al aparato para asegurarse de que el regulador sea adecuado para un uso continuo.

Instrucciones generales de mantenimiento

ADVERTENCIA Peligro de quemaduras

- Las superficies del calefactor permanecen calientes durante un tiempo luego de que se apaga el calefactor.
- Deje que el calefactor se enfríe antes de realizar tareas de servicio, mantenimiento o limpieza.
- Si no se cumple con esta advertencia, se pueden producir quemaduras.

ADVERTENCIA Peligro de incendio y explosión

- No desarme ni intente reparar componentes del calefactor o del tren de gas.
- Todas las piezas deben reemplazarse si se encuentran defectos en ellas.
- De lo contrario, se pueden producir incendios o explosiones que podrían ocasionar daños materiales, lesiones o la muerte.

1. Cierre la válvula de suministro de gas al calefactor y desconecte el suministro eléctrico antes de realizar el mantenimiento a menos que sea necesario tener la válvula abierta y el suministro eléctrico conectado para su tarea de mantenimiento.
2. Abra la caja de quemadores para acceder a los componentes de control. Cierre y coloque el pestillo después del mantenimiento.
3. Para volver a realizar el montaje, invierta el procedimiento de mantenimiento respectivo. Asegúrese de que las conexiones de gas estén bien ajustadas.
4. Limpie el orificio del quemador y los orificios de accionamiento de presión del calefactor con aire comprimido o un paño suave y seco. No utilice limas, brocas, escariadores, etc. para limpiar el orificio. De lo contrario, se agrandará el orificio, lo que causará problemas de combustión o de encendido. Reemplace el orificio si no este se puede limpiar correctamente.
5. Cuando realice el mantenimiento, desconecte los cables eléctricos correspondientes del componente.
Después del mantenimiento, encienda el calefactor para asegurarse de que funcione adecuadamente y verifique que no haya fugas de gas.

Encendedor

La punta del encendedor está expuesta a un arduo ambiente con altas temperaturas y productos de combustión. Se requiere el mantenimiento periódico.

A. REEMPLAZO

1. Quite los 4 pernos del tubo del quemador. Vea la figura 14.
2. Quite los tornillos del encendedor de la placa del quemador. Ver Figura 15.

FIG. 14

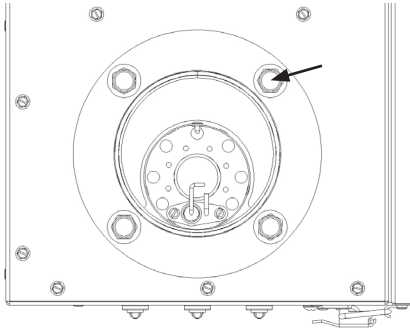
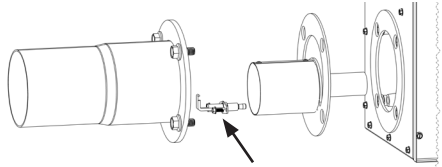


FIG. 15

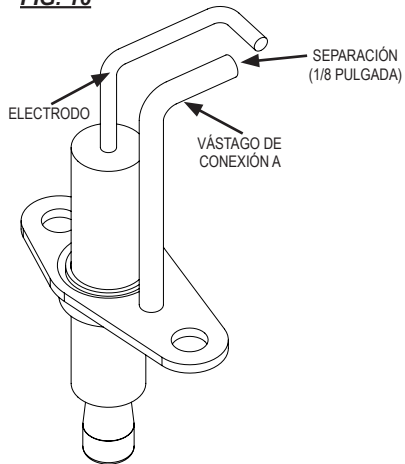


3. Extraiga la bota de goma del cable de encendido del encendedor.

B. MANTENIMIENTO

1. Asegúrese de que la separación sea de 1/8 pulgadas. Consulte la Fig. 16.
2. Limpie el electrodo y el vástago de conexión a tierra con tela de lija.
3. Asegúrese de que la base aislante del electrodo no tenga grietas.

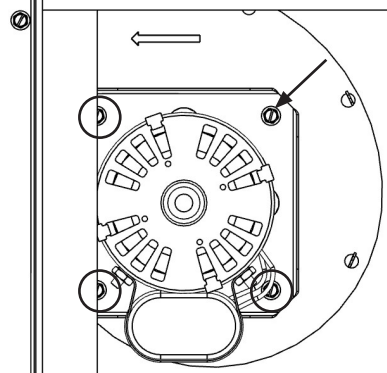
FIG. 16



Conjunto del motor y el ventilador

- A. Extracción del conjunto de motor y turbina
1. Desconecte los cables del motor.
 2. Extraiga los tornillos de montaje del motor. Consulte la Fig. 17.
 3. Extraiga el conjunto de motor y turbina de la caja de quemadores.

FIG. 17

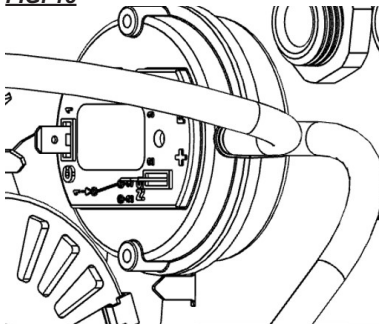


Interruptor de presión de aire diferencial, tubos y orificios.

Tubo del interruptor de presión:

consulte la Fig. 18. Compruebe que no existan bloqueos. Limpie con aire comprimido después de quitar el tubo del interruptor y el orificio de la placa de entrada de aire.

FIG. 18



Interruptor de diferencial de aire:

El interruptor del diferencial de aire es un dispositivo de seguridad crítico, comúnmente abierto. Su objetivo es probar al control de encendido que hay una diferencia suficiente de presión dentro de la caja de quemadores antes de que el control de encendido envíe energía para abrir la válvula de control de gas.

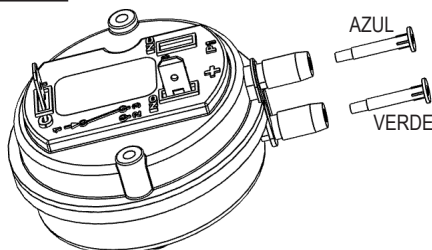
Sus contactos eléctricos se cierran en base a la diferencia de presión entre la entrada de aire y el compartimiento de la caja del quemador. Si el interruptor no se cierra después de arrancar el motor del ventilador, el encendedor no echará chispa ni tampoco se abrirá la válvula de control de gas. En la luz roja de diagnóstico de falla se producirá un destello rápido. El control de encendido permanecerá en cierre eléctrico durante 60 segundos previo a otro intento. Después de tres (3) intentos fallidos, se producirá un patrón de destello de 2 tiempos. Lo mismo ocurrirá si el motor del ventilador no arranca ante una demanda de calor.

Si el interruptor ya se cerró a causa de una prueba de encendido anterior, y permanece cerrado previo a una demanda de calor, el motor del ventilador no arrancará, y tampoco echará chispa el encendedor ni se abrirá la válvula. En la luz roja de diagnóstico de falla se producirá un destello rápido. El control de encendido permanecerá en cierre eléctrico durante 60 segundos previo a otro intento. Después de tres (3) intentos fallidos, se producirá un patrón de destello de 1 tiempo.

Los orificios del interruptor del diferencial de aire deben estar limpios. Si es necesario limpiarlos, use aire presurizado:

- Quite el orificio correspondiente del interruptor.
- Sujete hacia la luz. Si está bloqueado, limpie con aire.
- Asegúrese de que los orificios sean colocados en la ubicación correcta en el interruptor. Consulte la Fig. 19.

FIG. 19

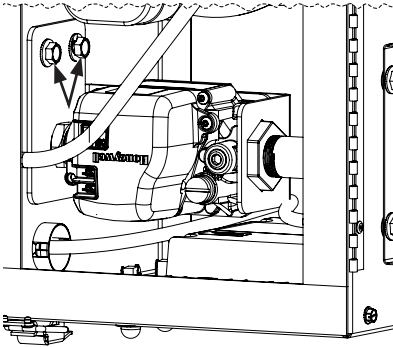


Válvula de control de gas

SE MUESTRA UNA ETAPA

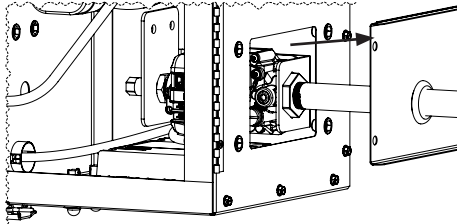
1. Quite la manguera de la trampa de sedimentos.
2. Quite las dos (2) tuercas que fijan la ménsula de montaje de válvula de control de gas al divisor central de la caja del quemador. Consulte la Fig. 20.

FIG. 20.



3. Quite los cuatro (4) tornillos de la puerta de la válvula de control. Consulte la Fig. 20.
4. Deslice el conjunto de válvula por la abertura de la puerta de la válvula de gas. Consulte la Fig. 21.

FIG. 21.

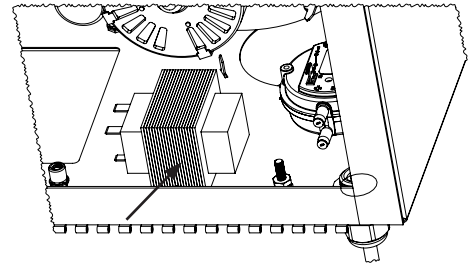


Transformador

El transformador (Fig. 22) reduce el voltaje de suministro de energía principal a 24 V de CA. El voltaje 24 V de CA se envía directamente al controlador de encendido. Una vez que el controlador de encendido recibe 24 V de CA, se inicia un ciclo de encendido.

Si el transformador recibe voltaje del suministro de energía principal, pero no llegan 24 de V de CA de los terminales de salida, el transformador tiene desperfectos. El calefactor no funcionará.

FIG. 22.



Control de encendido

El control envía y recibe voltajes para accionar los componentes o verificar su funcionamiento. Consulte la siguiente información y la Fig. 23 para comprender las designaciones de los terminales del control de encendido si realiza verificaciones de voltaje en el control.

L1: voltaje de línea para controlar desde el suministro de energía.

IND: voltaje de línea desde el control al motor del ventilador.

LED: conexión para el arnés de cableado de luces de diagnóstico del control.

MV: 24 V de CA del control a la válvula de control de gas.

PS2: 24 V de CA del interruptor de presión de aire al control

PS1: 24 V de CA del control al interruptor de presión de aire.

W: 24 V de CA del transformador al control. (sin este voltaje, el control de encendido no funcionará)

FS: sin terminal.

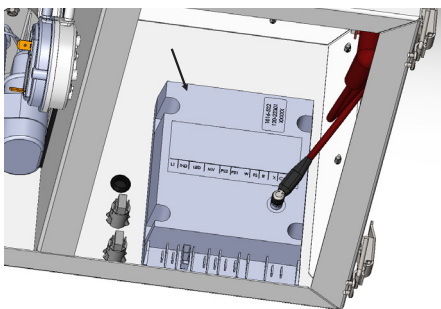
R: sin terminal.

X: sin terminal.

C/COM: tierra de control y quemador.

También consulte "Secuencia de funcionamiento" en este manual según sea necesario para comprender el funcionamiento del control de encendido durante una demanda de calor.

FIG. 23.



Comprobaciones de presión de gas

(Se muestra la válvula de una etapa)

- A continuación, se explica un procedimiento típico que se debe seguir para verificar las presiones de gas.
- Consulte la placa de datos del calefactor o la página 4 de este manual para hallar las presiones específicas.
- La presión de gas medida en la entrada de la válvula de gas es la presión de entrada, y la presión de gas medida en la salida de esta es la presión del colector del quemador

MATERIALES NECESARIOS

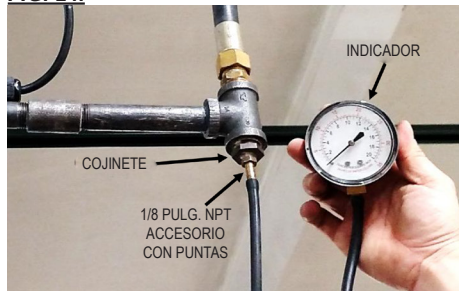
Cantidad Descripción

2	Obtenga dos manómetros con capacidad para leer hasta 35 pulg. de columna de agua (también se puede pedir a L.B.White, número de pieza 00764)
1	Buje, 1/2.x1/8 pulgadas.
1	Accesorio estriado de 1/8 pulgadas.
1	Llave Allen de 3/16 pulgadas.

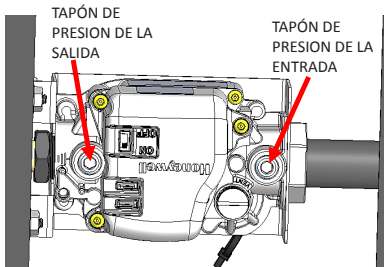
A. Preparación

1. Desconecte el calefactor del suministro eléctrico y cierre la válvula de suministro de combustible de la entrada del calefactor.
2. Extraiga el niple inferior y la tuerca del colector de sedimentos e instale el buje y 1/8 pulgadas. Accesorio estriado NPT. Consulte la Fig. 24.

FIG. 24.



- Abra el panel de acceso a la caja del quemador.
- Quite el injerto a presión de entrada o salida. Consulte la Fig. 25.

FIG. 25.

- Retire la entrada de aire de la caja del quemador y pase el tubo del manómetro a través de la entrada a la válvula de control de gas. Consulte la Fig. 26.

FIG. 26.

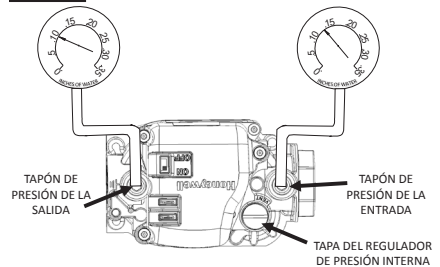
-- Adose la púa de presión y manguera a la entrada o salida de la válvula de gas para medir la presión de gas. Ajuste bien la púa de presión."

B. Lectura de presiones

- Con el calefactor en funcionamiento, los manómetros deberían indicar las presiones especificadas en la placa de datos. Consulte la Fig. 27.
- ¿Las lecturas de los manómetros concuerdan con las que se especifican en la placa de datos? Si así fuera, entonces no se necesitan más verificaciones ni ajustes. Continúe con la sección C.
- Si las presiones de entrada no concuerdan con las que se especifican en la placa de datos, se deberá ajustar el regulador que controla la presión de gas del calefactor.

4. Si la presión de entrada es correcta, pero la presión del colector del quemador no concuerda con la que se especifica en la placa de datos, entonces se debe ajustar el regulador de presión interno de la válvula de control de gas. Consulte las siguientes instrucciones. Seré necesario abrir la caja del quemador y cerrarla/trabarla según sea necesario para configurar las presiones de control de gas.

- Si la presión del gas del colector es diferente a la placa de datos, retire el tapón del regulador de presión interno y ajuste el regulador de presión interno en sentido horario o antihorario. Consulte la Fig. 27.

FIG. 27.

C. Finalización

- Cierre las válvulas de suministro de combustible a los calefactores y permita que los calefactores quemen el combustible restante.
- Desconecte el calefactor de su suministro eléctrico.
- Quite los manómetros y el hardware asociado. Instale tacos en la válvula de control de gas y en el conector. Ajústelos en forma segura.
- Vuelva a conectar la manguera y el adaptador al colector de sedimentos. Ajústelos bien.
- Abra la válvula de suministro de combustible y vuelva a conectar el suministro eléctrico al calefactor. Encienda el calefactor y verifique si hay fugas de gas. Ajuste el termostato en la temperatura deseada.

Información de resolución de problemas

LEA TODA ESTA SECCIÓN ANTES DE COMENZAR A RESOLVER PROBLEMAS.



ADVERTENCIA

- Este calefactor puede encenderse en cualquier momento.
- Para resolver cualquier problema que presente este sistema, tal vez sea necesario hacer funcionar la unidad con voltaje de línea presente y el gas encendido. Proceda con extrema precaución al trabajar en el calefactor.
- Si no se cumple esta advertencia, se pueden ocasionar daños materiales, lesiones o la muerte.

La siguiente guía de resolución de problemas brinda procedimientos para el aislamiento de problemas del equipo. Esta guía está orientada a PERSONAS CALIFICADAS EN MANTENIMIENTO DE CALEFACTORES A GAS. **NO INTENTE REALIZAR EL MANTENIMIENTO DEL CALEFACTOR A MENOS QUE HAYA RECIBIDO LA CAPACITACIÓN ADECUADA.**

SE NECESITAN EQUIPOS DE PRUEBA

Se necesitarán los siguientes equipos de prueba para resolver cualquier problema que presente este sistema con el mínimo tiempo y esfuerzo.

- **Multímetro digital:** para medir voltajes y resistencias de CA.
- **Manómetro de presión:** para verificar las presiones de entrada y salida de la válvula de control de gas con respecto a los valores de la placa de datos.
- Inspeccione el equipo visualmente en busca de daños evidentes.
- Verifique todo el cableado en busca de conexiones sueltas e indicios de desgaste

Consulte la secuencia de operación del sistema que se incluye en esta sección para comprender cómo funciona el equipo durante una demanda de calor. Comprender la secuencia de operación del módulo de encendido y los componentes relacionados es fundamental, dado que se asocia directamente con los procedimientos de resolución de problemas suministrados en los diagramas de flujo.

El módulo de control de encendido incluye características de autodiagnóstico. La luz LED roja en la caja de quemadores destellará con un patrón específico de luz según el problema que se diagnostica. Para un uso eficaz de los diagramas de flujo, primero deberá identificar el tipo de problema sobre la base del patrón de destellos de la luz roja de diagnóstico.

Un destello de luz indica un problema.

El patrón de parpadeo será seguido de una pausa y luego la repetición del patrón de destellos, hasta que se corrija el problema. En las tablas siguientes, verá qué página debe consultar para la resolución de problemas.

Problemas	Página
Luz LED 'ON' no está encendida; calentador no está funcionando.....	27
Luz de diagnóstico LED está destellando:	
A. Destello rápido	28
B. Una destellos	28
C. Dos destellos	28
D. Tres destellos	29
E. Cuatro destellos	29
F. Cinco destellos	29

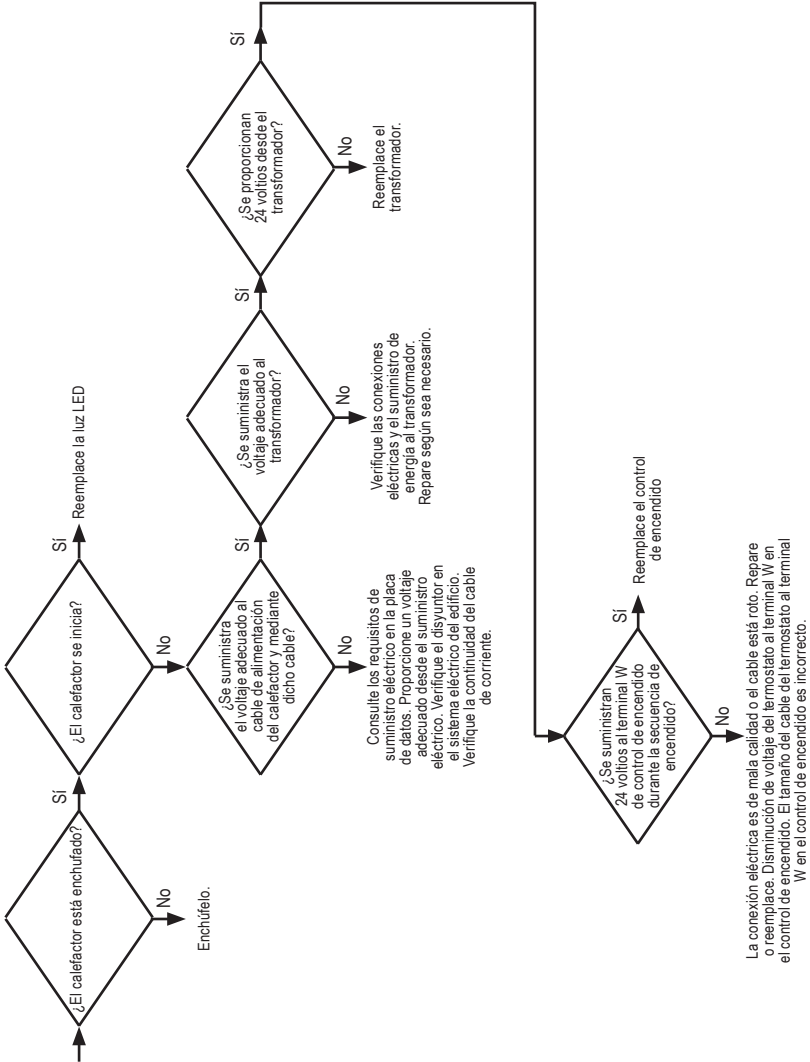
Los componentes deben reemplazarse solo luego de que cada paso se haya completado y se sugiera el reemplazo en el diagrama de flujo. Consulte las secciones sobre mantenimiento, según sea necesario, para obtener información sobre los procedimientos de desarmado y reemplazo del componente una vez identificado el problema a través del diagrama de flujo.

SECUENCIA DE FUNCIONAMIENTO DEL ENCENDIDO DIRECTO:

- Se envía voltaje de línea al control de encendido y al transformador.
- El transformador reduce el voltaje de línea a 24 voltios, que se envían al control de encendido.
- El módulo de control de encendido realiza una autoverificación de seguridad.
- Se prueban los componentes internos.
- Se verifica el circuito del interruptor de presión de aire.
- El módulo control de encendido comienza la secuencia de prueba de encendido.
- El módulo de control de encendido envía 24 voltios al interruptor de presión de aire.
- El control de encendido envía el voltaje de línea al motor.
 - El motor se enciende.
 - Se ilumina la luz verde.
- Los contactos del interruptor de presión de aire se cierran y se devuelven 24 voltios al módulo de control de encendido.
- El módulo de control de encendido envía alto voltaje al electrodo del encendedor.
 - El encendedor destella.
- El módulo de control de encendido envía 24 voltios a la válvula de control de gas.
 - La válvula de control de gas se abre.
- Se produce el encendido.
 - El encendedor continúa destellando por 4 segundos
 - La chispa de encendido se apaga.
- La válvula de gas permanece abierta.
- El ambiente se calienta hasta la temperatura deseada.
 - El termostato está abastecido.
 - Se apaga el calefactor.
- El proceso comienza nuevamente con una demanda de calor.

Problema

La luz LED no se enciende durante una demanda de calor. El calefactor no funciona.

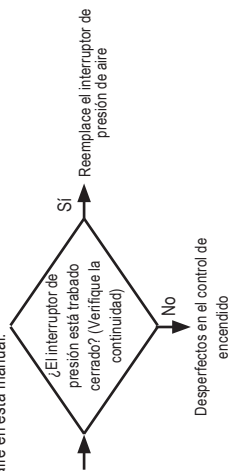


Luz LED roja destellando

Destello rápido → El calentador está en un bloqueo suave de 60 segundos. El bloqueo duro se producirá después de la tercera prueba, con 1 o 2 códigos de flash. Los contactos del interruptor de presión de aire se cierran antes de una llamada de calor o no se cierran después de que el motor arranque. Consulte las Instrucciones de servicio para el interruptor de presión de aire en está manual.

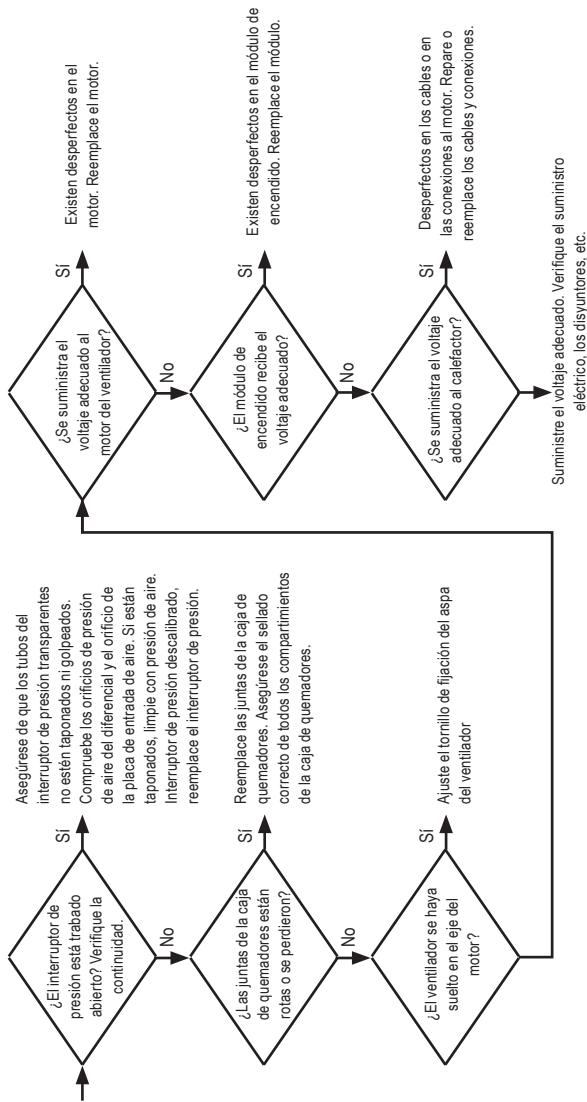
Un destello

Los contactos del interruptor de presión de aire diferencial se cierran antes del inicio del motor del ventilador.



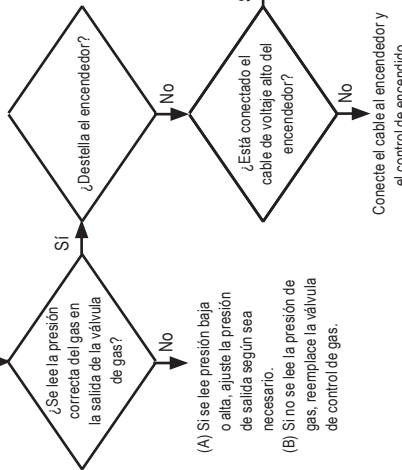
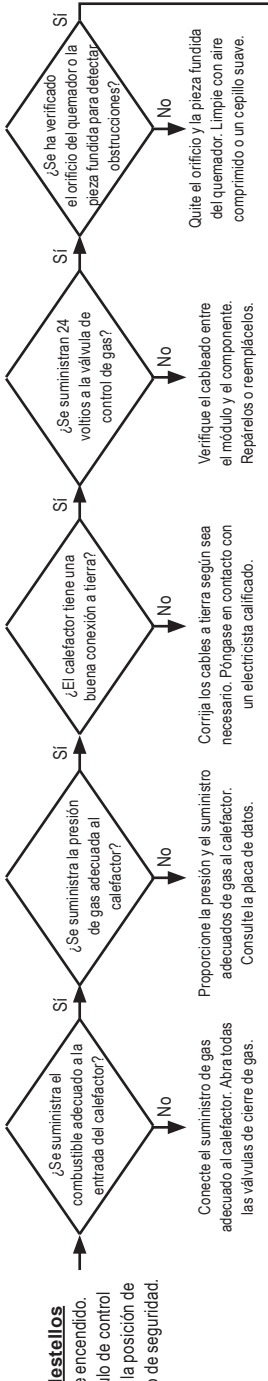
Dos destellos

Los contactos del interruptor de presión de aire diferencial no se cerraron. Indica que no hay comprobación de aire en una sección del ventilador del calefactor



Tres destellos

Error de encendido.
El módulo de control está en la posición de bloqueo de seguridad.



- (A) Si se lee la presión baja o alta, ajuste la presión de salida según sea necesario.
- (B) Si no se lee la presión de gas, reemplace la válvula de control de gas.

CIERRE EL SUMINISTRO DE GAS AL REALIZAR ESTAS PRUEBAS.

- Determine si el arrancador recibe voltaje alto. (Puede que sea necesaria la asistencia de otra persona)
- A.
 - Abra la caja de quemadores.
 - Desconecte el cable de encendido del control de encendido.
 - Coloque la punta del destornillador a aproximadamente 3/16 pulgadas del control de encendido donde se conectó el cable.
 - Encienda el calefactor
 - Cuando se inicia el motor del ventilador, eluda el interruptor de presión de aire.
 - Si no observa una chispa, reemplace el control de encendido.
- B.
 - Si se observa una chispa, vuelva a conectar el cable de encendido al control.
 - Desconecte el cable del arrancador.
 - Sostenga el destornillador a aproximadamente 3/16 pulgadas del conector del encendedor dentro de la boca.
 - Encienda el calefactor
 - Cuando se inicia el motor del ventilador, eluda el interruptor de presión de aire.
 - Si no observa una chispa, reemplace el cable de encendido.
 - Si observa una chispa, reemplace el cable de encendido.

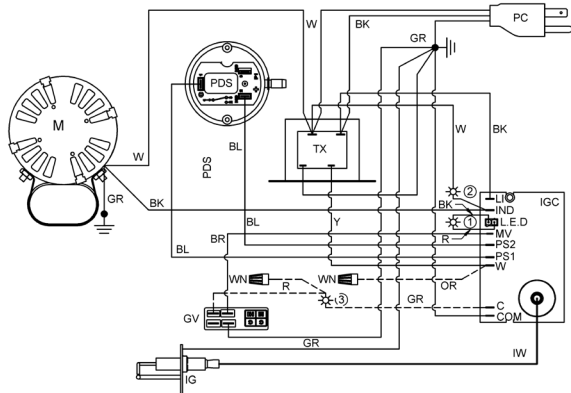
Cuatro destellos

Bloqueo de seguridad por demasiadas pérdidas de llamas

Cinco destellos

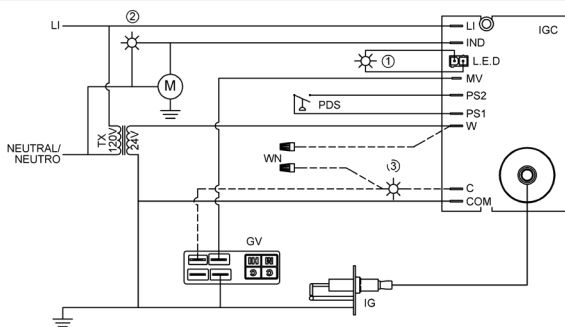
Si el módulo de control no se restablece, reemplácelo. (Falla del tablero interno). Si el módulo se repone, entonces pídale a un electricista calificado que verifique la fuente de energía para detectar problemas de calidad de la energía. (Frecuencia, ruido de línea eléctrica, picos de línea eléctrica, conexiones flojas, calibre del alambre inadecuado).

Conexión eléctrica y diagrama de escalera



ELECTRICAL CONNECTION DIAGRAM / DIAGRAMA DE CONEXIONES ELÉCTRICAS

- BK: Black/Negro
- BL: Blue/Azul
- BR: Brown/Marrón
- GR: Green/Verde
- OR: Orange/Naranja
- R: Red/Rojo
- W: White/Blanco
- GV: Gas Control Valve/Válvula De Control De Gas
- IG: Igniter/Encendedor
- IGC: Ignition Control/Control De Encendido
- IW: Ignition Wire/Cable De Encendido
- M: Motor/Motor
- PC: Power Cord/ Cordón De Potencia
- PDS: Pressure Differential Switch/ Interruptor Diferencial De Presión Neumática
- TX: Transformer/ Transformador
- WN: Wire Nut/ Tuerca De Terminal
- ⊥: Earth Ground/ Conexión Tierra
- - -: Two stage heaters only / Calefactores de etapa doble



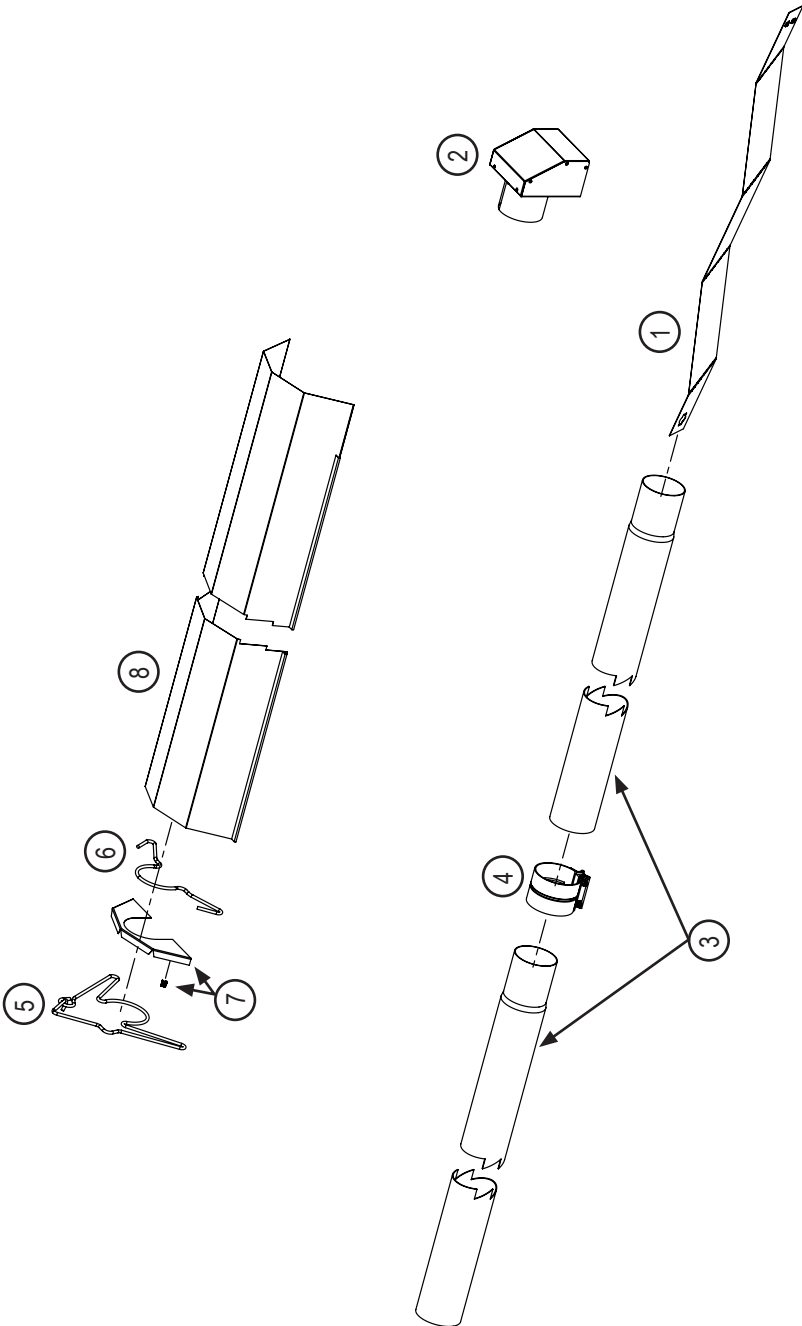
ELECTRICAL LADDER DIAGRAM / DIAGRAMA ELÉCTRICO DE ESCALERA

- ①: Status L.E.D. (Red)/LED De Estado(Rojo)
- ②: Green L.E.D.: Full heat (single stage heaters) / LED Verde: Calorifica máxima (Calefactores de etapa simple) / Low heat (two stage heaters) Potencia baja (Calefactores de etapa doble)
- ③: Green L.E.D.: High heat (two stage heaters) LED Verde: Potencia alta (Calefactores de etapa doble)

150-132736 REV.A

IF ANY OF THE ORIGINAL WIRES AS SUPPLIED WITH THE HEATER MUST BE REPLACED, IT MUST BE REPLACED WITH WIRING MATERIAL HAVING A TEMPERATURE RATING OF AT LEAST 302° F (150°C)./SI SE DEBE CAMBIAR CUALQUIER CABLE ORIGINAL PROPORCIONADO CON EL APARATO, SE DEBE CAMBIAR POR UN CABLE CON UNA CLASIFICACION DE TEMPERATURA DE AL MENOS 302 °F(150 °C)

Esquema de identificación de piezas de servicio: tubos y reflector



Lista de peizas - Tubo/Reflector

Ítem	Descripción	Número de pieza
1	Tira de turbulencia de aire	572892
2	Tapa de ventilación	573970
3	Tubo, calórica, de 4 in x 10 ft, con abrazadera	573011
	Tubo, acero inoxidable, 4 pulgadas x 10 pies, con abrazadera	573387
4	Abrazadera, redondo de 4 pulgadas	574225
5	Colgador, tubo redondo de 4 pulgadas, tubo de cerdo	573777
7	Tapa final con 4 clips en U, tubo porcino	574099
8	Reflector, calentador de tubo de 10 pies	574100

Lista de piezas - Caja de quemador

Ítem	Descripción		Número de pieza		
10	Pestillos y golpe		573775		
11	Luz LED roja		573769		
12	Luz LED verde		573770		
12**	**LED verde, temperatura alta ÚNICAMENTE de 2 etapas		-	574159	
13**	** Mazo de cables		574219		
14	Encendedor con soporte		574220		
15	Cable de encendido		572847		
16	Tubo, interruptor de presión de aire diferencial		572883		
17	Interruptor de presión de aire diferencial		574489	573682	
18	Control de encendido		573946		
19	Transformador		573697		
20	Junta, quemador		573006		
21	Válvula de control del gas	1-Etapa	GPL	573774	
			GN	573773	
		2-Etapa	GPL	-	574221
			GN	-	574222
22	Motor		572860		
23	Turbina		572864		
24	Cable de alimentación con conector		572865		
25	Manguera, 6 pies, 3/8 de DI con adaptador, rígido y basculante		550-21994		
26	Adaptador, 1/2 NPT x 5/8-18 UNF-2A		573804		
27*	Regulador, segunda etapa, GLP		500-06553		
	Regulador, segunda etapa, GN		500-24414		
	Regulador, segunda etapa, LPG o NG		500-21999		
28**	Conjunto de juntas completo para la caja de quemadores		572896	574223	

* Accesorio; se vende por separado

** No ilustrado

Política de garantía

CALEFACTOR

L.B. White Company, LLC garantiza que las piezas de su calefactor estarán libres de defectos en los materiales y la mano de obra cuando se instalen, se hagan funcionar y se sometan a mantenimiento apropiadamente conforme a las Instrucciones de instalación y mantenimiento, las guías de seguridad, y las etiquetas de cada unidad. Si dentro de los 12 meses a partir de la fecha de compra por parte del usuario final se encuentran defectos en algún componente, L.B. White Company, LLC según su criterio, reparará la pieza o el calefactor defectuosos o los reemplazará por una piezas o un calefactor nuevo, LAB (Onalaska, Wisconsin).

Al registrar su producto en línea con L.B. White habilitará automáticamente la garantía para una unidad y sus piezas. Si un producto no se registra en L.B. White, se requerirá una copia de la factura de venta a fin de establecer la calificación para la garantía. Si nada de lo anterior está disponible, el período de garantía será de 12 meses a partir de la fecha del envío por parte de L.B. White.

PIEZAS

L.B. White Company, LLC garantiza que las piezas de repuesto compradas a la empresa y usadas en el equipo apropiado de L.B. White adecuados están libres de defectos, tanto de materiales como de mano de obra, durante 12 meses a partir la fecha de compra por parte del usuario final. La garantía es automática si se encuentra que un componente está defectuoso dentro de los 12 meses del código de fecha marcado en la pieza. Si el defecto ocurre una vez transcurridos los 12 meses después del código de fecha, pero dentro de los 12 meses de la fecha de compra por el usuario final, se solicitará una copia de la factura de venta para que quede habilitada la garantía.

La garantía descrita arriba es la garantía exclusiva otorgada por L.B. White, y cualquier otra garantía, incluida cualquier garantía implícita o de comercio o idoneidad para un propósito en particular, queda expresamente denegada. En el caso de cualquier garantía implícita que no esté efectivamente denegada en el presente documento por efecto de la ley, tal garantía implícita está limitada en tiempo a la duración de la correspondiente garantía mencionada anteriormente. Los recursos establecidos arriba son los recursos exclusivos disponibles conforme al presente documento. L.B. White no será responsable por ninguno de los daños y perjuicios incidentales

o emergentes directa o indirectamente en relación con la venta, la manipulación o el uso del equipo. En todo caso, la responsabilidad de L.B. White con respecto al equipo, incluidos reclamos basados en negligencia o responsabilidad estricta, está limitada al precio de compra.

Algunos estados no permiten limitaciones respecto de la duración de una garantía implícita. Por lo tanto, la limitación de arriba podría no aplicarse a usted. Algunos estados no permiten la exclusión o limitación de daños y perjuicios incidentales o emergentes; por lo tanto, la limitación o exclusión de arriba podría no aplicarse a usted. Esta garantía le otorga derechos legales específicos, y usted también podría tener otros derechos que varían de un estado a otro.

Para registrar su producto y asegurarse de contar con la garantía completa, visite: http://www.lbwhite.com/customer_care_center/product-registration/. Por favor, tenga a mano el número o los números de serie y modelo de los productos que registrará.

Mantenimiento

Póngase en contacto con su distribuidor local de L.B. White para obtener repuestos y mantenimiento. También puede llamar a L.B. White Co., LLC. al 1-800-345-7200, para recibir ayuda, o enviar un correo electrónico a customerservice@lbwhite.com.

Cuando llame, asegúrese de contar con el número de modelo y el número de configuración.



PROVEEDOR DE SOLUCIONES CLIMÁTICAS INNOVADORAS

411 Mason Street, Onalaska, WI 54650

800-345-7200 • 608-783-5691

608-783-6115 (fax)

techsupport@lbwhite.com

www.lbwhite.com

150-133878 REV.A