

ASSEMBLY and INSTALLATION INSTRUCTIONS



VENT DOOR

View these instructions online at www.lbwhite.com

Preparation

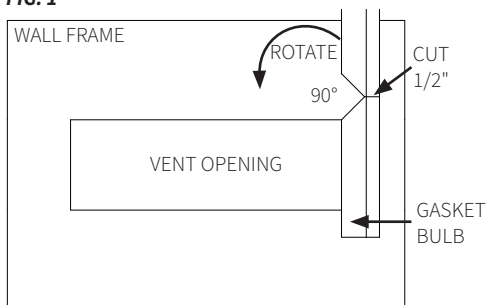
In order to assure proper performance and smooth functioning of the system the installer must understand the importance of quality construction and use of straight quality materials. Attention to details relating to sealing or prevention of air leaks is a must.

- Clean the wall frame surface around the vent door opening with a good cleaner, let it dry completely.
- Roll out the gasket to remove crimps, twist, or other deformations.

Installation

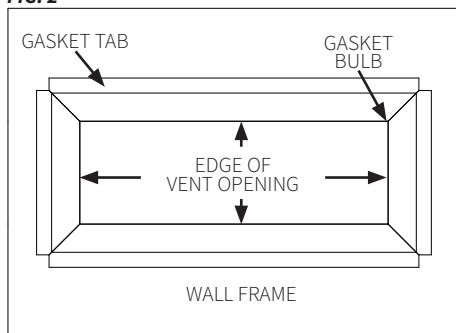
1. Start the gasket at one corner of the vent opening and work around the open. Using a fastener, attach the gasket to the edge of the wall frame (fastener not provided). **DO NOT STRETCH THE GASKET WHILE INSTALLING.**
2. At the corner of the fan opening, cut the bulb part of the gasket as shown in Fig. 1. Make a slit through the flat tab of the gasket. Leaving about 1/4" to be left as a hinge. **DO NOT CUT COMPLETELY ACROSS THE GASKET.**

FIG. 1



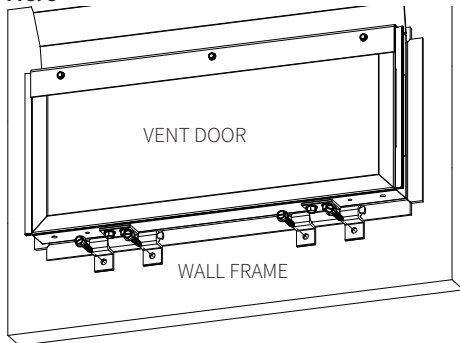
3. Rotate the gasket bulb so it lines up with the edge of the vent opening and repeat step 2. See Fig. 2.

FIG. 2



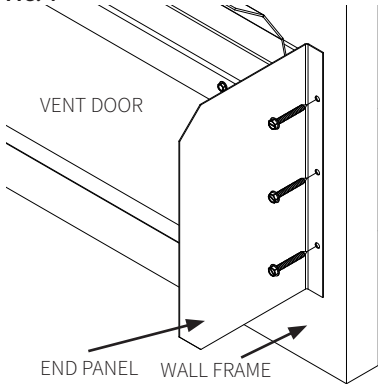
4. Fasten the vent door hinges to the frame. See Fig. 3.

FIG. 3



5. Close the vent door and check the gasket. Ensure the gasket seals the vent door completely.
6. With the door closed, fasten the end panel to the wall frame of each side of the vent door as shown in Fig. 4.

FIG. 4

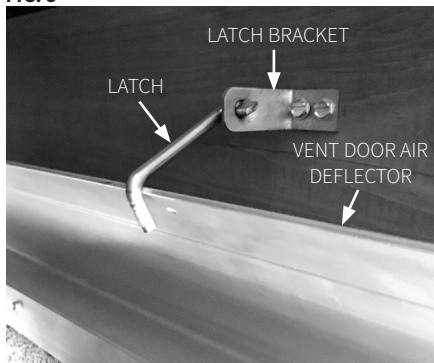


7. Install the optional latching mechanism (sold separately) to secure the door during non-operation time.

Installing Latch Kit (optional accessory)

1. Close the vent door and attach the latch to the air deflector.
2. Secure the latch bracket to the wall frame as shown in Fig. 5.

FIG. 5

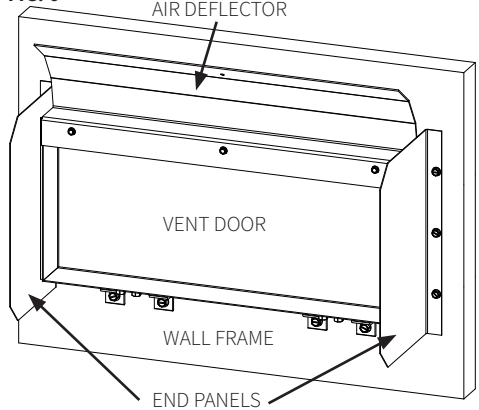


Completion

1. Check the operation of the vent door.
2. If a latch is installed, ensure it holds the vent door securely. See Fig. 5.

NOTE: Vent door can be incorporated with house pulley system or can be operated manually.

FIG. 6



150-132798 REV.A

Contact your local L.B. White dealer for further technical support and service.
You may also call L.B. White at 800-345-7200 or email us at customerservice@lbwhite.com.