



Guardian

Forced Air
Heater

AW060	60,000 Btuh
AW100	100,000 Btuh
AW250	250,000 Btuh
AW325	325,000 Btuh

LP Vapor Withdrawal or Natural Gas

View this manual online at www.lbwhite.com

Attention

This heater has been tested and evaluated by C.S.A. International in accordance with ANSI/IAS U.S. LC2-1998 as well as the Canadian Gas Association Standard for Gas Fired Brooders, CAN1-2.20-M85 and is listed and approved as a direct gas-fired circulating heater for the heating of agricultural animal confinement buildings. If you are considering using this product for any application other than its intended use, then please contact your fuel gas supplier, or the L.B. White Co., Inc.

www.lbwhite.com



Congratulations!

You have purchased the finest agricultural building heater available. Your new L.B. White heater incorporates the benefits from the most experienced manufacturer of heating products using state-of-the-art technology.

We, at L.B. White, thank you for your confidence in our products and welcome any suggestions or comments you may have... contact us at 1-(800)-345-7200, or email us at customerservice@lbwhite.com.

**SEE ASSEMBLY
INSTRUCTIONS
INSIDE**

**Please refer to important
elevation information on
inside cover.**



SCAN THIS
with your smartphone or
visit <http://goo.gl/nksqZ>
to view maintenance
videos for L.B.White heaters.*

* Requires an app like QR Droid for Android or for iPhone

WORLD PROVIDER - INNOVATIVE HEATING SOLUTIONS

411 Mason Street, Onalaska, WI 54650 • 800-345-7200 • 608-783-5691 • 608-783-6115 (fax) • www.lbwhite.com

TABLE OF CONTENTS

Heater Specifications.....	4
General Information.....	5
Safety Precautions.....	6
General Installation Instructions.....	9
Air Diverter Installation Instructions.....	11
Hanging Instructions.....	11
Sediment Trap Assembly.....	12
Manual Shut Off Valve, Hose & Regulator.....	12
Thermostats.....	13
Start-Up / Shut-Down Instructions.....	14
Variable Heat Output.....	15
Cleaning Instructions.....	16
Maintenance Instructions.....	17
Service Instructions.....	18
Motor and Fan Assembly.....	18
Air Proving Switch.....	19
Flapper.....	19
Ignitor.....	20
Flame Sensor.....	20
High Limit Switch.....	20
Transformer.....	21
Relay.....	21
Burner Orifice and Gas Control Valve.....	22
Ignition Control.....	22
Gas Pressure Checks.....	23
Troubleshooting Guide.....	25
Electrical Connection & Ladder Diagram (AW60/100/250).....	31
Electrical Connection & Ladder Diagram (AW325).....	32
Heater Component Function.....	33
Service Parts Identification Schematic & Parts List	
- AW060/100.....	34/35
- AW250.....	36/37
- AW325.....	38/39
Warranty Policy.....	40

WARNING

Standard products are manufactured to operate at optimum efficiency at elevations between 0 and 2000 ft. above sea level.

If operated at higher elevations the product will not function correctly and may function in an unsafe nature.

Products providing proper operation for alternate elevations may be available.

If you require a high elevation product, did not specify when ordering, and/or the box this unit came in does not have an alternate altitude designation sticker please contact technical support.

GENERAL HAZARD WARNING

Failure to comply with the precautions and instructions provided with this heater, can result in:

- Death
 - Serious bodily injury or burns
 - Property damage or loss from fire or explosion
 - Asphyxiation due to lack of adequate air supply or carbon monoxide poisoning
 - Electrical shock
 - Read this Owner's Manual before installing or using this heater.
 - Only properly-trained service people should repair or install this heater.
 - Save this Owner's Manual for future use and reference.
 - Owner's Manuals and replacement labels are available at no charge.
- For assistance, contact L.B. White at 800-345-7200.

WARNING

- Proper gas supply pressure must be provided to the inlet of the heater.
- Refer to data plate for proper gas supply pressure.
- Gas pressure in excess of the maximum inlet pressure specified at the heater inlet can cause fires or explosions.
- Fires or explosions can lead to serious injury, death, or building damage.
- Gas pressure below the minimum inlet pressure specified at the heater inlet may cause improper combustion.
- Improper combustion can lead to asphyxiation or carbon monoxide poisoning and therefore serious injury or death.

WARNING

Fire and Explosion Hazard

- Keep solid combustibles a safe distance away from the heater.
- Solid combustibles include wood, paper products, feathers, straw and dust.
- Do not use the heater in spaces which contain or may contain volatile or airborne combustibles, or flammable gases.
- Volatile or airborne combustibles and flammable gases include pit gases, gasoline, solvents, paint thinner, dust particles or unknown chemicals.
- Failure to follow these instructions may result in a fire or explosion.
- Fire or explosions can lead to property damage, personal injury or loss of life.

WARNING

Fire and Explosion Hazard

- Not for home or recreational vehicle use.
- Installation of this heater in a home or recreational vehicle may result in a fire or explosion.
- Fire or explosions can cause property damage or loss of life.

FOR YOUR SAFETY

Do not store or use gasoline or other flammable vapors and liquids in the vicinity of this or any other appliance.

FOR YOUR SAFETY

If you smell gas:

1. Open windows.
2. Don't touch electrical switches.
3. Extinguish any open flame.
4. Immediately call your gas supplier.

Specifications

			AW060	AW100	AW250	AW325
Maximum Input (btu/h)			60,000	100,000	250,000	325,000
Minimum input (btu/h)			30,000	50,000	160,000	200,000
Ventilation Air Required To Support combustion (cfm)			240	400	1050	1700
Gas Supply Pressure Acceptable at the Inlet of the Heater for the (Max.) purpose of Input Adjustment (in. W.C.)	LP Gas	Max.	13.5			
		Min.	11.0			
	Nat. Gas	Max.	13.5			
		Min.	7.0			
Burner Manifold Pressure (in. W.C.)	LP Gas	10.0				8.0
	Nat. Gas	4.0				3.5
Fuel Consumption Per Hour	LP Gas (lbs)	Max.	2.78	4.63	11.58	15.08
		Min.	1.39	2.32	7.41	9.28
	Nat. Gas (cu. ft.)	Max.	60	100	250	325
		Min.	30	50	160	200
Motor Characteristics	Ball Bearing					
	H.P.	1/15	1/8	1/3	1/2	
	RPM	1700	1100	1075	1100	
Electrical Supply (Volts/Hz/Phase)	120/60/1					240/60/1
Amp Draw (Includes Ignitor)	Starting	7.0	7.5	11.8	10.1	
	Continuous	1.1	1.4	4.5	3.6	
Dimensions (In.) (L x W x H)			21¼x14¼x18	29½x14¼x18	30¾x18¼x28¼	36x22x30
Minimum Safe Distances from Heater to Nearest Combustible Materials	Top	1 ft. (0.3 m)				
	Sides	1 ft. (0.3 m)				
	Back	1 ft. (0.3 m)				
	Blower Outlet	6 ft. (1.83 m)				
	Gas Supply	LP Gas - 6 ft. (1.83 m) Natural Gas: N/A				

General Information

This Owner's Manual includes accessories commonly used on this heater. These accessories must be ordered separately.

When calling for technical service assistance, or for other specific information, **always** have model number, configuration number and serial number available. This information is contained on the dataplate.

This manual will instruct you in the operation and care of your unit. Have your installer review this manual with you so that you fully understand the heater and how it functions.

Contact your local L.B. White distributor or the L.B. White Co., Inc. for assistance, or if you have any questions about the use of the equipment or its application.

The L.B. White Co., Inc. has a policy of continuous product improvement. It reserves the right to change specifications and design without notice.

Safety Precautions

WARNING

Asphyxiation Hazard

- Do not use this heater for heating human living quarters.
- Do not use in unventilated areas.
- The flow of combustion and ventilation air must not be obstructed.
- Proper ventilation air must be provided to support the combustion air requirements of the heater being used.
- Refer to the specification section of the Owner's Manual, heater's dataplate, or contact the LB White Company to determine combustion air ventilation requirements of the heater.
- Lack of proper ventilation air will lead to improper combustion.
- Improper combustion can lead to carbon monoxide poisoning in humans leading to serious injury or death. Symptoms of carbon monoxide poisoning can include headaches, dizziness and difficulty in breathing.
- Symptoms of improper combustion affecting livestock can be disease, lower feed conversion, or death.

Fuel Gas Odor

Propane gas and natural gas have man-made odorants added specifically for detection of fuel gas leaks. If a gas leak occurs, you should be able to smell the fuel gas .

THAT'S YOUR SIGNAL TO GO INTO IMMEDIATE ACTION!

- Do not take any action that could ignite the fuel gas. Do not operate any electrical switches. Do not pull any power supply or extension cords. Do not light matches or any other source of flame. Do not use your telephone.
- Get everyone out of the building and away from the area immediately.
- Close all fuel supply valves.
- Propane gas is heavier than air and may settle in low areas. When you have reason to suspect a propane leak, keep out of all low areas.
- Use your neighbor's phone and call your fuel gas-supplier and your fire department. Do not re-enter the building or area.
- Stay out of the building and away from the area until declared safe by the firefighters and your fuel gas supplier.
- **FINALLY**, let the fuel gas service person and the firefighters check for escaped gas. Have them air out the building and area before you return. Properly trained service people must repair the leak, check for further leakages, and then relight the heater for you.

Odor Fading - No Odor Detected

- Some people cannot smell well. Some people cannot smell the odor of the man-made chemical added to propane or natural gas. You must determine if you can smell the odorant in these fuel gases.
- Learn to recognize the odor of propane gas and natural gas. Local propane gas dealers and your local natural gas supplier (utility) will be more than happy to give you a "scratch and sniff" pamphlet. Use it to become familiar with the fuel gas odor.
- Smoking can decrease your ability to smell. Being around an odor for a period of time can affect your sensitivity to that particular odor. Odors present in animal confinement buildings can mask fuel gas odor.
- The odorant in propane gas and natural gas is colorless and the intensity of its odor can fade under some circumstances.
- If there is an underground leak, the movement of gas through the soil can filter the odorant.
- Propane gas odor may differ in intensity at different levels. Since propane gas is heavier than air, there may be more odor at lower levels.
- Always be sensitive to the slightest gas odor. If you continue to detect any gas odor, no matter how small, treat it as a serious leak. Immediately go into action as discussed previously.

Attention - Critical Points to Remember!

- Propane gas and natural gas have a distinctive odor. Learn to recognize these odors. (Reference “Fuel Gas Odor” and “Odor Fading” sections above.
 - If you have not been properly trained in repair and service of propane gas and natural gas fueled heaters, then do not attempt to light the heater, perform service or repairs, or make any adjustments to the heater on a propane gas or natural gas fuel system.
 - Even if you are not properly trained in the service and repair of radiant heaters, ALWAYS be consciously aware of the odors of propane gas and natural gas.
 - A periodic “sniff test” around the heater or at the heater’s joints; i.e. hose, connections, etc., is a good safety practice under any conditions. If you smell even a small amount of gas, CONTACT YOUR FUEL GAS SUPPLIER IMMEDIATELY. DO NOT WAIT!
1. Do not attempt to install, repair, or service this heater or the gas supply line unless you have continuing expert training and knowledge of gas heaters.

QUALIFICATIONS FOR SERVICING AND INSTALLATION:

- a. To be a qualified gas heater service person, you must have been trained in gas-fired heater servicing, repair and also have sufficient experience to allow you to troubleshoot, replace defective parts, and test heaters in order to get them into a continuing safe and normal operation condition. You must completely familiarize yourself with each model heater by reading and complying with the safety instructions, labels, owner’s manual, etc. that are provided with each heater.
 - b. To be a qualified gas installation person, you must have sufficient training and experience to handle all aspects of installing, repairing, and altering gas lines, including selecting and installing the proper equipment, and selecting proper pipe size to be used. This must be done in accordance with all local, state and national codes as well as the manufacturer’s requirements.
2. All installations or applications of L. B. White Co., Inc.’s heaters shall meet the requirements of local, state and national L.P. gas and natural gas, electrical and safety codes. Your gas supplier, local licensed electrician, local fire department and government agencies can help you determine these requirements. In the absence of local codes, comply with the following:
 - a. Installations in the U.S.A.:
 - ANSI/NFPA 58, latest edition, Standard for Storage and Handling of Liquefied Petroleum Gas and/or
 - ANSI Z223.1/NFPA 54, National Fuel Gas Code
 - ANSI/NFPA 70, National Electrical Code.
 - b. Installations in Canada:
 - CAN1-B149.1 or CAN1-B149.2 Installation Codes
 - CSA C22.1 Part 1 Standard Canadian Electrical Code. CSA C22.2 No.3, Electrical Features of Fuel Burning Equipment.
 3. Do not move, handle, or service the heater while in operation or connected to a power or fuel supply.
 4. This heater may be installed in areas subject to wash down. This heater may only be washed on the external case assembly—see Cleaning Instructions. Do not wash the interior of the heater. Use only compressed air, soft brush or dry cloth to clean the interior of the heater and it’s components. After external wash down, do not operate this heater until it is completely dry. In any event, do not operate the heater for at least one hour after external wash down.
 5. For safety, this heater is equipped with a manual reset high-limit switch and an air proving switch. Never operate this heater with any safety device that has been bypassed. Do not operate this heater unless these features are fully functioning.
 6. Do not operate the heater with its door open or panel removed.
 7. Do not locate fuel gas containers or fuel supply hoses within 20 ft. of the blower outlet of the heater.
 8. Do not block air intakes or discharge outlets of the heater. Doing so may cause improper combustion or damage to heater components leading to property damage or animal loss.

9. The hose assembly shall be visually inspected on an annual basis. If it is evident there is excessive abrasion or wear, or if the hose is cut, it must be replaced prior to the heater being put into operation. The hose assembly shall be protected from animals, building materials, and contact with hot surfaces during use. The hose assembly shall be that specified by the manufacturer. See parts list.
10. Check for gas leaks and proper function upon heater installation, before building repopulation or when relocating.
11. This heater should be inspected for proper operation by a qualified service person before building repopulation and at least annually.
12. Always turn off the gas supply to the heater if the heater is not going to be used in the heating of livestock.
13. This heater is wired with a ground connection for your protection against electrical shock hazard. It may or may not be equipped with a three-prong (grounding) plug. Regardless of heater model, the heater must be connected directly to a properly wired and grounded electrical supply. Failure to use a properly grounded electrical supply can result in electrical shock, personal injury, or death.
14. Direct ignition heaters will make up to three trials for ignition. If ignition is not achieved, the control system will lock out the gas control valve. If gas is smelled after system lock out has occurred, immediately close all fuel supply valves. Do not relight until you are sure that all gas that may have accumulated has cleared away. In any event, do not relight for at least 5 minutes.
15. In a hanging type installation, rigid pipe or copper tubing coupled directly to the heater may cause gas leaks during movement, and therefore must not be used. Use only gas hose assemblies that are rated and approved for L.P. gas and natural gas in a hanging type of installation.
16. Installations not using the gas hose supplied with this appliance must connect dimensionally using American National Standard Wrought Steel and Wrought Iron Pipe B36/10-1970. (Aluminum piping or tubing shall not be used.) Copper tubing when used for conveying natural gas, shall be internally tinned or equivalently treated to resist sulphur.

General Installation Instructions



WARNING

Burn Hazard

Can cause property damage, severe injury or death.

1. Disconnect the power supply before wiring to prevent electrical shock or equipment damage.
2. To avoid dangerous accumulation of fuel gas, turn off gas supply at the appliance service valve before starting installation, and perform gas leak test after completion of installation.
3. Do not force the gas control knob. Use only your hand to turn the gas control knob. Never use any tools. If the knob will not operate by hand, the control should be replaced by a qualified service technician. Force or attempted repair may result in fire or explosion.

1. Read all safety precautions and follow L. B. White recommendations when installing this heater. If during the installation or relocating of heater, you suspect that a part is damaged or defective, call a qualified service agency for repair or replacement.
2. Make sure the heater is properly positioned before use and is hung level. Observe and obey all minimum safe distances of the heater to the nearest combustible materials. Minimum safe distances are given on the heater nameplate and on page 4 of this manual.
3. The heater may be used installed indoors or outdoors. When the heater is installed outdoors, use only the ductwork supplied in the outdoor mounting kit.
4. For heaters intended for outdoor installation, the heater is to be installed at least 18 inches above the ground or to a height that would prevent snow blockage of heater's air inlet.
5. The heater must have the proper gas regulator installed for the application. A regulator must be connected to the gas supply so that gas pressure at the inlet to the gas valve is regulated within the range specified on the dataplate at all times. Contact your gas supplier, or the L.B. White Co., Inc. if you have any questions.

6. The heater's gas regulator (with pressure relief valve) should be installed outside of building. Any

regulators inside the buildings must be properly vented to the outside. Local, state and national codes always apply to regulator installation.

7. All gas pressure regulators must be installed in strict accordance with the manufacturer's safety instructions. These instructions accompany each regulator.
8. Ensure that all accessories that ship with the heater have been installed. This pertains to air diverters, hose, regulators, etc.
9. Make certain that a sediment trap is installed at the gas inlet to prevent foreign materials (pipe compound, pipe chips and scale) from entering the gas valve. Debris blown into the gas valve may cause that valve to malfunction resulting in a serious gas leak that could result in a possible fire or explosion causing loss of products, building or even life. A properly installed sediment trap will keep foreign materials from entering the gas valve and protect the safe functioning of that important safety component.
10. Any heater connected to a piping system must have an accessible, approved manual shut off valve installed within six feet (6 ft.) of the heater.
11. Check all connections for gas leaks. Gas leak testing is performed as follows:
 - Check all pipe connections, hose connections, fittings and adapters upstream of the gas control with approved gas leak detectors.



WARNING

Fire and Explosion Hazard

- Do not use open flame (matches, torches, candles, etc.) in checking for gas leaks.
- Use only approved leak detectors.
- Failure to follow this warning can lead to fires or explosions.
- Fires or explosions can lead to property damage, personal injury or loss of life.

- In the event a gas leak is detected, check the components involved for cleanliness and proper application of pipe compound before further tightening.

- Further tighten the gas connections as necessary to stop the leak.
 - After all connections are checked and any leaks are stopped, turn on the main burner.
 - Stand clear while the main burner ignites to prevent injury caused from hidden leaks that could cause flashback.
 - With the main burner in operation, check all connections, hose connections, fittings and joints as well as the gas control valve inlet and outlet connections with approved gas leak detectors.
 - If a leak is detected, check the components involved for cleanliness in the thread areas and proper application of pipe compound before further tightening.
 - Tighten the gas connection as necessary to stop the leak.
 - If necessary, replace the parts or components involved if the leak cannot be stopped.
 - Ensure all gas leaks have been identified and repaired before proceeding.
12. A qualified service agency must check for proper operating gas pressure upon installation of the heater.
 13. Light according to instructions on heater or within owner's manual.
 14. It is extremely important to use the proper size and type of gas supply line to assure proper functioning of the heater. Contact your fuel gas supplier for proper line sizing and installation.
 15. This heater can be configured for use with either L.P. gas vapor withdrawal or natural gas. Consult the dataplate, located on interior of the burner end or motor end door, for the gas configuration of the specific heater. Do not use the heater in an L.P. gas liquid withdrawal system or application. If you are in doubt, contact the L.B. White Co., Inc.
 16. Eventually, like all electrical/mechanical devices, the thermostat can fail. Thermostat failure may result in either an underheating or overheating condition which may damage critical products and/or cause animal injury or death. Critical products and/or animals should be protected by a separate back-up control system that limits high and low temperatures and also activates appropriate alarms.
 17. Take time to understand how to operate and maintain the heater by using this Owner's Manual. Make sure you know how to shut off the gas supply to the building and also to the individual heater. Contact your fuel gas supplier if you have any questions.
 18. Any defects found in performing any of the service or maintenance procedures must be eliminated and defective parts replaced immediately. The heater must be retested by properly qualified service personnel before placing the heater back into use.
 19. Do not exceed input rating stamped on the dataplate of the heater. Do not exceed the burner manifold pressure stated on the dataplate. Do not use an orifice size different than specified for the specific input rating of this heater, fuel type configuration and altitude.

Air Diverter Installation Instructions

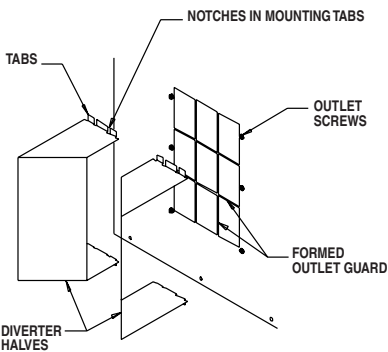
(Must be ordered separately)

(Appearance of the outlet on heater may vary from model to model.)

1. Air diverters can be installed in the heater outlet to provide direction to the heated air as it exits the heater. Installation options include installing the diverters in such a way as to broadly distribute the air in two 45 degree paths or to focus the air flow in one 45 degree direction. See Fig. 1.
2. The air diverters may require hand forming prior to installation. Make 90 degree bends utilizing the perforations provided. Diverter should then have the shape shown in Fig. 1.
3. The air diverter's tabs on each half will pop into the blower outlet between the inside of the case assembly and the blower housing outlet. If the notched tabs do not pop into the blower outlet, loosen (do not remove) the blower outlet screws. Doing this provides a gap into which you can insert the tabs. Retighten the screws after installation.

FIG. 1

(Typical installation allowing two directions of air movement.)



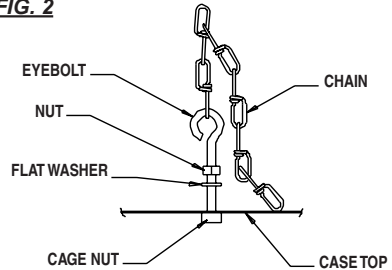
Alternate Air Diverter Installations



Hanging Instructions

1. Assemble eyebolts & chain according to Fig. 2. Tighten hardware securely. **Eyebolts & chain must be ordered separately.**

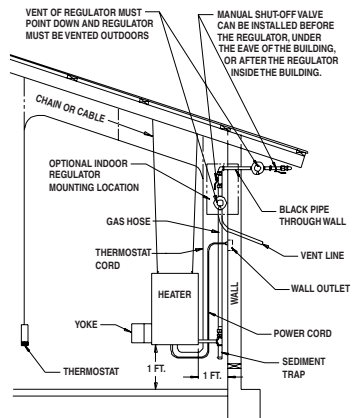
FIG. 2



2. Be sure heater is securely fastened and is hanging level. (Check crosswise and lengthwise.)
3. See Fig. 3 for typical indoor installation. In any animal confinement building, consideration must be given to making sure the heater is located away from the livestock so that livestock cannot knock the heater, tear it loose from its mounting, or damage the heater or its gas supply line in any way. Make sure you observe and obey minimum clearance distances to combustible materials as stated in the specification section of this owner's manual and on the heater itself.

FIG. 3

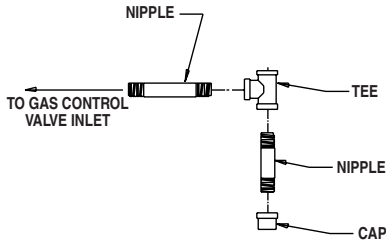
NOTE: REGULATORS SHOULD ALWAYS BE MOUNTED OUTDOORS. IF CIRCUMSTANCES FORCE INSTALLING THE REGULATOR INDOORS, THE REGULATOR'S VENT MUST BE VENTED OUTDOORS USING VENT LINE NO SMALLER THAN VENT OPENING.



Sediment Trap Assembly

Assemble the tee, nipples and cap together and tighten securely. See Fig. 4. The sediment trap assembly must always be mounted in a vertical position. Make sure pipe thread compound that is resistant to both L.P. gas and natural gas is used in making all connections. Check all connections for gas leaks using approved gas leak detectors.

FIG. 4



Manual Shut-off Valve, Hose & Regular Assembly

(Must be ordered separately)

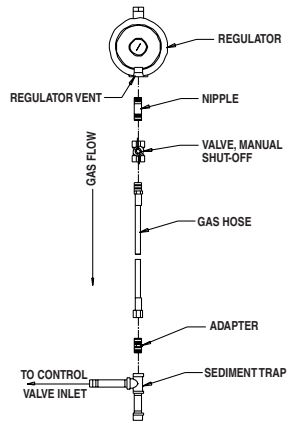
1. Always use approved pipe thread compound suitable for use with L.P. gas or natural gas on the threaded connections.
2. Assemble the components together according to Fig. 5. This view is to show general assembly of the components only. The regulator must always be mounted so its vent, regardless of location on the regulator, is always pointed downward.

Note: Regulators located in doors should be vented back to outdoors. Refer to NFPA54, National Fuel Gas Code Handbook, CAN-B1491, CAN-B149,2, & local codes as appropriate.

3. Tighten all connections securely.

4. Check all connections for gas leaks using approved gas leak detectors.

FIG. 5



Thermostats

(Must be ordered separately)



WARNING

Electrical Shock Hazard

- Disconnect the electrical supply before connecting the thermostat to the heater.
- Failure to follow this warning can result in electrical shock, leading to personal injury or death.

1. To Connect the Series Tap Plug

Thermostat Kit: (AW060/100/250 ONLY)

- a. Connect the power cord of the heater to the female side of the plug on the end of the kit's thermostat cord.
- b. Plug the male side of the series tap plug on the kit's thermostat cord into a three-wire (grounded) electrical outlet.

2. To Connect the Direct Wired

Thermostat Kit to the Control Box on the Heater:

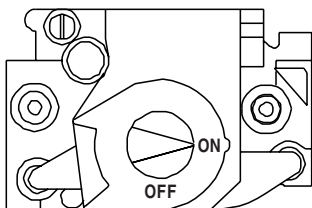
- a. Open the control box.
- b. Remove the yellow wire connected between the 24 volt output of the transformer and terminal W of the ignition control.
- c. Remove the plastic hole plug at the back or bottom of the control box. Run the wiring of the thermostat kit through this hole.
- d. Connect the black lead of the thermostat kit to the 24 volt output terminal of the transformer.
- e. Connect the white lead of the thermostat kit to terminal W of the ignition control.
- f. Install the strain relief (supplied on thermostat cordset) around the cord at the entry hole of the control box.
- g. Close and latch the control box.
- h. Start the heater and check for proper operation.

Start-Up Instructions

Follow steps 1 - 6 on initial start-up after heater installation by a qualified gas heater service person. For normal start-up, simply turn thermostat above room temperature. The heater will start.

1. Open all manual fuel supply valves and check for gas leaks using approved leak detectors. The gas control valve on the heater has a manual shut-off feature incorporated into the valve assembly and may be located under a metal cover. Remove the metal cover (if applicable) and make sure the indicator on the valve is turned to the ON position. Replace the metal cover. See Fig. 6.

FIG. 6



2. Connect the electrical cord to an approved electrical outlet.
3. Set the thermostat to desired room temperature.
4. This heater includes a hot surface ignition (HSI) control module for purposes of controlling the timing of the ignition process of the heater as well as monitoring of the safety functions. The HSI module is contained within the control enclosure.

On the HSI module is a red light emitting diode (LED). This LED indicates the status of the heater. The LED is visible external of the control enclosure through the plastic eye.

A constant light from the LED is an indicator that the heater is functioning correctly. Any flash pattern by the LED is indicative that there is a problem in the operation of the heater.

Refer to the troubleshooting decal on the access panel at the fan motor end of the heater for assistance in troubleshooting. Only qualified and properly trained personnel shall service or repair the heater.

5. On a call for heat, the motor will start up and run for five (5) seconds and then stop. This pre-purge is a safety feature and a normal operational characteristic prior to ignition taking place. After the motor has stopped, the igniter will heat up (approximately 17 seconds). After igniter warm up time has been achieved, the motor will start again and shortly thereafter ignition will occur.

NOTE: It is normal for air to be trapped in the gas hose on new installations. The heater may attempt more than one trial for ignition before the air is finally purged from the line and ignition takes place.

6. The HSI control will make up to three trials for ignition. Each trial for ignition will take approximately 20 seconds. The first two trials for ignition will occur within 40 seconds if ignition is not achieved. A 15 minute wait period will then begin after the second trial for ignition has taken place. After the 15 minute time span has elapsed, the third and final trial for ignition will take place. If ignition is not achieved at this final trial, the system will lock out, and a three flash pattern will be indicated by the LED.

Shut-Down Instructions

If the heater is to be shut-down for cleaning, maintenance or repair, follow steps 1-4. Otherwise, simply turn thermostat to OFF or no heat for standard shut down.

1. Close all manual fuel supply valves.
2. With the heater lit, allow heater to burn off excess fuel in gas supply hose.
3. Position thermostat to OFF or no heat position.
4. Disconnect the heater from the electrical supply.

Variable Heat Output

1. Some models of propane (LP) gas or natural gas heaters have a throttle valve for varying heat output located between the gas control output valve and gas manifold assemblies. See Fig. 7. **THIS IS NOT A MANUAL GAS SHUT OFF VALVE.**
2. The throttle valve can be adjusted to deliver either minimum heat or maximum heat. When the throttle valve handle is parallel to the gas flow, the valve is completely open to deliver maximum heat output. The throttle valve may be adjusted to minimum heat output by turning the handle 90° to gas flow or any position between maximum and minimum settings. See Fig. 8).

FIG. 7

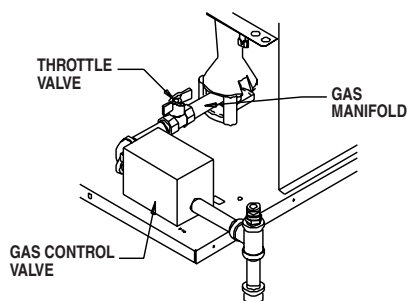
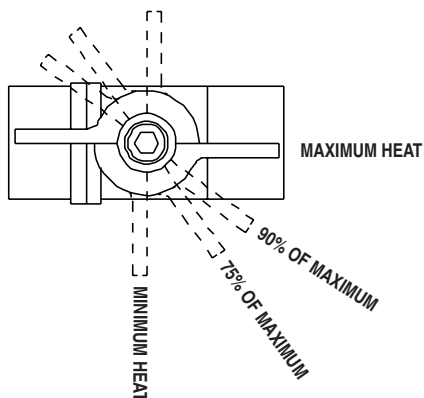


FIG. 8



Cleaning Instructions



WARNING

Fire, Burn, and Explosion Hazard

- This heater contains electrical and mechanical components in the gas management, safety and airflow systems.
- Such components may become inoperative or fail due to dust, dirt, wear, aging, or the corrosive atmosphere of an animal confinement building.
- Periodic cleaning and inspection as well as proper maintenance are essential to avoid serious injury or property damage.

1. Before cleaning, close fuel supply valve to heater and disconnect electrical supply.
2. The heater should have dirt or dust removed periodically:
 - a. After each flock or between building re-population, give the heater a general cleaning using compressed air or a soft brush on its interior and exterior. At this time, dust off the motor case to prevent the motor from over-heating and shutting the heater down.
 - b. At least once a year, give the heater a thorough cleaning. At this time, remove the fan and motor assembly and brush or blow off the fan wheel, giving attention to the individual fan blades. Additionally, make sure the burner air inlet venturi ports and the throat of the casting are free of dust accumulation and the area between the heat chamber top and inside case is also free of dust.
 - c. When washing with water, observe and obey the Warning within these Cleaning Instructions. This same Warning is also supplied on the heater.



WARNING

This heater may be washed only on the external case assembly provided:

- A. The heater is disconnected from the electrical supply.
- B. All access panels are securely closed.
- C. Water spray nozzle shall not discharge within 6 feet of the heater.
- D. The water pressure does not exceed 45 PSIG for 10 seconds on each side of heater.
- E. The heater is not reconnected to electrical supply for a minimum of 1 hour or until the heater is thoroughly dry.

Improper cleaning of the heater can cause severe personal injury or property damage due to water and/or cleaning solution:

1. In electrical components, connections and wires causing electrical shock or component failure.
2. On gas control components causing corrosion which can result in gas leaks and fire or explosion from the leak.

Clean internal components of the heater with a soft, dry brush or cloth, or compressed air.

Maintenance Instructions

1. Have your gas supplier check all gas piping annually for leaks or restrictions in gas lines. Also, at this time have your gas supplier clean out the sediment trap of any debris that may have accumulated.
2. The heater's surrounding area shall be kept clear and free from combustible materials, gasoline, and other flammable vapors and liquids.
3. Regulators can wear out and function improperly. Have your gas supplier check the date codes on all regulators installed and check delivery pressures to the appliance to make sure that the regulator is reliable.
4. Regulators must be periodically inspected to make sure the regulator vents are not blocked. Debris, insects, insect nests, snow, or ice on a regulator can block vents and cause excess pressure at the appliance.
5. Review all heater markings (ie. warnings, start-up/shutdown, electrical wiring, diagrams, etc.) for legibility. Ensure that none are cut, torn, or otherwise damaged. Any damaged markings must be replaced immediately by contacting L.B. White Co., Inc. Markings are available at no cost.
6. Inspect gas hoses for nicks, cuts, or corroded fittings. **Replace the complete gas hose assembly if defects are found.**
7. Inspect the heater's electrical connections. Replace any terminals that are corroded.

Service Instructions

! WARNING Burn Hazard

- Heater surfaces are hot for a period of time after the heater has been shut down.
- Allow the heater to cool before performing service, maintenance, or cleaning.
- Failure to follow this warning will result in burns causing injury.

! WARNING Fire and Explosion Hazard

- Do not disassemble or attempt to repair any heater components or gas train components such as gas valves, or gas hoses.
- All component parts must be replaced if defects are found.
- Failure to follow this warning will result in fire or explosions, causing property damage, injury, or death.

1. Close the fuel supply valve to the heater and disconnect the electrical supply before servicing unless necessary for your service procedure.

2. Clean the heater's orifice with compressed air or a soft, dry rag. Do not use files, drills, broaches, etc. to clean the orifice hole. Doing so will enlarge the hole, causing combustion or ignition problems. Replace the orifice if it cannot be cleaned properly.

3. The high limit switch can be tested by:

- Disconnecting the leads at the component, and jumpering the leads together.:
- Reconnect the electrical supply and open fuel supply valves.
- If the heater lights, the component is defective and must be replaced.
- Do not leave the jumper on or operate the heater if the part is defective. Replace the part immediately.
- An alternate method for checking the components is to perform a continuity check.

4. The air proving switch must not be jumpered. If jumpered, the ignition control will not allow heater operation. Test the air proving switch for continuity. If defective, replace the switch.

5. Open the respective case panel for access to burner or fan related components. Open the control box for access to the ignition controller, and transformer.

6. Disconnect the appropriate electrical leads when replacing components.

7. For reassembly, reverse the respective service procedure. Ensure gas connections are tightened securely.

8. After servicing, start the heater to ensure proper operation and check for gas leaks.

Motor & Fan Assembly

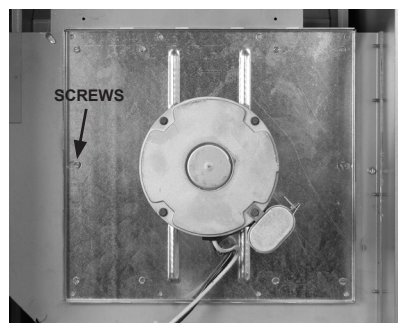
1. Remove the motor mounting plate screws and lift the fan and motor assembly from the housing. See Fig. 9. (AW250 shown)

2. Loosen the square head set screw(s) on the fan wheel.

3. Pull the fan wheel from the motor shaft. Use a wheel puller if necessary.

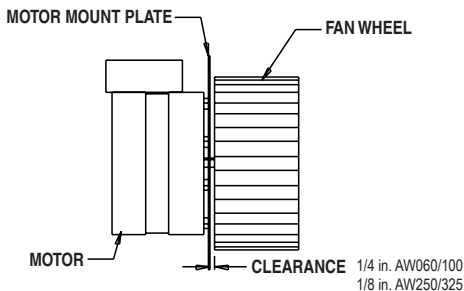
4. Remove the four (4) nuts securing the motor to the mounting plate.

FIG. 9



NOTES:

- Fan wheel to motor mount plate spacing must be adjusted to the clearance specified below before tightening the fan wheel to the motor shaft. See Fig. 10.
- Make sure that set screw(s) of the fan are on the flats of motor shaft when tightening.

FIG. 10

Air Proving Switch

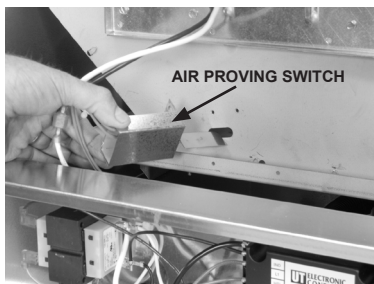
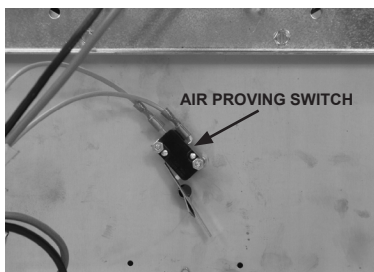
The air proving switch is located on the fan housing at the motor end of the heater. It must work properly to allow an ignition cycle. If the air proving switch contacts are closed before the ignition control starts the fan motor, or do not close on a call for heat after the fan motor starts, ignition will not occur.

AW060/100/250 (Fig. 11a):

- Remove the two (2) sheet metal screws holding the switch with bracket to blower housing.
- Remove the assembly by turning the switch so the paddle on the switch arm can be pulled through the oblong hole on side of fan housing.

AW325 (Fig. 11b):

- Remove mounting nuts and slide the switch from the mounting screws.

FIG. 11 a.**FIG. 11 b.**

Flapper (Sail) (AW325)

The flapper, located within the housing at the blower discharge, works in conjunction with the air proving switch in proving that proper air flow has been achieved by the fan and motor before allowing an ignition cycle to continue. See Fig. 12.

If the flapper is binding, its arm will not engage the air proving switch and ignition will not occur.

Ensure the flapper lifts freely, that it does not bind on the fan housing and that it is free of dust and other debris.

FIG. 12

Igniter

1. See Fig. 13 for disassembly.
2. When reassembling, snug in the igniter mounting screw. (Do not overtighten).

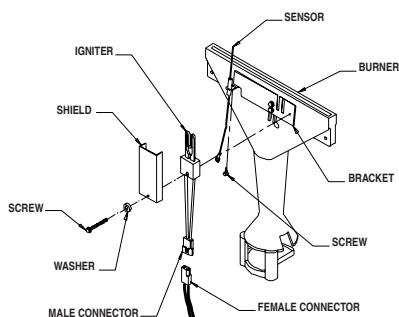
Testing

-- Perform an ohm check across the igniter leads of a cold igniter. Ohm readings will vary somewhat, but generally will be in the 40-70 ohm range. A reading showing overload or infinite resistance indicates a defective igniter.

Flame Sensor

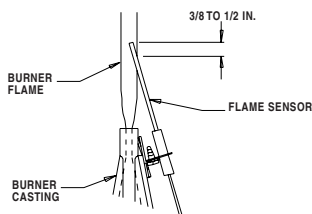
1. Remove the sensor from its mounting bracket. See Fig.13. Clean the sensor rod with steel wool or emery cloth. Rub briskly to remove build up of dust, dirt and oxide.

FIG. 13



2. Check the flame sensor's insulator base for cracks. If cracks are found, replace the sensor.
3. Position the flame sensor as shown in Fig. 14.

FIG. 14



High Limit Switch

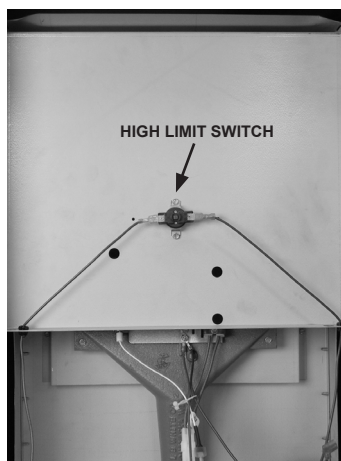
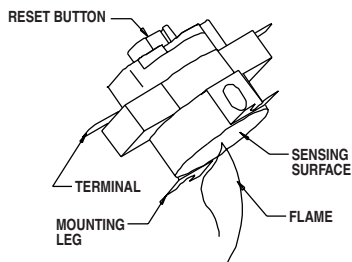
WARNING Burn Hazard

- Do not operate the heater with the high limit switch bypassed.
- Operating the heater a bypass high limit switch may lead to overheating, possibly resulting in a fire, with subsequent damage to the heater, building damage, or loss of livestock.

This heater uses a high limit heat switch for the purpose of over heat protection. The high limit switch is located on the heat chamber, see Fig.15. It is connected between the ignition control and the gas control valve.

The switch has normally closed contacts. If an overheat condition occurs, the switch contacts will open, thereby opening the circuit to the gas control valve. The high limit switch should be tested a minimum of once per year when the heater is given a thorough cleaning.

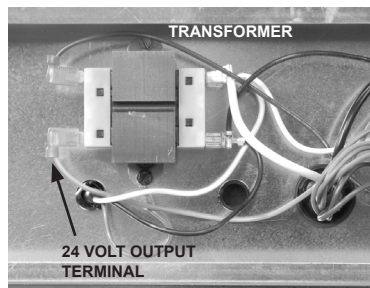
1. Remove the switch. Holding the switch by one of its mounting legs, apply a small flame only to the sensing portion on the back of the switch. See Fig.16. Do not melt the plastic housing of the switch when conducting this test.
2. Within a minute, you should hear a pop coming from the switch, which indicates the contacts of the switch have opened. Check for lack of electrical continuity across the switch terminals to verify contacts have opened.

FIG. 15**FIG. 16**

Transformer

The transformer receives 120 volts and reduces it to 24 volts. The 24 volts is supplied to the ignition controller to start the ignition process. See Fig. 17.

-- If 24 volts is not supplied from the transformer to the ignition controller, the heater will not operate.

FIG. 17

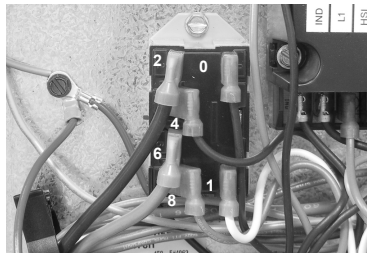
Relay (AW325)

The relay is responsible for supply of power to the motor, and has numbers adjacent to its male terminals for reference of voltage received and supplied for troubleshooting.

Refer to Fig. 18 and the following table for connection of wiring and voltage checks.

Terminal	Function
2	115 volts from relay to motor
4	115 volts to relay from power supply
6	115 volts from relay to motor
8	115 volts to relay from power supply
0	115 volts from ignition controller to relay for relay coil closure
1	Neutral for relay

If the relay is receiving 115 volts at terminal 0 from the ignition control, along with incoming power supply voltage on terminals 4 and 8, but voltage is not supplied to the motor from terminals 2 and 6, the relay is defective.

FIG. 18

Burner Orifice and Gas Control Valve

- Remove the following:
 - Hose and sediment trap from heater.
 - Plastic bushing at gas inlet hole (if applicable). See Fig. 19.
 - Screws from bracket at inlet of gas control valve. See Fig. 19.
 - Burner retaining bolt from underside of base. See Fig. 20.
- Pivot the valve/manifold assembly as necessary so orifice on manifold clears the burner casting venturi port. See Fig. 21.

FIG. 19

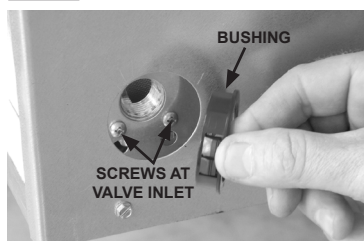


FIG. 20



FIG. 21



Ignition Control

The control sends and receives voltages to operate or verify operation of components. Refer to the following and Fig. 22 to understand the ignition control's terminal designations if doing voltage checks on the control.

IND: 115 VAC from control to motor

L1: 115 VAC power supply to control

HSI: 115 VAC from control to hot surface igniter

HSIG: Neutral return of igniter

L2: Neutral of control

W: 24 VAC input from transformer (without this voltage the ignition control will not function)

PSI: 24 VAC from control to air proving switch
FSI: Microamperage from control to flame sensor

GV: 24 VAC from control to high limit and then to gas control valve.

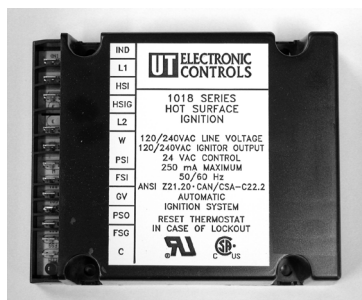
PSO: 24 VAC return from air proving switch back to control

FSG: Ground of flame sensor

C: Ground for control

Also refer to "Operation Sequence" within this manual as needed to understand operation of the ignition control during a call for heat.

FIG. 22



Gas Pressure Checks

⚠ WARNING

- Do not disassemble the gas control valve.
- Do not attempt to replace any components of the gas control valve.
- The gas control valve must be replaced if any physical damage occurs to the control valve assembly.
- Failure to follow this warning will result in fire or explosions, leading to injury or death to humans, and property damage.

- The following explains a typical procedure to be followed in checking gas pressures.
- The gas pressures will vary depending upon fuel type.
- Consult the dataplate on the heater or page 4 in this manual for specific pressures to be used in conjunction with this procedure.
- Gas pressure measured at the inlet to the gas valve is Inlet Pressure and gas pressure measured at the outlet of the gas valve is Burner Manifold Pressure.

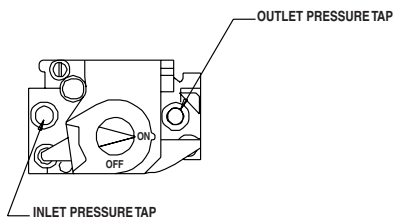
A. Preparation

1. Obtain two pressure gauges capable of reading up to 35 in. W.C.
2. Disconnect the heater from the electrical supply and close the fuel supply valve to the heater inlet.
3. Open the burner access panel.
4. Brush or blow off any dust and dirt on or in the vicinity of the gas control valve.

B. Gauge Installation

1. Locate the inlet and outlet pressure taps, see Fig. 23. Remove the pressure tap plug using a 3/16 in. allen key.

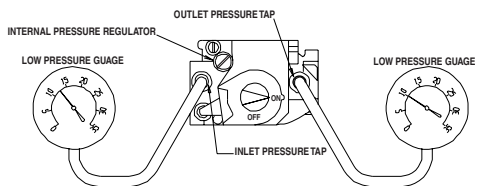
FIG. 23



2. Securely connect a pressure gauge to each pressure tap.
3. Open the fuel supply valves to the heater and reconnect the heater electrical supply.
4. Start the heater

C. Reading Pressures

1. With the heater operating, the pressure gauges should read the pressures specified on the dataplate .
2. Do the readings at the inlet and outlet pressure gauges agree with that specified on the dataplate? If so, then no further checking or adjustment is required. Proceed to section D.
3. If the inlet pressures do not agree with that specified on the dataplate, then the regulator controlling gas pressure to the heater requires adjustment.
4. If the inlet pressures are correct and the burner manifold pressure does not agree with that specified on the dataplate, then the gas control valve's internal pressure regulator requires adjustment. See Fig. 24 for regulator location.

FIG. 24

EXAMPLE SHOWS PRESSURE FOR PROPANE GAS
ALWAYS REFER TO PRESSURE ON DATAPLATE

D. Completion

1. Once the proper inlet and burner manifold pressures have been confirmed and/or properly set, close the fuel supply valve to the heater and allow the heater to burn off any gas remaining in the gas supply line.
2. Disconnect the heater from its electrical supply.
3. Remove the gauges and connecting hoses.
4. Install pressure tap plugs and tighten securely. Check for gas leaks.

Troubleshooting Guide

READ THIS ENTIRE SECTION BEFORE BEGINNING TO TROUBLESHOOT PROBLEMS.



WARNING

Electrical Shock and Burn Hazard

- Troubleshooting this system may require operating the unit with line voltage present and gas on. Use extreme caution when working on the heater.
- Failure to follow this warning may result in property damage, personal injury or death.

The troubleshooting flow charts on the following pages provide systematic procedures for isolating equipment problems. The charts are intended for use by a **QUALIFIED GAS HEATER SERVICE PERSON. DO NOT SERVICE THESE HEATERS UNLESS YOU HAVE BEEN PROPERLY TRAINED.**

TEST EQUIPMENT REQUIRED

The following pieces of test equipment will be required to troubleshoot this system with minimal time and effort.

- **Digital Multimeter** - for measuring AC and DC voltage and resistance.
- **Low Pressure Gauge** - (Part No. 00764) for checking inlet and outlet pressures of the gas control valve against dataplate rating.

INITIAL PREPARATION

- Visually inspect equipment for apparent damage.
- Check all wiring for loose connections and worn insulation.

Refer to the system operation sequence in this section to gain an understanding as to how the equipment operates during a call for heat. Understanding the operation sequence of the ignition module and related components is essential as it will relate directly to problem solving provided by the flow charts.

The ignition control module is self-diagnostic. A solid on red light indicates normal operation. The red light on the module will flash a specific pattern if a heater problem is identified, depending upon the problem which is diagnosed.

To effectively use the flow charts, you must first identify what the problem is by the flashing pattern of the red diagnostic light. If the light is flashing, the flash pattern will be followed by a pause and then a repeat of the flash pattern until the problem is corrected.

Refer to the tables below to identify what page to refer to when troubleshooting any problems.

<u>Problems</u>	<u>Page</u>
Diagnostic light not on during a call for heat.....	27
L.E.D. diagnostic light flashing:	
A. Rapid Flash	28
B. Long Flash (2 seconds on - 2 seconds off)	28
C. One Time	28
D. Two Times	29
E. Three Times	30
F. Four Times.....	30
G. Five Times	30
H. Six Times	30

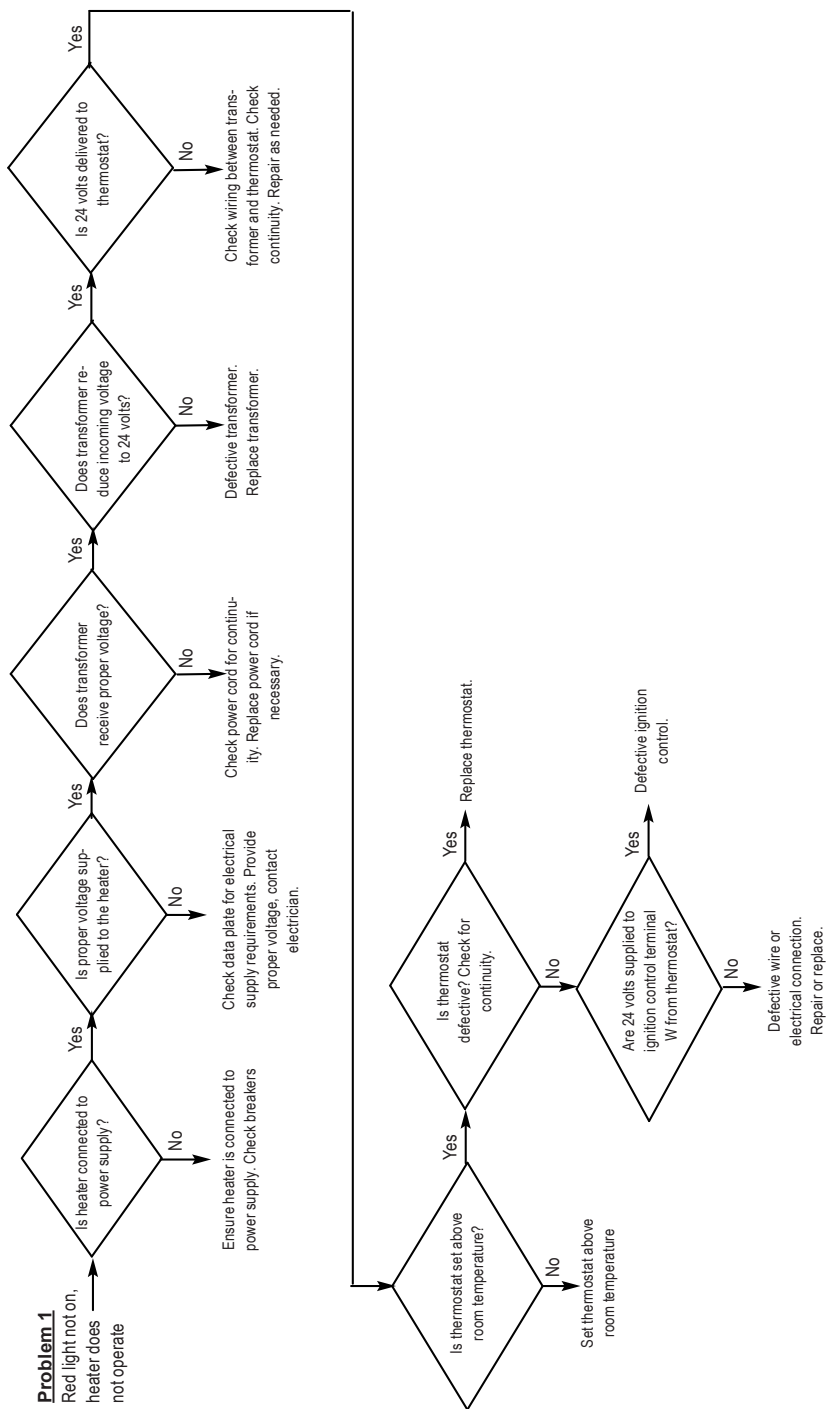
Components should be replaced only after each step has been completed and replacement is suggested in the flow chart.

OPERATION SEQUENCE:

- Line voltage is sent to transformer
- Transformer terminal branches off line voltage to ignition control terminal L1.
- Transformer reduces line voltage to 24 VAC.
- 24 VAC is sent to thermostat.
- Thermostat closes and returns 24 volts to terminal W on ignition control.
- Red light on ignition control is illuminated.
- Ignition control sends flame sense current to flame sensor.
- Ignition control module performs self safety check.
 - Internal components are tested.
 - Air proving circuit is tested
 - Control sends 24 VAC from terminal PSI to air proving switch.
- Ignition control module begins ignition trial sequence.
- Ignition control sends 115 volts from terminal IND to motor. (Model AW325: Ignition control sends 115 volts to terminal 0 of motor relay. The relay closes, and sends 115 volts from terminals 2 and 6 to start the motor.
 - Motor starts.
- Air proving switch closes and 24 volts are returned to terminal PSO of ignition control.
 - Motor stops.
- Ignition control module sends 115 volts to hot surface igniter.
 - Igniter reaches ignition temperature in 17 seconds.
- Ignition control restarts the fan motor while sending 24 VAC to air proving switch.
 - Switch closes and 24 volts are returned back to control.
- Ignition control send 24 volts from terminal GV to high limit switch.
 - If limit switch contacts are closed, limit sends 24 volts to gas control valve
- Gas control valve opens
- Ignition occurs.
- Flame sense current is passed through burner flame back to ignition control.
- Igniter stays powered until ignition control proves flame sense
 - Igniter then shuts down.
 - Gas control valve stays open
- Room warms to desired temperature.
 - Thermostat is satisfied.
 - Heater shuts down.
- Process starts again on a call for heat.

IGNITION FAILURE SEQUENCE:

- First trial for ignition takes approximately 20 seconds
- Two more ignition trials occur
 - Second trial immediately follows if first trial failed.
 - If second trial fails, ignition control starts a 15 minute waiting period
 - At end of 15 minutes, ignition control attempts third and final ignition trial
- If ignition control does not prove burner flame after third trial, the control goes into safety lockout (3 flash)
 - Gas valve closes.
 - Hot surface igniter shuts down
 - Fan motor stops.
- To retry for ignition, turn the heater off and then on.

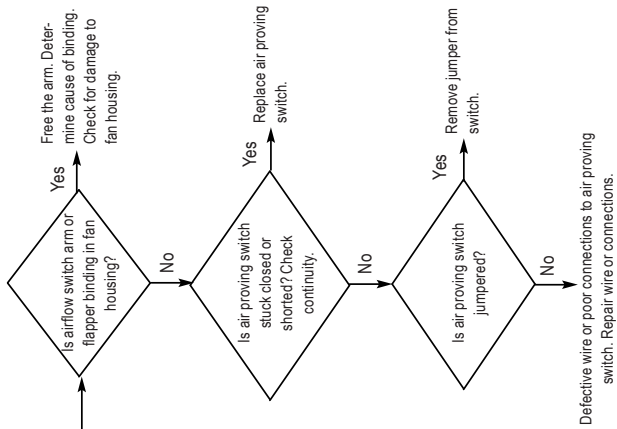


Red Light Flashing

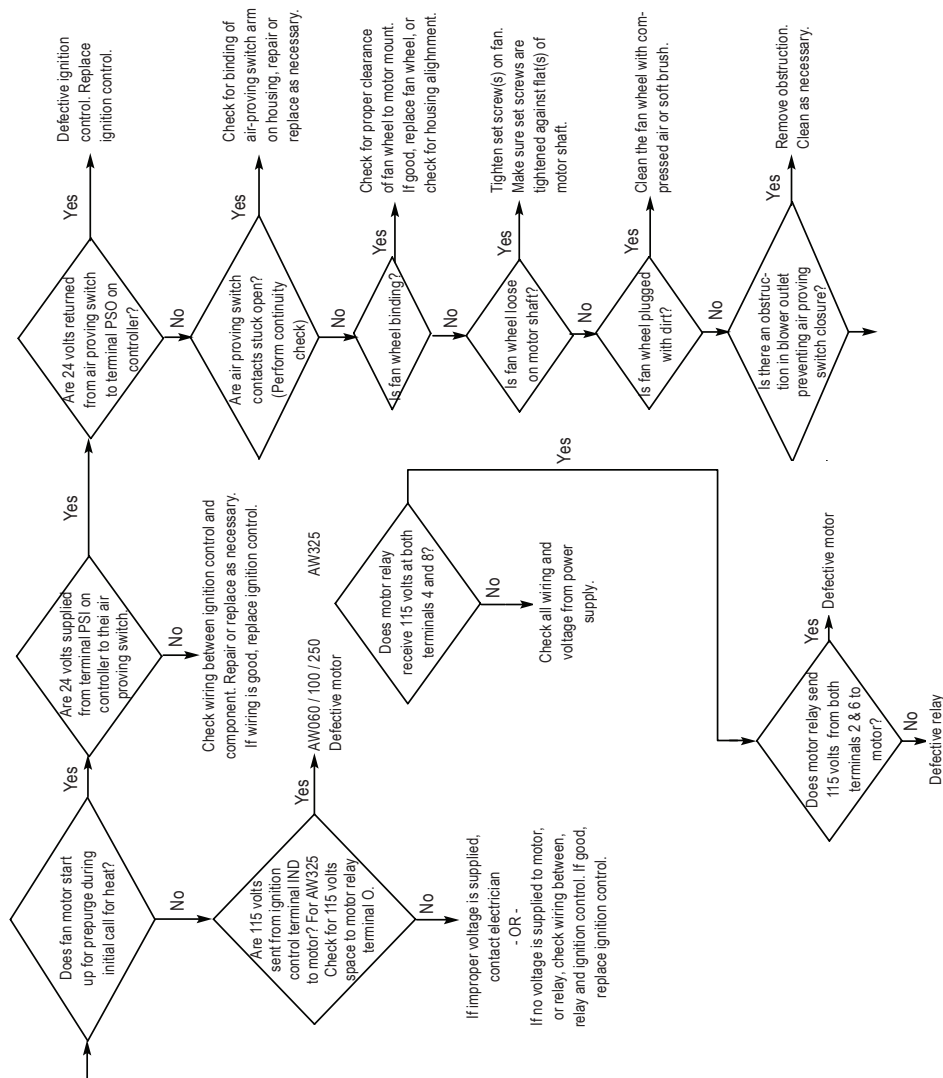
Rapid Flash → Reverse polarity. Have electrician check neutral and hot wire connections at outlet that heater is connected to.

Long Flash → Heater has attempted two ignition trials. Heater is on 15 minute wait period before attempting its third (final) trial for ignition. If ignition is not achieved after the third trial, the heater will lock out and the ignition control module will present the three time flash pattern. Either recycle the heater or wait for heater to attempt third ignition trial.

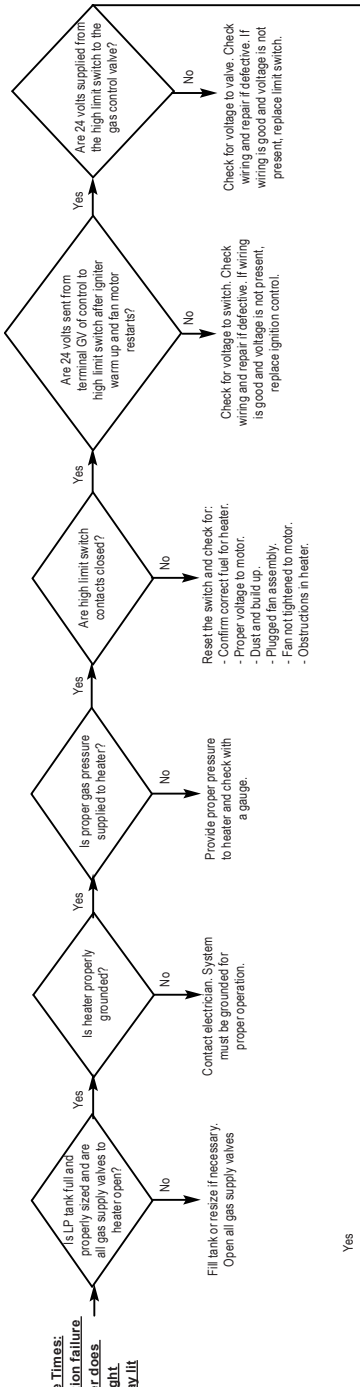
One Time
Air proving switch contacts are closed before a call for heat is established.



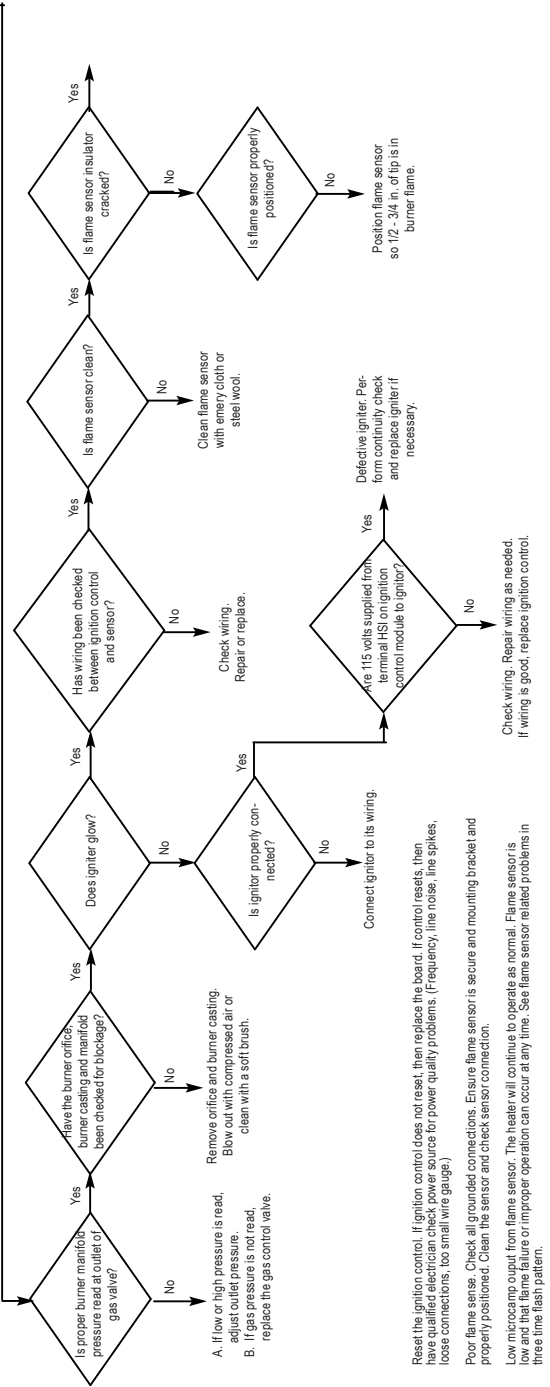
Two Times Lack of air proving in fan section.



Three Times:
Ignition failure, heater does not light or stay lit



Yes



Five Times:
Ignition failure, heater does not light or stay lit

Reset the ignition control. If ignition control does not reset, then replace the board. If control resets, then check for loose electrical connections for power quality problems. (Frequency, line noise, line spikes, loose connections, too small wire gauge)

Poor flame sense. Check all grounded connections. Ensure flame sensor is secure and mounting bracket and properly positioned. Clean the sensor and check sensor connection.

Low microamp output from flame sensor. The heater will continue to operate as normal. Flame sensor is low and that flame failure or improper operation can occur at any time. See flame sensor related problems in three time flash pattern.

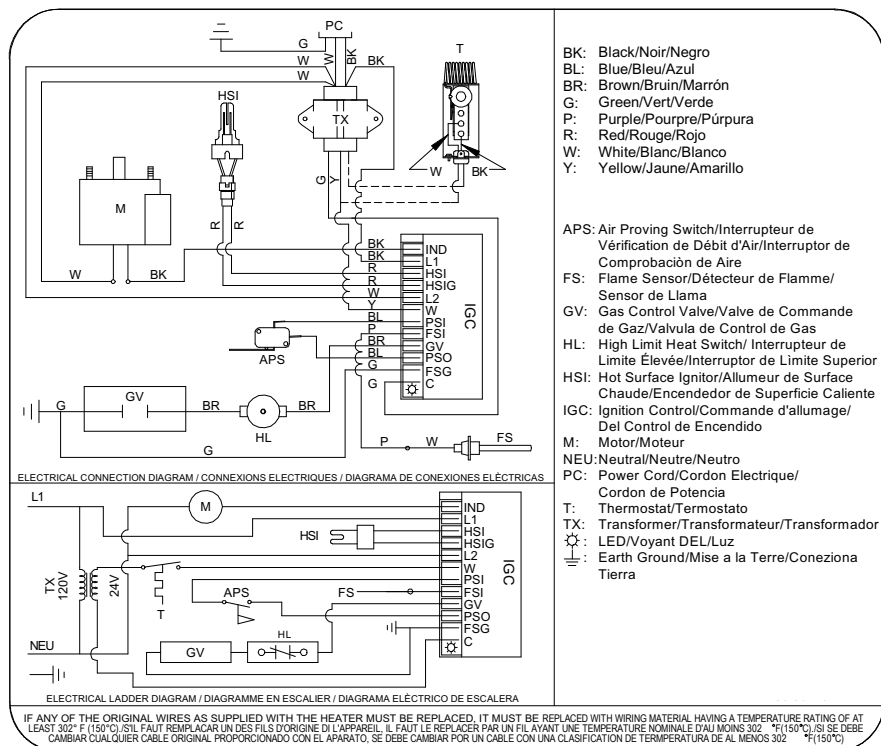
Check wiring. Repair wiring as needed. If wiring is good, replace ignition control.

Electrical Connection & Ladder Diagram

⚠ CAUTION

Always refer to the heater's electrical connection diagram when servicing to avoid wiring errors and heater malfunction. Check for proper operation after servicing.

AW060 / 100 / 250 Connection Diagram:

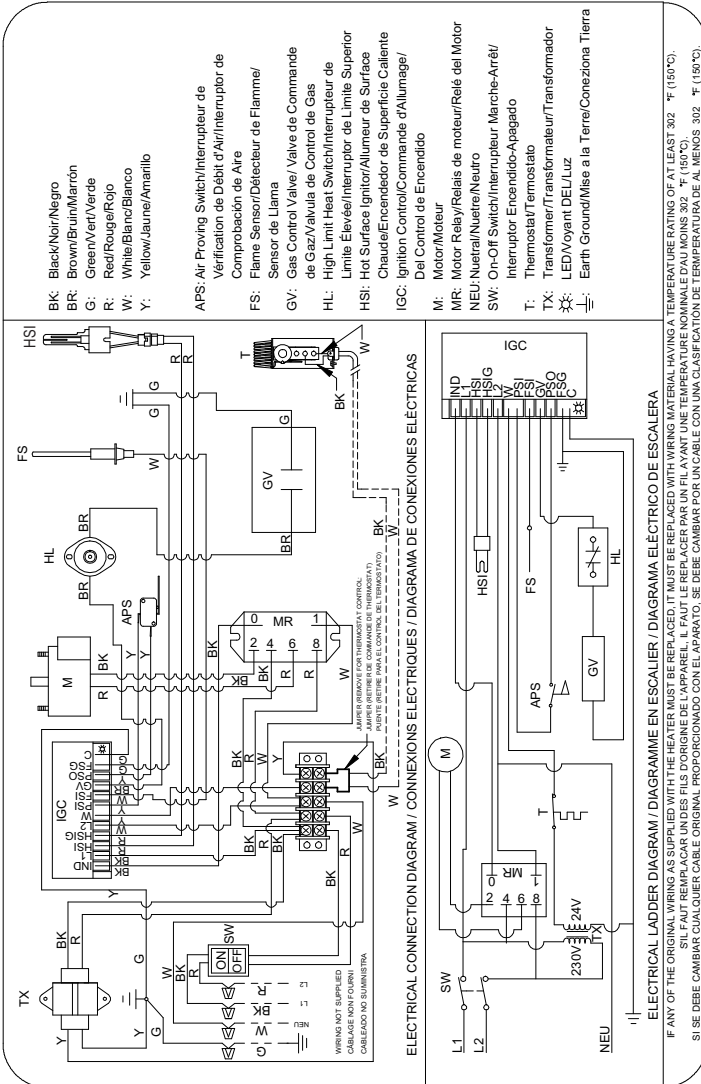


Electrical Connection & Ladder Diagram

CAUTION

Always refer to the heater's electrical connection diagram when servicing to avoid wiring errors and heater malfunction. Check for proper operation after servicing.

AW325 Connection Diagram:



Heater Component Function

Air Proving Switch

Safety device used to insure that the proper air flow is being achieved before the gas valve is opened.

Burner

Cast iron component used to channel gas and provide an area at which the fuel may ignite.

Burner Orifice

Brass metering device used to feed gas to burner at a specific rate.

Fan Housing

Chamber used for compressing air for efficient air movement.

Fan Wheel

Component used in conjunction with the motor and fan housing to pull the hot air from heater and blow it into room for heating (also known as a squirrel cage).

Flame Sensor

Also known as a flame rod or flame probe, this device works in conjunction with the ignition module in proving that burner flame has been established.

Flapper

A sail located in the blower outlet that lifts on an increase in air pressure generated by the fan & motor. Assists in establishing that proper air flow is achieved before ignition occurs.

Gas Control Valve

A device which consists of a low pressure regulator and electrical solenoids which are used for the control of gas flow to the burner assembly. A feature of the control is a built in gas shut off which is used to isolate the heater from its gas supply when servicing.

Gas Hose

Flexible connector used to convey gas from supply line in building to heater.

Heat Chamber

Metal fire box within the appliance that provides an area where burner flame mixes with combustion air thereby providing heat.

High Limit Switch

Safety device wired into the control system which is used to break an electrical circuit to the gas control valve in event of overheat situation.

Hot Surface Igniter

Electrical ignition device used on automatic ignition control systems. Ignites gas by surface temperature rather than by spark or flame.

Ignition Control Module

Controls the ignition sequence and operation of the heater as well as monitoring the safety services. A major service feature is the board's ability to diagnose component and flame failure by means of a diagnostic light located within the module. This light will provide a specific flash pattern repetitively, depending on the type of component failure that has occurred.

Motor

Electric device used to force preheated air through the heater and to circulate heat within a certain area. Converts electrical energy into mechanical energy.

Regulator

The heart of any gas supply installation. Used to deliver a working pressure to the heater under varying conditions in tank pressure.

Relay (Used on AW325)

Connected between the ignition control and motor, the relay is used to supply a total of 220 volts to the fan motor on receipt of 115 volts from the ignition control.

Thermostat

Electrical device used as an automatic on/off switch which will respond to changes in temperature in a certain area. Can be wired so contacts in the thermostat open or close on temperature increase or decrease.

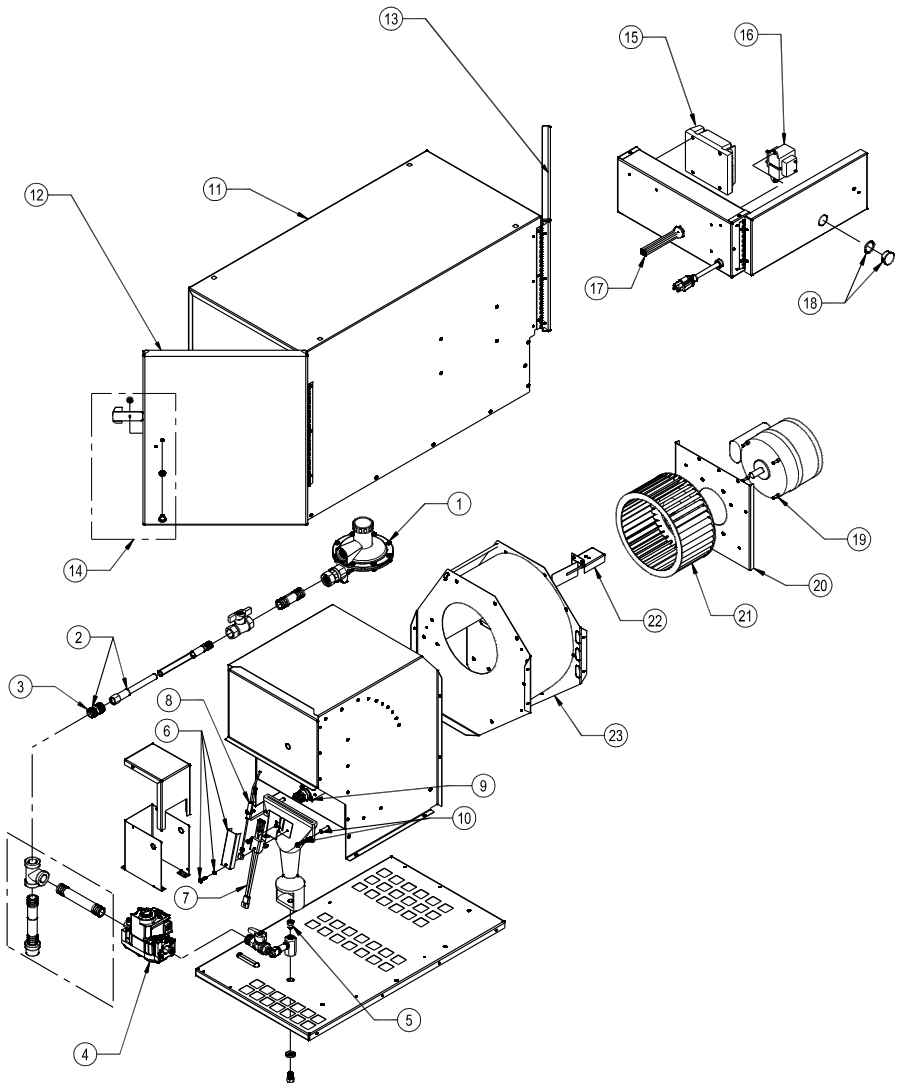
Throttle Valve

Manually adjustable component used to increase or decrease the flow of gas to the burner. The throttle valve is located between the gas control valve and burner assembly.

Transformer

This device is responsible for reducing a higher incoming voltage (normally 120 V.A.C.) to a lower outgoing voltage. The lower voltage (24 V.A.C.) is essential to operate the ignition control module.

Service Parts Identification Schematic



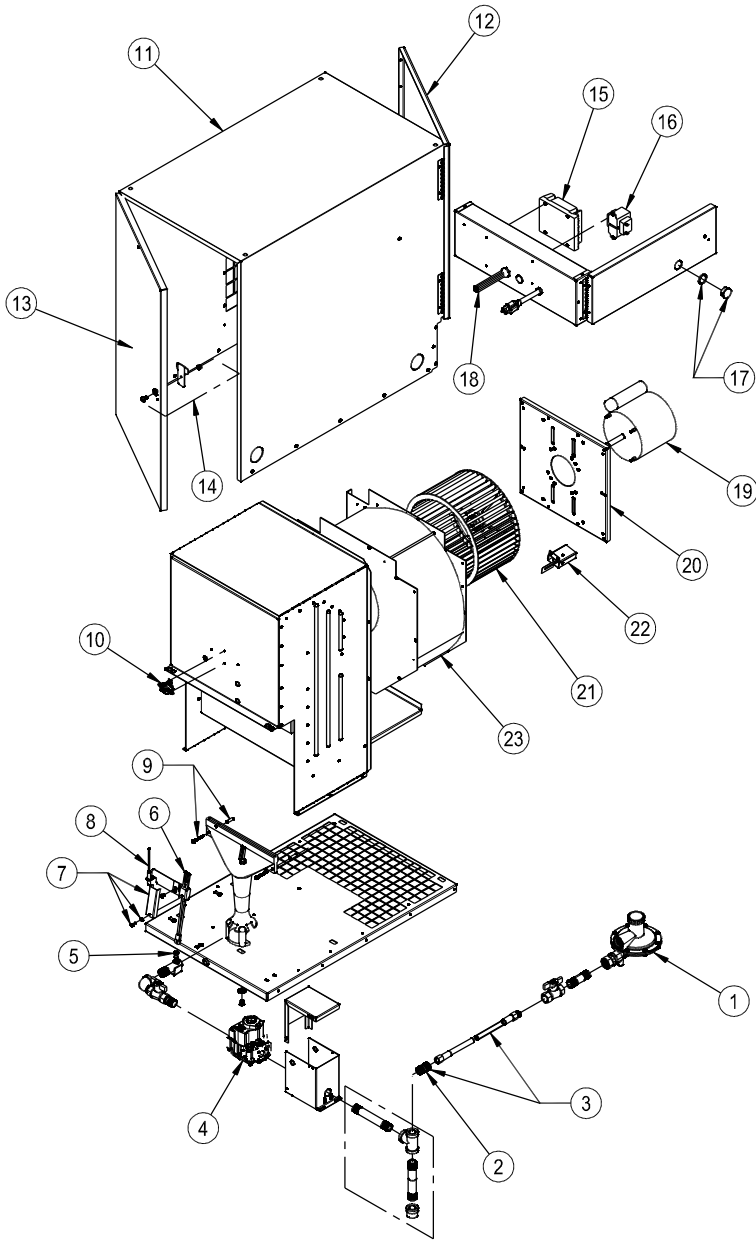
Item	Description	Part Number
1	Regulator, LP Gas, 2nd Stage, Vent over Side	06665*
	Regulator, LP Gas, 2nd Stage, Vent over Outlet	06553*
	Regulator, Natural Gas (not shown) (5 PSIG Inlet, 13.5 in W.C. outlet)	07087*
2	Hose, 3/8 in. x 10 ft. w/Adapter	21993*

* Accessory - Must be ordered separately.

Parts List - AW060 / 100

Item	Description	Part Number
3	Adapter, 1/2 NPT x 5/8-18	06655*
4	Gas control valve, LP Gas	522076
	Natural Gas	522078
5	Orifice, Burner, LP Gas, 60,000 Btuh	570225
	Natural Gas, 60,000 Btuh	570226
	LP Gas, 100,000 Btuh	570281
	Natural gas, 100,000 Btuh	570282
6	Shield	572494
7	Ignitor	509201
8	Flame Sensor	572412
9	High limit switch	503933
10	Burner mounting hardware (2 each screws and spacers)	570211
11	Case assembly w/doors and latches, LP gas, 60,000 Btuh	570516
	Natural Gas, 60,000 Btuh	570517
	LP Gas, 100,000 Btuh	570572
	Natural Gas, 100,000 Btuh	570571
12	Door, burner end, LP gas, 60,000 Btuh	570039
	Natural Gas, 60,000 Btuh	570040
	LP Gas, 100,000 Btuh	570119
	Natural Gas, 100,000 Btuh	570120
13	Door, motor end	570298
14	Latch kit	570228
15	Ignition control	509298
16	Transformer	509615
17	Wire kit and harness	23709
18	Window plug with o-ring	570002
19	Motor, 1/12 HP, 60,000 Btuh	520290
	Motor, 1/8 HP, 100,000 Btuh	520292
20	Motor mount, 60,000 Btuh	570382
	100,000 Btuh	570383
21	Fan, wheel, 60,000 Btuh	570230
	Fan, wheel, 100,000 Btuh	570304
22	Air proving switch with bracket 60,000 Btuh	570027
	Air proving switch with bracket 100,000 Btuh	570493
23	Fan housing, with air proving switch and motor mount 60,000 Btuh	520989
	Fan housing, with air proving switch and motor mount 100,000 Btuh	520990

Service Parts Identification Schematic

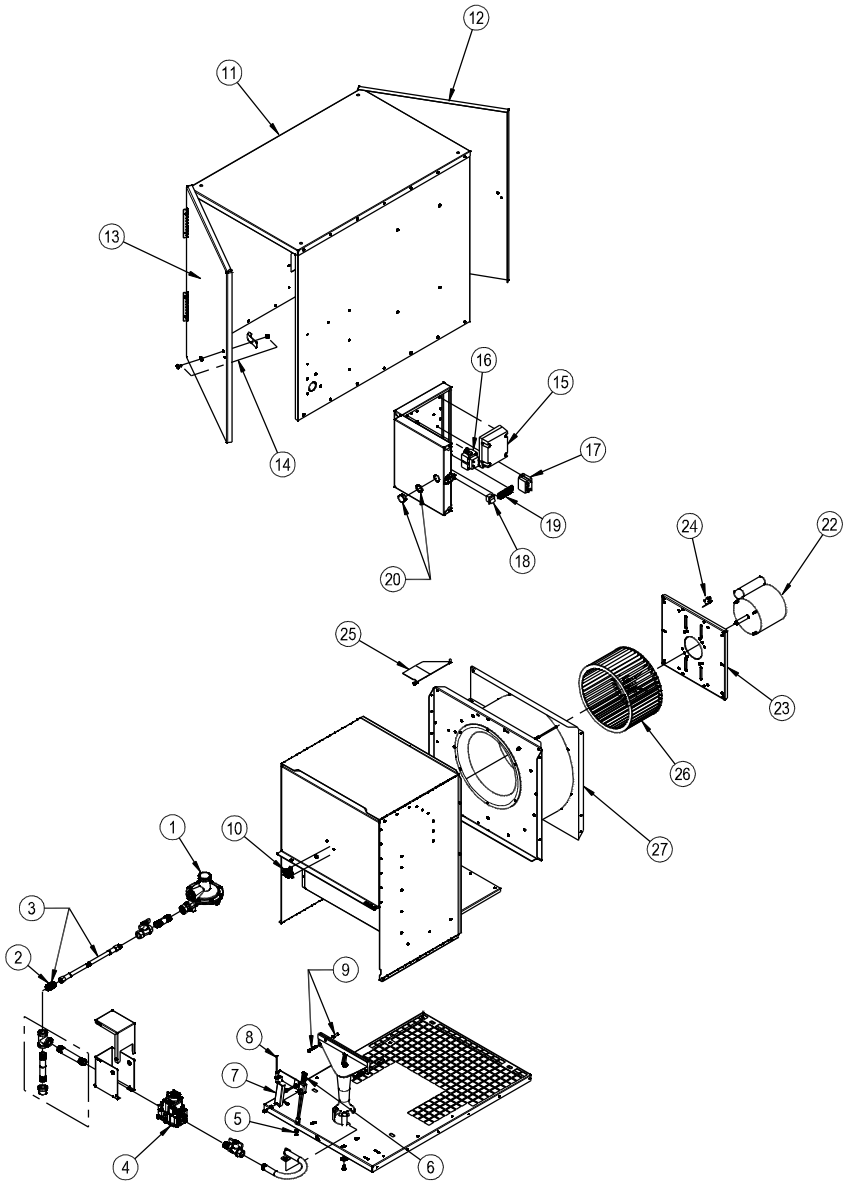


Parts List - AW250

Item	Description	Part Number
1	Regulator, LP Gas, 2nd Stage, Vent Over Outlet	06553*
	Regulator, LP Gas, 2nd Stage, Vent Over Side	06665*
	Regulator, Natural Gas, 2nd Stage, Vent Over Side	24414*
2	Adapter, hose, 1/2 NPT x 1/2 NPS	25873
3	Hose, 1/2 in. ID x 10 ft. with adapter	20714
4	Valve, Gas Control: LP gas	522076
	Natural gas	522078
5	Orifice, Burner: LP gas	570053
	Natural gas	570054
6	Igniter, hot surface	509201
7	Igniter shield	572494
8	Flame sensor	520139
9	Burner mounting hardware (2 each screws & spacers)	570211
10	High limit switch	505566
11	Case, Assembly, with doors and latches, Galvanized, variable rate, LP gas	570310
	Natural gas	570311
12	Door, motor end, LP gas	570135
	Natural gas	570485
13	Door, burner end	573475
14	Latch kit	570228
15	Ignition control	509298
16	Transformer, 120/24 v.	509615
17	Window with o-ring	570002
18	Wire kit with harness	570110
19	Motor, 1/3 HP, Ball Bearing	520169
20	Motor mount	570251
21	Fan wheel	570481
22	Air proving switch	24157
23	Fan housing, with air proving switch and motor mount	24167

* Accessory - Must be ordered separately.

Service Parts Identification Schematic



Parts List - AW325

Item	Description	Part Number
1	Regulator, LP Gas, 2nd Stage, Vent Over Outlet	06553*
	Regulator, LP Gas, 2nd Stage, Vent Over Side	06665*
	Regulator, Natural Gas	25108*
2	Adapter, hose, 1/2 NPT x 1/2 NPS	25873*
3	Hose, 1/2 in. ID x 10 ft. with adapter	20714*
4	Valve, Gas Control: LP Gas	22189
	Natural Gas	22190
5	Orifice, Burner: LP Gas	570161
	Natural Gas	570162
6	Igniter, hot surface	509201
7	Igniter shield	572494
8	Flame sensor	570006
9	Burner mounting hardware (2 each screws & spacers)	570211
10	High limit switch	505566
11	Case, assembly with doors and latches: LP Gas	570393
	Natural Gas	570394
12	Case door, motor end	570252
13	Case door, burner end: LP gas	570499
	Natural gas	570500
14	Latch kit	570228
15	Ignition control	509298
16	Transformer, 240/24v.	570389
17	Relay	570221
18	On/Off Switch	570520
19	Terminal strip	570491
20	Window plug with o-ring	570002
21	Wiring kit complete (all heater wiring) Not Shown	570587
22	Motor, 1/2 hp. 240 volt	508635
23	Motor mount	570251
24	Air proving switch	502680
25	Flapper sail	570212
26	Fan wheel	570440
27	Fan housing, with air proving switch and motor mount	508798

* Accessory - Must be ordered separately.

Warranty Policy

HEATER

L.B. White Co., Inc. warrants that the component parts of its heater are free from defects in material and workmanship, when properly installed, operated, and maintained in accordance with the Installation and Maintenance Instructions, safety guides and labels contained with each unit. If, within 12 months from the date of purchase by the end user, any component is found to be defective, L.B. White Co., Inc. will at its option, repair or replace the defective part or heater, with a new part or heater, F.O.B., Onalaska, Wisconsin. Registering your product online with L.B.White will automatically qualify a unit and its component parts for warranty consideration. If a product has not been registered with L.B.White, a copy of the bill of sale will be required to establish warranty qualification. If neither is available, the warranty period will be 12 months from date of shipment from L B. White.

PARTS

L.B. White Co., Inc. warrants that replacement parts purchased from the company and used on the appropriate L. B. White equipment are free from defects both in material and workmanship for 12 months from the date of purchase by the end user. Warranty is automatic if a component is found defective within 12 months of the date code marked on the part. If the defect occurs more than 12 months later than the date code but within 12 months from the date of purchase by the end user, a copy of a bill of sale will be required to establish warranty qualification.

The warranty set forth above is the exclusive warranty provided by L.B. White, and all other warranties, including any implied warranties or merchantability or fitness for a particular purpose, are expressly disclaimed. In the event any implied warranty is not hereby effectively disclaimed due to operation of law,

such implied warranty is limited in duration to the duration of the applicable warranty stated above. The remedies set forth above are the sole and exclusive remedies available hereunder. L.B. White will not be liable for any incidental or consequential damages directly or indirectly related to the sale, handling or use of the equipment, and in any event L.B. White's liability in connection with the equipment, including for claims based on negligence or strict liability, is limited to the purchase price.

Some states do not allow limitations on how long an implied warranty lasts, so the above limitation may not apply to you. Some states do not allow the exclusion or limitation of incidental or consequential damages, so the above limitation or exclusion may not apply to you. This warranty gives you specific legal rights, and you may also have other rights which vary from state to state.

To register your product and ensure full warranty, go to http://www.lbwhite.com/customer_care_center/product-registration/. Please have the serial number(s) and model(s) handy for the products you are registering.

Service

Contact your local L.B. White dealer for replacement parts and service. You may also call the L.B. White Co., Inc. at 1-800-345-7200, for assistance, or email us at customerservice@lbwhite.com.

Be sure that you have your heater model number and configuration number when calling.



**WORLD PROVIDER - INNOVATIVE
HEATING SOLUTIONS**

411 Mason Street, Onalaska, WI 54650

800-345-7200 • 608-783-5691

608-783-6115 (fax)

www.lbwhite.com



Guardian

Calefactor de aire forzado

AW060	60.000 Btu/h
AW100	100.000 Btu/h
AW250	250.000 Btu/h
AW325	325.000 Btu/h

Recuperación del vapor de PL o gas natural

Para ver este manual en línea, visite www.lbwhite.com

Atención

Este calefactor ha sido probado y evaluado por C.S.A. International según ANSI/IAS U.S. LC2-1998 y según la Norma de la Asociación de Gas de Canadá para Incubadoras a Gas, CAN1-2.20-M85, y está clasificado y aprobado como calefactor circulante de gas directo para la calefacción de edificios agrícolas donde se confinan animales. Si considera usar este producto para cualquier aplicación no contemplada en sus usos previstos, por favor contáctese con su proveedor de gas combustible o con L.B. White Co., Inc.

www.lbwhite.com



¡Felicitaciones!

Usted acaba de comprar el mejor calefactor disponible para edificios agrícolas. Su nuevo calefactor L.B. White incorpora los beneficios del fabricante de productos de calefacción más experimentado que emplea tecnología de avanzada.

En L.B. White, le agradecemos la confianza depositada en nuestros productos y serán bien recibidos los comentarios y sugerencias que pueda tener... contáctenos al 1-(800)-345-7200, o envíe un correo electrónico a customerservice@lbwhite.com.

**CONSULTE LAS
INSTRUCCIONES
DE ARMADO
EN EL INTERIOR**

Por favor refiérase a la información de elevación importante en la cubierta interior



ESCANEE ESTE CÓDIGO

con su teléfono inteligente o visite <http://goo.gl/nksqZ> para ver los videos de mantenimiento para calefactores L.B. White.*

* Necesita una aplicación como QR Droid para Android o para iPhone

PROVEEDOR MUNDIAL - SOLUCIONES INNOVADORAS DE CALEFACCIÓN

411 Mason Street, Onalaska, WI 54650 • 800-345-7200 • 608-783-5691 • 608-783-6115 (fax) • www.lbwhite.com

ÍNDICE

Especificaciones del calefactor	4
Información general.....	5
Precauciones de seguridad	6
Instrucciones generales de instalación.....	9
Instrucciones de instalación de los desviadores del aire.....	11
Instrucciones de colgado	11
Conjunto del colector de sedimentos	12
Válvula de cierre manual, manguera y regulador.....	12
Termostatos	13
Instrucciones de puesta en marcha / apagado.....	14
Potencia calorífica variable.....	15
Instrucciones de limpieza	16
Instrucciones de mantenimiento.....	17
Instrucciones de servicio	18
Conjunto del motor y el ventilador.....	18
Interruptor de comprobación de aire	19
Obturador	19
Encendedor	20
Sensor de llama.....	20
Interruptor de límite superior	20
Transformador	21
Relé	21
Orificio del quemador y válvula de control de gas.....	22
Control de encendido	22
Verificaciones de la presión de gas.....	23
Guía de resolución de problemas.....	25
Diagrama de conexión eléctrica y escalera (AW60/100/250).....	31
Diagrama de conexión eléctrica y escalera (AW325).....	32
Función componente del calefactor.....	33
Diagrama de identificación de piezas de mantenimiento y lista de piezas	
- AW060/100.....	34/35
- AW250.....	36/37
- AW325.....	38/39
Política de garantía.....	40



ADVERTENCIA

Los productos estándar son fabricados para operar con máxima eficiencia en elevaciones entre 0 y 2000 pies por encima del nivel del mar.

Si se operan en elevaciones más altas, el producto no funcionará correctamente y puede funcionar de manera riesgosa. Se pueden conseguir productos que funcionen correctamente en elevaciones alternativas.

Si necesita un producto de alta elevación, que no especificó cuando realizó el pedido, y/o la caja en donde vino la unidad no tiene una etiqueta de designación alternativa de altitud, por favor contacte con soporte técnico.

**ADVERTENCIA GENERAL**

Si no se contemplan las precauciones e instrucciones suministradas con este calefactor, se puede provocar:

- La muerte
- Quemaduras o lesiones graves
- Daños o pérdidas materiales por incendio o explosión
- Asfixia debido a la falta de un adecuado suministro de aire o envenenamiento por monóxido de carbono
- Descarga eléctrica
 - Lea detenidamente este manual del usuario antes de instalar o de usar este calefactor.
 - Solo deben reparar o instalar este calefactor personas de mantenimiento con la capacitación adecuada.
 - Guarde este manual del usuario para consultar y usar en el futuro.
 - Los manuales del usuario y las etiquetas de repuesto están disponibles sin costo. Para recibir ayuda, contáctese con L.B. White al 800-345-7200.

**ADVERTENCIA**

- Deberá proveerse una presión de suministro de gas apropiada a la entrada del calefactor.
- Consulte la placa de datos para obtener información sobre la presión de suministro de gas adecuada.
- La presión de gas que supere la presión de entrada máxima especificada en la entrada del calefactor puede provocar incendios o explosiones.
- Los incendios o las explosiones pueden causar lesiones graves, la muerte o daños al edificio.
- La presión de gas por debajo de la presión de entrada mínima especificada en la entrada del calefactor puede ocasionar una combustión inadecuada.
- Una combustión inadecuada puede causar asfixia o envenenamiento por monóxido de carbono, y así ocasionar lesiones graves o la muerte.

**ADVERTENCIA****Peligro de incendio y explosión**

- Mantenga los combustibles sólidos a una distancia segura del calefactor.
- Los combustibles sólidos incluyen productos de madera o de papel, plumas de aves, paja, y polvo.
- No use el calefactor en espacios que contengan o puedan contener gases inflamables o combustibles volátiles o en suspensión en el aire.
- Los gases inflamables o combustibles volátiles o en suspensión en el aire incluyen gasolina, solventes, diluyente de pintura, partículas de polvo o sustancias químicas desconocidas.
- No seguir estas instrucciones puede provocar un incendio o una explosión.
- Los incendios o las explosiones pueden producir daños materiales, lesiones o la muerte.

**ADVERTENCIA****Peligro de incendio y explosión**

- No lo use en una casa o en vehículos recreativos.
- La instalación de este calefactor en una casa o en un vehículo recreativo puede resultar en un incendio o una explosión.
- Los incendios o explosiones pueden ocasionar daños materiales o la muerte.

PARA SU SEGURIDAD

No almacene ni use gasolina u otros vapores y líquidos inflamables cerca de este o de cualquier otro artefacto.

PARA SU SEGURIDAD

Si siente olor a gas:

1. Abra las ventanas.
2. No toque los interruptores eléctricos.
3. Apague toda llama al descubierto.
4. Llame inmediatamente a su proveedor de gas.

Especificaciones

			AW060	AW100	AW250	AW325
Entrada máxima (btu/h)			60.000	100.000	250.000	325.000
Entrada mínima (btu/h)			30.000	50.000	160.000	200.000
Aire de ventilación requerido para mantener la combustión (cfm)			240	400	1050	1700
Presión de suministro de gas aceptable en la entrada del calefactor para el propósito (máx.) de ajuste de entrada (pulg. de columna de agua)	Gas PL	Máx.	13,5			
		Mín.	11,0			
	Gas nat.	Máx.	13,5			
		Mín.	7,0			
Presión del colector del quemador (pulg. de columna de agua)	Gas PL	10,0				8,0
	Gas nat.	4,0				3,5
Consumo de combustible por hora	Gas PL (libras)	Máx.	2,78	4,63	11,58	15,08
		Mín.	1,39	2,32	7,41	9,28
	Gas nat. (pies cúbicos)	Máx.	60	100	250	325
		Mín.	30	50	160	200
Características del motor	Rodamiento					
	H.P.	1/15		1/8	1/3	1/2
	RPM	1700		1100	1075	1100
Suministro eléctrico (Voltios/HZ/fase)	120/60/1					240/60/1
Amperaje (incluye el encendedor)	De inicio	7,0	7,5	11,8	10,1	
	Continuo	1,1	1,4	4,5	3,6	
Dimensiones (pulg.) (L x Anch. x Alt.)			21½x14¼x18	29½x14¼x18	30¾x18¼x28¾	36x22x30
Distancias seguras mínimas del calefactor a los materiales combustibles más cercanos	Parte superior	1 pie (0,3 m)				
	Laterales	1 pie (0,3 m)				
	Parte inferior	1 pie (0,3 m)				
	Salida del soplador	6 pies (1,83 m)				
	Suministro de gas	Gas PL: 6 pies (1,83 m) Gas natural: N/C				

Información general

Este manual del usuario incluye los accesorios que se utilizan regularmente en este calefactor. Estos accesorios se deben pedir por separado.

Cuando llame para solicitar asistencia técnica, o para obtener cualquier otra información específica, **siempre** tenga disponible el número de modelo, el número de la configuración y el número de serie. Esta información se encuentra en la placa de datos.

Este manual le brindará instrucciones sobre el funcionamiento y el cuidado de su unidad. Pida a su instalador que revise con usted este manual para que usted pueda entender perfectamente el calefactor y su funcionamiento.

Póngase en contacto con su distribuidor de L.B. White local o con L.B. White Co., Inc. para obtener ayuda, o si tiene preguntas sobre el uso del equipo o sobre su aplicación.

L.B. White Co., Inc. tiene una política de mejoramiento continuo del producto. Se reserva el derecho de cambiar especificaciones y diseño sin previo aviso.

Precauciones de seguridad



ADVERTENCIA

Peligro de asfixia

- No use este calefactor para calefactar lugares donde vivan seres humanos.
- No lo use en áreas sin ventilación.
- El flujo de aire de ventilación y combustión no debe obstruirse.
- Se deberá proveer aire de ventilación apropiado para mantener los requisitos de aire de combustión del calefactor que se está usando.
- Consulte la sección de especificaciones del manual del usuario y la placa de datos del calefactor, o comuníquese con LB White Company para determinar los requisitos de ventilación del aire de combustión del calefactor.
- La falta de una cantidad de aire de ventilación apropiada resultará en combustión inadecuada.
- La combustión inadecuada puede resultar en envenenamiento por monóxido de carbono en seres humanos y producir lesiones graves o la muerte. Los síntomas del envenenamiento por monóxido de carbono pueden incluir dolores de cabeza, mareos y dificultad para respirar.
- Los síntomas de la combustión inadecuada que afectan al ganado pueden ser enfermedades, menor índice de transformación de los alimentos o la muerte.

Olor a gas combustible

Al gas propano y al gas natural se les ha agregado odorantes artificiales específicamente para la detección de fugas de gas combustible.

Si se produce una fuga de gas, debería ser capaz de oler el gas combustible.

¡ESA ES LA SEÑAL PARA ACTUAR DE INMEDIATO!

- No haga nada que pueda encender el gas combustible. No mueva ningún interruptor eléctrico. No desenchufe ningún cable de corriente ni alargue. No encienda fósforos ni ninguna otra fuente de fuego. No use su teléfono.
- Haga que todos salgan del edificio y que se alejen del área inmediatamente.
- Cierre todas las válvulas de suministro de combustible.
- El gas propano es más pesado que el aire y podría depositarse en áreas bajas. Cuando usted tenga razón para sospechar que existe una fuga de gas propano, manténgase alejado de todas las áreas bajas.
- Use el teléfono de su vecino, y llame a su proveedor de gas combustible y a su departamento de bomberos. No vuelva a entrar al edificio o al área.
- Permanezca fuera del edificio y alejado del área hasta que la misma haya sido declarada segura por los bomberos y por su proveedor de gas combustible.
- FINALMENTE, deje que el técnico de mantenimiento experto en gas combustible y los bomberos revisen para identificar la pérdida de gas. Haga que ellos ventilen el edificio y el área antes de que usted vuelva a entrar. Técnicos de mantenimiento adecuadamente capacitados deben reparar la fuga, revisar para detectar otras fugas, y volver a encender el calefactor por usted.

El olor se disipa - No se detecta olor

- Algunas personas no pueden oler bien. Algunas personas no pueden percibir el olor del químico artificial agregado al gas propano o natural. Usted debe determinar si es capaz de sentir el odorante que se agrega a estos gases combustibles.
- Aprenda a reconocer el olor del gas propano y del gas natural. Los vendedores locales de gas propano y su proveedor local de gas natural (empresa de servicio público) estarán más que contentos de proporcionarle un folleto del tipo "raspe y huele". Úselo para familiarizarse con el olor del gas combustible.
- Fumar puede disminuir su capacidad para oler. Estar en contacto con un olor durante un cierto tiempo también podría afectar su sensibilidad a ese olor en particular. Los olores presentes en edificios donde se encuentran confinados animales podrían disfrazar el olor del gas combustible.
- El odorante existente en el gas propano y el gas natural es incoloro y la intensidad de ese olor puede disiparse bajo algunas circunstancias.
- Si hay una fuga subterránea, el paso del gas a través del suelo puede filtrar el odorante.
- El olor del gas propano puede diferir en intensidad en distintos niveles. Dado que el gas propano es más pesado que el aire, podría haber más olor en niveles más bajos.
- Siempre tome en serio la más mínima presencia de olor a gas. Si aún detecta algún tipo de olor a gas, no importa lo poco que sea, trátelo como si fuera una fuga seria. Actúe de inmediato tal como se explicó anteriormente.

¡Atención - Puntos importantes para recordar!

- El gas propano y el gas natural tienen un olor característico. Aprenda a reconocer estos olores. (Consulte las secciones previas: "Olor a gas combustible" y "El olor se disipa").
- Si usted no ha sido capacitado apropiadamente en la reparación y el mantenimiento de calefactores que emplean gas propano y gas natural, entonces no intente encender el calefactor, realizar mantenimiento o reparaciones, o hacer ajustes al sistema de combustible del calefactor a gas propano o a gas natural.
- Aunque usted no esté adecuadamente capacitado para el mantenimiento y la reparación de calefactores radiantes, SIEMPRE esté bien consciente del olor del gas propano y del gas natural.
- Una prueba de detección activa alrededor del calefactor o en las juntas de este, es decir manguera, conexiones, etc., es una buena práctica de seguridad. Si huele aunque sea una cantidad muy pequeña de gas, LLAME INMEDIATAMENTE A SU PROVEEDOR DE GAS COMBUSTIBLE. ¡NO ESPERE!

1. No intente instalar, reparar o arreglar este calefactor o la línea de suministro de gas a menos que haya tenido una capacitación continua por expertos y tenga conocimientos sobre calefactores a gas.

REQUISITOS PARA REALIZAR MANTENIMIENTO E INSTALACIÓN:

- a. Para ser una persona calificada en mantenimiento de calefactores a gas, debe estar capacitado en reparaciones y mantenimiento de calefactores a gas y también tener suficiente experiencia que le permita localizar problemas, reemplazar piezas defectuosas y probar calefactores a fin de mantenerlos en condiciones de funcionamiento normales y seguras. Debe familiarizarse completamente con cada modelo de calefactor mediante la lectura y el cumplimiento de instrucciones de seguridad, etiquetas, manual del usuario, etc. que se proveen con cada calefactor.
 - b. Para ser una persona calificada para hacer instalaciones de gas, usted debe tener suficiente capacitación y experiencia para manejar todos los aspectos de la instalación, reparación y modificación de líneas de gas, incluidas la selección e instalación del equipo apropiado, y la selección del tamaño adecuado de tubería que se utilizará. Esto debe realizarse conforme a los códigos locales, estatales y nacionales, además de los requisitos del fabricante.
2. Todas las instalaciones o aplicaciones de los calefactores de L.B. White Co., Inc. deben cumplir con todos los requisitos de los códigos locales, estatales y nacionales de electricidad, de gas natural y gas PL,

y de seguridad. Su proveedor local de gas, un electricista autorizado local, el departamento de bomberos local y organismos del gobierno, pueden ayudarlo a determinar estos requisitos. En ausencia de códigos locales, cumpla con los siguientes:

- a. Instalaciones en los Estados Unidos:
 - ANSI/NFPA 58, última edición, Norma para el almacenamiento y manipulación de gases licuados de petróleo y/o
 - ANSI Z223.1/NFPA 54, Código nacional de gas combustible – ANSI/NFPA 70, Código nacional de electricidad.
- b. Instalaciones en Canadá:
 - Códigos de instalación CAN1-B149.1 o CAN1-B149.2
 - CSA C22.1, Parte 1, Código de electricidad de Canadá estándar. CSA C22.2 N.º 3, Características eléctricas de los equipos con quema de combustible.
3. No mueva, manipule o repare el calefactor mientras esté funcionando o conectado al suministro eléctrico o de combustible.
4. Este calefactor se puede instalar en áreas sujetas a lavado. Este calefactor se puede lavar solamente en el conjunto de la caja externa; consulte las instrucciones de limpieza. No lave el interior del calefactor. Use solamente aire comprimido, un cepillo suave o un paño seco para limpiar el interior del calefactor y sus componentes. Después del lavado externo, no haga funcionar el calefactor hasta que esté completamente seco. En cualquier caso, espere por lo menos una hora después del lavado externo para hacer funcionar el calefactor.
5. Por motivos de seguridad, este calefactor está equipado con un interruptor de límite superior de reposición manual y un interruptor de comprobación de aire. Nunca haga funcionar el calefactor con algún dispositivo de seguridad desactivado. No haga funcionar el calefactor a menos que estas características estén en pleno funcionamiento.
6. No haga funcionar el calefactor con la puerta abierta o sin el panel colocado.
7. No ubique contenedores de gas combustible ni mangueras de suministro de combustible dentro de un radio de 20 pies de la salida del soplador del calefactor.
8. No bloquee las entradas de aire ni las salidas de descarga del calefactor. Hacerlo podría ocasionar una combustión inadecuada o daños a los componentes del calefactor, lo que provocaría daños materiales o pérdida de animales.

9. Debe revisarse visualmente el conjunto de la manguera con frecuencia anual. Si es evidente una abrasión o desgaste excesivo, o si la manguera está cortada, debe reemplazarse antes de que se ponga el calefactor a funcionar. El conjunto de la manguera debe protegerse de los animales, materiales del edificio y el contacto con superficies calientes durante el uso. La manguera debe ser la que especifique el fabricante. Ver la lista de piezas.
10. Verifique fugas de gas y el funcionamiento adecuado tras la instalación, antes de la repoblación del edificio y cuando se realice la reubicación.
11. Este calefactor debe ser inspeccionado por una persona calificada en mantenimiento para determinar que su funcionamiento es correcto antes de la repoblación del edificio y por lo menos con frecuencia anual.
12. Siempre apague el suministro de gas al calefactor si no se utilizará para la calefacción de ganado.
13. Este calefactor está cableado con una conexión a tierra para protegerlo del peligro de descarga eléctrica. Puede ser que esté equipado con un enchufe de tres clavijas (de conexión a tierra). Independientemente del modelo del calefactor, se debe conectar directamente a un suministro eléctrico cableado y conectado a tierra adecuadamente. Si no se usa un suministro eléctrico conectado a tierra adecuadamente, se podría causar una descarga eléctrica, lesiones o la muerte.
14. Los calefactores de encendido directo harán hasta tres pruebas de encendido. Si no se logra el encendido, el sistema de control bloqueará la válvula de control de gas. Si huele gas después del bloqueo del sistema, cierre de inmediato todas las válvulas de suministro de combustible. No vuelva a encender el calefactor hasta que esté seguro de que todo el gas que se pudo haber acumulado se haya ido. En cualquier caso, espere por lo menos 5 minutos para volver a encenderlo.
15. En una instalación de tipo colgante, los tubos rígidos o de cobre conectados directamente al calefactor pueden ocasionar fugas de gas durante el movimiento. Por lo tanto, no se deben utilizar. Utilice exclusivamente conjuntos de manguera de gas que estén clasificados y aprobados para gas PL y gas natural en una instalación de tipo colgante.
16. Las instalaciones que no utilicen la manguera de gas suministrada con este artefacto se deben conectar dimensionalmente según la Norma nacional estadounidense sobre tuberías de hierro y acero forjado B36/10-1970. (No se deben utilizar tubos de aluminio). Cuando se usen tubos de cobre para transportar gas natural, se deben estañar internamente o bien deben recibir un tratamiento equivalente para resistir el azufre.

Instrucciones generales de instalación



ADVERTENCIA

Peligro de quemaduras

Puede causar daños materiales, lesiones graves o la muerte.

1. Desconecte el suministro de energía antes del cableado para prevenir una descarga eléctrica o daños al equipo.
2. A fin de evitar la acumulación peligrosa de gas combustible, apague el suministro de gas en la válvula de servicio del artefacto antes de comenzar la instalación y lleve a cabo una prueba de fugas de gas después de realizada la instalación.
3. No fuerce la perilla de control de gas. Use solamente la mano para girar esta perilla. Nunca use herramientas. Si la perilla no funciona manualmente, el control debe ser reemplazado por un técnico de servicio calificado. El uso de fuerza o un intento de reparación puede provocar un incendio o una explosión.

1. Lea todas las precauciones de seguridad y siga las recomendaciones de L.B. White cuando instale este calefactor. Si durante la instalación o la reubicación del calefactor sospecha que una pieza está dañada o defectuosa, llame a un taller de mantenimiento calificado para que la repare o reemplace.
2. Asegúrese de que el calefactor esté correctamente posicionado antes del uso y de que esté colgado a nivel. Respete todas las distancias seguras mínimas del calefactor a los materiales combustibles más cercanos. Las distancias seguras mínimas se indican en la placa de datos del calefactor y en la página 4 del presente manual.
3. El calefactor se puede instalar en interiores o en exteriores. Si se instala en exteriores, use solamente los conductos suministrados en el kit para montaje en exteriores.
4. En el caso de la instalación en exteriores, el calefactor se debe instalar por lo menos 18 pulgadas sobre el suelo o bien a una altura que impida que la nieve obstruya la entrada de aire del calefactor.
5. El calefactor debe tener instalado el regulador de gas apropiado para la aplicación. Se debe conectar un regulador al suministro de gas de modo que la presión de gas en la entrada a la válvula de gas esté regulada dentro del rango especificado en la placa de datos en todo momento. Comuníquese con su proveedor de gas o con L.B. White Co., Inc. si tiene alguna pregunta.
6. El regulador de gas del calefactor (con la válvula de descarga de presión) debe instalarse fuera del

edificio. Todo regulador que se encuentre dentro del edificio debe ventilarse adecuadamente al exterior. Siempre se aplican los códigos locales, estatales y nacionales a la instalación del regulador.

7. Todos los reguladores de la presión de gas se deben instalar en estricto cumplimiento de las instrucciones de seguridad del fabricante. Estas instrucciones se incluyen con cada regulador.
8. Asegúrese de que todos los accesorios que se envíen con el calefactor se hayan instalado. Esto se aplica a los desviadores del aire, la manguera, los reguladores, etc.
9. Asegúrese de instalar un colector de sedimentos en la entrada de gas para impedir el ingreso en la válvula de gas de materiales extraños (compuesto de tubería, virutas e incrustaciones). Si ingresan residuos en la válvula de gas, se puede producir una falla en la válvula que ocasione una pérdida de gas importante, que a su vez podría ocasionar un incendio o explosión, con la consiguiente pérdida de productos, pérdidas materiales e incluso la muerte. Un colector de sedimentos correctamente instalado impedirá el ingreso de materiales extraños en la válvula de gas y protegerá el buen funcionamiento de ese importante componente de seguridad.
10. Cualquier calefactor conectado a un sistema de tubería debe tener una válvula de cierre manual aprobada y accesible a una distancia máxima de 6 pies del calefactor.
11. Verifique todas las conexiones en busca de fugas de gas. La prueba de fugas de gas se realiza de la siguiente manera:
 - Compruebe todas las conexiones de tuberías, conexiones de manguera, conectores y adaptadores contracorriente del control de gas con detectores de fugas de gas aprobados.



ADVERTENCIA

Peligro de incendio y explosión

- No utilice llama al descubierto (fósforos, sopletes, velas, etc.) para comprobar si hay fugas de gas.
- Use únicamente detectores de fugas de gas aprobados.
- No seguir esta advertencia puede provocar incendios o explosiones.
- Los incendios o las explosiones pueden producir daños materiales, lesiones o la muerte.

- En caso de que se detecte una fuga de gas, verifique el estado de limpieza de los componentes involucrados y la aplicación adecuada del compuesto de tubería antes de ajustar más.

- Ajuste las conexiones de gas según sea necesario para detener la fuga.
 - Luego de verificar todas las conexiones y detener las fugas, encienda el quemador principal.
 - Manténgase lejos mientras se enciende el quemador principal para evitar lesiones causadas por fugas escondidas que podrían provocar reignición.
 - Con el quemador principal funcionando, verifique todas las conexiones, conexiones de mangueras, conectores y juntas además de la entrada de la válvula de control de gas y las conexiones de salida con detectores de fugas de gas aprobados.
 - En caso de que se detecte una fuga de gas, verifique el estado de limpieza de las roscas de los componentes involucrados y la aplicación adecuada del compuesto de tubería antes de ajustar más.
 - Ajuste la conexión de gas según sea necesario para detener la fuga.
 - Si fuera necesario, reemplace las piezas o componentes pertinentes si no puede detenerse la fuga.
 - Asegúrese de que todas las fugas sean identificadas y reparadas antes de proceder.
12. Luego de instalado el calefactor, un taller de mantenimiento calificado debe verificar que se opere con la presión de gas adecuada.
 13. Encienda según las instrucciones que se encuentran en el calefactor o en el manual del usuario.
 14. Es muy importante que se use la línea de suministro de gas del tamaño y del tipo adecuados para garantizar el funcionamiento correcto del calefactor. Comuníquese con su proveedor de gas combustible para determinar el tamaño adecuado de la línea y su correcta instalación.
 15. Este calefactor se puede configurar para usar con recuperación del vapor de gas PL o gas natural. Consulte la configuración de gas del calefactor específico en la placa de datos, que se encuentra en el interior de la puerta del extremo del quemador o del extremo del motor. No use este calefactor en un sistema o aplicación de recuperación de líquido de gas PL. En caso de duda, comuníquese con L.B. White Co., Inc.
 16. Eventualmente, como ocurre con todos los dispositivos eléctricos/mecánicos, el termostato puede fallar. La falla del termostato puede ocasionar una condición de calentamiento insuficiente o recalentamiento que puede dañar productos críticos y/u ocasionar lesiones a los animales o su muerte. Los animales y/o productos críticos deben estar protegidos por un sistema de control de respaldo que limite las temperaturas altas y bajas y también active las alarmas adecuadas.
 17. Tómese el tiempo para aprender a operar y mantener el calefactor con el manual del usuario. Asegúrese de que conoce cómo cerrar el suministro de gas al edificio y también al calefactor individual. Contáctese con su proveedor de gas combustible si tiene alguna duda.
 18. Cualquier defecto que halle en la realización de alguno de los procedimientos de mantenimiento debe eliminarse y las partes defectuosas deben reemplazarse de inmediato. El calefactor debe ser probado nuevamente por personal de servicio calificado antes de volver a ponerlo en uso.
 19. No supere el valor de entrada estampado en la placa de datos del calefactor. No supere la presión del colector del quemador indicada en la placa de datos. No use un tamaño de orificio distinto del que se indica para el valor de entrada específico de este calefactor, la configuración de tipo de combustible y la altitud.

Instrucciones de instalación de los desviadores del aire

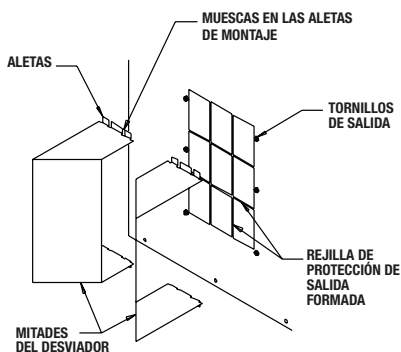
(Se deben pedir por separado)

(El aspecto de la salida en el calefactor puede variar según el modelo).

1. Se pueden instalar desviadores del aire en la salida del calefactor para manipular la dirección del aire calentado al salir del calefactor. Las opciones de instalación incluyen instalar los desviadores de modo tal de distribuir el aire de manera amplia en dos trayectorias de 45 grados o enfocar el flujo de aire en una sola dirección de 45 grados. Ver Fig. 1.
2. Los desviadores del aire pueden requerir formado manual antes de la instalación. Forme dobleces de 90 grados utilizando las perforaciones suministradas. Los desviadores deberían adquirir la forma que se muestra en la Fig. 1.
3. Las aletas de los desviadores del aire que se encuentran en cada mitad ingresarán en la salida del soplador entre el interior del conjunto de la caja y la salida del recinto del soplador. Si las aletas rarruradas no ingresan en la salida del soplador, afloje (no extraiga) los tornillos de la salida del soplador. Al hacer esto, se proporciona una separación en la cual se pueden insertar las aletas. Vuelva a ajustar los tornillos después de la instalación.

FIG. 1

(Instalación típica que permite dos direcciones de movimiento del aire).



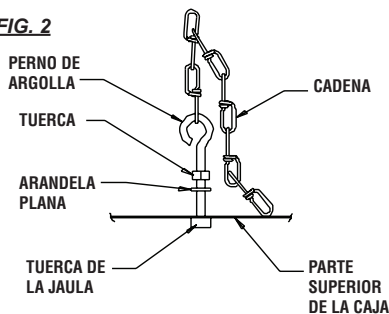
Instalaciones alternativas de los desviadores del aire



Instrucciones de colgado

1. Arme los pernos de argolla y la cadena según la Fig. 2. Ajuste bien la ferretería. **Los cáncamos y la cadena se deben pedir por separado.**

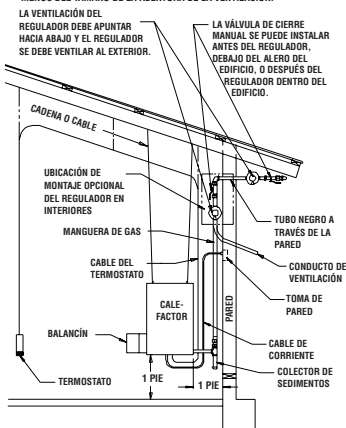
FIG. 2



2. Asegúrese de que el calefactor esté bien ajustado y colgado a nivel. (Verifique a lo ancho y a lo largo).
3. La Fig. 3 muestra una instalación típica en interiores. En cualquier edificio en el que se confinen animales, se debe asegurar que el calefactor esté alojado del ganado, a fin de evitar que el ganado lo golpee, lo arranque de su montaje, o dañe el calefactor o su línea de suministro de gas de cualquier manera. Asegúrese de respetar las distancias mínimas a los materiales combustibles que se indican en la sección de especificaciones del presente manual y en el calefactor mismo.

FIG. 3

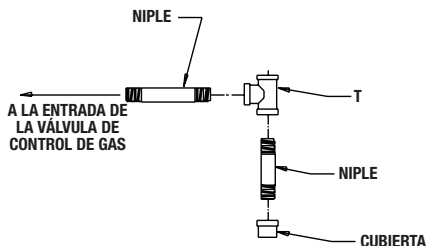
NOTA: LOS REGULADORES SIEMPRE SE DEBEN MONTAR EN EXTERIORES. SI LAS CIRCUNSTANCIAS OBLIGAN A INSTALAR EL REGULADOR EN INTERIORES, SE DEBE VENTILAR AL EXTERIOR CON UN CONDUCTO DE VENTILACIÓN POR LO MENOS DEL TAMAÑO DE LA ABERTURA DE LA VENTILACIÓN.



Conjunto del colector de sedimentos

Arme el conector en T, los nipples y la cubierta, y ajústelos bien. Ver Fig. 4. El conjunto del colector de sedimentos siempre se debe montar en posición vertical. Asegúrese de que todas las conexiones se realicen con un compuesto para roscas de tubería que sea resistente tanto al gas PL como al gas natural. Verifique todas las conexiones en busca de fugas de gas mediante detectores de fugas de gas aprobados.

FIG. 4



Conjunto de válvula de cierre manual, manguera y regulador (Se debe pedir por separado)

1. Siempre use un compuesto para roscas de tubería aprobado que sea adecuado para el uso con gas PL o gas natural en las conexiones roscadas.
2. Arme los componentes según la Fig. 5. Esta vista muestra solamente el armado general de los componentes. El regulador siempre se debe montar de modo que su ventilación siempre apunte hacia abajo, independientemente de la ubicación en el regulador.

Nota: Los reguladores ubicados en interiores se deben ventilar al exterior. Consulte NFPA54, Código nacional de gas combustible, CAN-B1491, CAN-B1492, y los códigos locales, según corresponda.

3. Ajuste bien todas las conexiones.
4. Verifique todas las conexiones en busca de fugas de gas mediante detectores de fugas de gas aprobados.

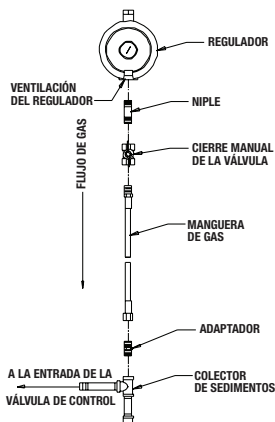


FIG. 5

Termostatos

(Se deben pedir por separado)



ADVERTENCIA

Peligro de descarga eléctrica

- Desconecte el suministro eléctrico antes de conectar el termostato al calefactor.
- No tener en cuenta esta advertencia podría causar una descarga eléctrica que provoque lesiones o la muerte.

1. Para conectar el kit de termostato con tapón en serie: (AW060/100/250 SOLAMENTE)

- a. Conecte el cable de corriente del calefactor al lado hembra del enchufe en el extremo del cable de termostato del kit.
- b. Enchufe el lado macho del tapón en serie del cable de termostato del kit en una toma eléctrica de tres cables (con conexión a tierra).

2. Para conectar el kit de termostato cableado directo a la caja de control del calefactor:

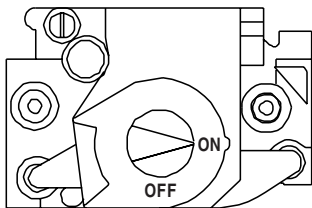
- a. Abra la caja de control.
- b. Quite el cable amarillo conectado entre la salida de 24 voltios del transformador y el terminal W del control de encendido.
- c. Quite el tapón de plástico que se encuentra en la parte posterior o inferior de la caja de control. Pase el cableado del kit de termostato a través de este orificio.
- d. Conecte el cable negro del kit de termostato al terminal de salida de 24 voltios del transformador.
- e. Conecte el cable blanco del kit de termostato al terminal W del control de encendido.
- f. Instale la válvula de descarga de presión (suministrada en el conjunto de cables del termostato) alrededor del cable en el orificio de entrada de la caja de control.
- g. Cierre y trabe la caja de control.
- h. Encienda el calefactor y verifique que funcione adecuadamente.

Instrucciones de puesta en marcha

Siga los pasos 1-6 en la puesta en marcha inicial luego de la instalación del calefactor realizada por una persona calificada en mantenimiento de calefactores a gas. Para la puesta en marcha normal, simplemente gire el control del termostato por encima de la temperatura ambiente. El calefactor se encenderá.

1. Abra todas las válvulas de suministro de combustible manuales y verifique que no haya fugas de gas mediante detectores de fuga aprobados. La válvula de control de gas del calefactor cuenta con una característica de cierre manual incorporada en el conjunto de la válvula y puede encontrarse bajo una tapa de metal. Quite la tapa de metal (de correspondencia) y asegúrese de que el indicador de la válvula esté girado a la posición ON. Vuelva a colocar la tapa de metal. Ver Fig. 6.

FIG. 6



2. Conecte el cable eléctrico a una toma eléctrica aprobada.
3. Coloque el control del termostato en la temperatura ambiente deseada.
4. Este calefactor incluye un módulo de control de encendido de superficie caliente (HSI) con el fin de controlar el ritmo del proceso de encendido del calefactor además de monitorear las funciones de seguridad. El módulo HSI se encuentra dentro del gabinete de control.

En el módulo HSI hay un diodo emisor de luz roja (LED). Este LED indica el estado del calefactor. El LED se puede ver desde afuera del gabinete de control a través del visor de plástico.

Una luz constante del LED indica que el calefactor está funcionando correctamente. Cualquier patrón de destellos del LED indica que existe un problema en el funcionamiento del calefactor.

Consulte la calcomanía de resolución de problemas que se encuentra en el panel de acceso en el extremo del motor del ventilador para detectar el problema. El calefactor debe ser mantenido o reparado exclusivamente por personal calificado y adecuadamente capacitado.

5. Ante una demanda de calor, el motor se pondrá en marcha y funcionará durante cinco (5) segundos, y luego se detendrá. Este pre-purgado es un mecanismo de seguridad y una característica operativa normal antes de que se produzca el encendido. Cuando se haya detenido el motor, el encendedor se calentará (aproximadamente 17 segundos). Después del tiempo de calentamiento del encendedor, el motor se pondrá en marcha nuevamente y poco tiempo después se producirá el encendido.

NOTA: Es normal que quede aire atrapado en la manguera de gas en instalaciones nuevas. El calefactor puede intentar más de una prueba de encendido antes de que el aire finalmente se purgue de la línea y se produzca el encendido.

6. El control HSI hará hasta tres pruebas de encendido. Cada prueba de encendido llevará unos 20 segundos. Las dos primeras pruebas de encendido se realizarán en un plazo de 40 segundos si no se logra el encendido. Después de la segunda prueba, comenzará un período de espera de 15 minutos. Una vez transcurridos esos 15 minutos, se realizará la tercera y última prueba de encendido. Si no se logra el encendido con esta última prueba, el sistema se bloqueará y el LED exhibirá un patrón de tres destellos.

Instrucciones de apagado

Si el calefactor se apagará para limpieza, mantenimiento o reparación, siga los pasos 1-4. De lo contrario, simplemente gire el control del termostato a la posición OFF o sin calor para el apagado estándar.

1. Cierre todas las válvulas de suministro de combustible manuales.
2. Con el calefactor encendido, permita que quemé el exceso de combustible que quede en la manguera de suministro de gas.
3. Gire el control del termostato a la posición OFF o sin calor.
4. Desconecte el calefactor del suministro eléctrico.

Potencia calorífica variable

1. Algunos modelos de calefactores a gas propano (PL) o a gas natural tienen una válvula de mariposa para modificar la potencia calorífica, que se encuentra entre la válvula de control de gas y el colector de gas. Ver Fig. 7. **ESTA NO ES UNA VÁLVULA DE CIERRE DE GAS MANUAL.**
2. La válvula de mariposa se puede ajustar para entregar el calor mínimo o el calor máximo. Cuando la manija de la válvula de mariposa está paralela al flujo de gas, la válvula está completamente abierta para entregar la potencia calorífica máxima. La válvula de mariposa se puede ajustar a la potencia calorífica mínima girando la manija 90° al flujo de gas o a cualquier posición entre las configuraciones máxima y mínima. (Ver Fig. 8).

FIG. 7

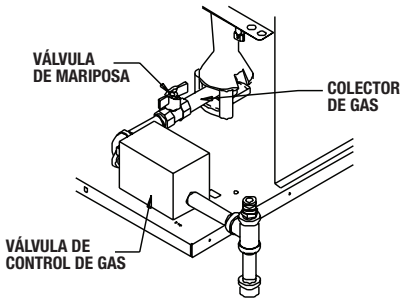
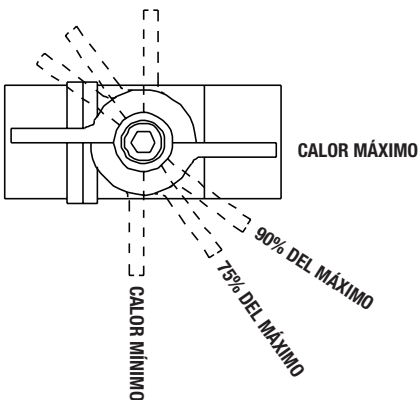


FIG. 8



Instrucciones de limpieza

ADVERTENCIA

Peligro de incendio, quemaduras y explosión

- Este calefactor contiene componentes eléctricos y mecánicos en los sistemas de gestión del gas, seguridad y flujo de aire.
- Estos componentes pueden dejar de funcionar o fallar debido a polvo, suciedad, desgaste, envejecimiento, o la atmósfera corrosiva de un edificio en el que se confinan animales.
- La limpieza e inspección periódicas, así como un mantenimiento adecuado, son fundamentales para prevenir lesiones graves o daños materiales.

1. Antes de la limpieza, cierre la válvula de suministro de combustible al calefactor y desconecte el suministro eléctrico.
2. Se debe quitar el polvo o la suciedad del calefactor periódicamente:
 - a. Después de cada rebaño o antes de la repoblación del edificio, limpie el interior y el exterior del calefactor con aire comprimido o un cepillo suave. En este momento, quite el polvo de la caja del motor para impedir que se sobrecaliente y que apague el calefactor.
 - b. Realice una limpieza profunda del calefactor por lo menos una vez al año. En este momento, extraiga el conjunto del ventilador y el motor y quite el polvo de la turbina con un cepillo o mediante soplado, con especial atención en cada aspa. Además, asegúrese de que los puertos venturi de entrada de aire del quemador y el cuello de la pieza fundida estén libres de acumulación de polvo, y de que el área entre la parte superior de la cámara de calor y la caja interna también esté libre de polvo.
 - c. Cuando lave con agua, respete la advertencia que se encuentra en estas instrucciones de limpieza. La misma advertencia se suministra en el calefactor.

ADVERTENCIA

Este calefactor se puede lavar solamente en el conjunto de la caja externa siempre y cuando:

- A. El calefactor esté desconectado del suministro eléctrico.
- B. Todos los paneles de acceso estén bien cerrados.
- C. La boquilla rociadora de agua no descargue en un radio de 6 pies del calefactor.
- D. La presión de agua no supere 45 PSIG durante 10 segundos a cada lado del calefactor.
- E. El calefactor no se vuelva a conectar al suministro eléctrico por lo menos durante 1 hora o hasta que se seque por completo.

La limpieza inadecuada del calefactor puede causar lesiones graves o daños materiales debido al agua y/o la solución de limpieza:

1. En los componentes, conexiones y cables eléctricos, pueden causar una descarga eléctrica o fallas en los componentes.
2. En los componentes de control de gas, pueden causar corrosión, que a su vez puede ocasionar fugas de gas e incendios o explosiones por las fugas.

Limpie los componentes internos del calefactor con un cepillo o paño suave y seco, o con aire comprimido.

Instrucciones de mantenimiento

1. Pida a su proveedor de gas que revise anualmente todas las tuberías de gas para detectar fugas o restricciones en las líneas de gas. También en este momento, pida a su proveedor de gas que limpie el colector de sedimentos para eliminar residuos que puedan haberse acumulado.
2. El área alrededor del calefactor debe mantenerse limpia y libre de materiales combustibles, gasolina, y otros líquidos y vapores inflamables.
3. Los reguladores se pueden desgastar y pueden no funcionar adecuadamente. Pida a su proveedor de gas que verifique los códigos de fecha que figuran en todos los reguladores instalados y las presiones que llegan al artefacto para asegurarse de que el regulador sea confiable.
4. Los reguladores deben revisarse periódicamente para asegurarse de que sus ventilaciones no estén obstruidas. Los residuos, insectos, nidos de insectos, la nieve o el hielo depositados o acumulados en un regulador pueden obstruir las ventilaciones y causar presión excesiva en el artefacto.
5. Verifique que sean legibles todas las marcas del calefactor (advertencias, puesta en marcha/apagado, cableado eléctrico, diagramas, etc.). Asegúrese de que no estén cortadas, arrancadas o dañadas de otro modo. Comuníquese de inmediato con L.B. White Co., Inc. para reemplazar las marcas dañadas. Las marcas están disponibles sin costo.
6. Inspeccione las mangueras de gas para detectar mellas, cortes o conectores corroídos. **Si encuentra algún defecto, reemplace el conjunto completo de la manguera de gas.**
7. Inspeccione las conexiones eléctricas del calefactor. Reemplace cualquier terminal corroído.

Instrucciones de servicio

ADVERTENCIA

Peligro de quemaduras

- Las superficies del calefactor quedan calientes durante un tiempo luego de que se apaga.
- Deje que el calefactor se enfríe antes de realizar tareas de mantenimiento o limpieza.
- No tener en cuenta esta advertencia podría causar quemaduras.

ADVERTENCIA

Peligro de incendio y explosión

- No desarme ni intente reparar ningún componente del calefactor ni los componentes del tren de gas, tales como válvulas o mangueras.
- Todas las piezas componentes deben reemplazarse si se hallasen defectuosas.
- No seguir esta advertencia puede ocasionar incendios o explosiones que produzcan daños materiales, lesiones o la muerte.

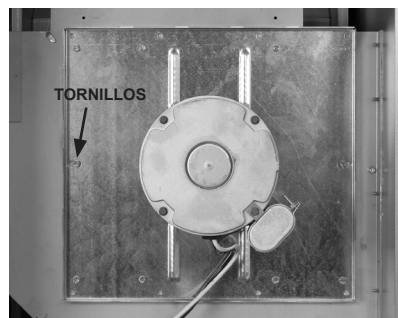
1. Cierre la válvula de suministro de combustible al calefactor y desconecte el suministro eléctrico antes de realizar el mantenimiento, a menos que sea necesario tener la válvula abierta y el suministro eléctrico conectado para su procedimiento de mantenimiento.
2. Limpie el orificio del calefactor con aire comprimido o un paño suave y seco. No use limas, taladros, raspadores, etc. para limpiar el orificio. Esto podría agrandar el orificio y causar problemas de combustión o encendido. Reemplace el orificio si no puede limpiarse adecuadamente.
3. El interruptor de límite superior se puede probar de la siguiente manera:
 - Desconecte los cables en el componente y puentéelos entre sí.
 - Vuelva a conectar el suministro eléctrico y abra las válvulas de suministro de combustible.
 - Si el calefactor se enciende, el componente es defectuoso y se debe reemplazar.
 - Si la pieza es defectuosa, no deje colocado el puente ni haga funcionar el calefactor. Reemplace la pieza de inmediato.
 - Un método alternativo para verificar los componentes es realizar una verificación de continuidad.

4. El interruptor de comprobación de aire no se debe puentear. De hacerlo, el control de encendido no permitirá el funcionamiento del calefactor. Verifique la continuidad del interruptor de comprobación de aire. Si el interruptor es defectuoso, reemplácelo.
5. Abra el panel respectivo para acceder a los componentes relacionados con el ventilador o el quemador. Abra la caja de control para acceder al control de encendido y al transformador.
6. Cuando reemplace componentes, desconecte los cables eléctricos correspondientes.
7. Para volver a armar, invierta el procedimiento de mantenimiento respectivo. Asegúrese de que las conexiones estén bien ajustadas.
8. Después del mantenimiento, encienda el calefactor para asegurarse de que funcione adecuadamente y verifique que no haya fugas de gas.

Conjunto del motor y el ventilador

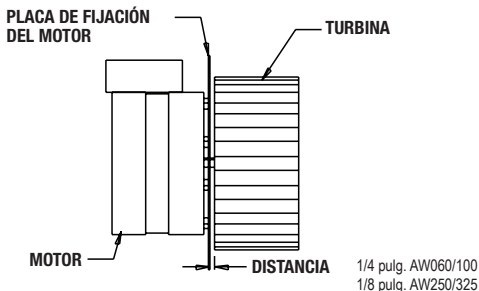
1. Quite los tornillos de la placa de fijación del motor y levante el conjunto del ventilador y el motor del recinto. Ver Fig. 9. (Se muestra AW250)
2. Afloje los tornillos de fijación de cabeza cuadrada de la turbina.
3. Extraiga la turbina del eje del motor. Si es necesario, use un extractor de ruedas.
4. Quite las cuatro (4) tuercas que fijan el motor a la placa de fijación.

FIG. 9



NOTAS:

- a. El espacio de la turbina a la placa de montaje del motor se debe ajustar a la distancia especificada más adelante antes de ajustar la turbina al eje del motor. Ver Fig. 10.
- b. Asegúrese de que los tornillos de fijación del ventilador estén contra las caras planas del eje del motor al ajustarlos.

FIG. 10

Interruptor de comprobación de aire

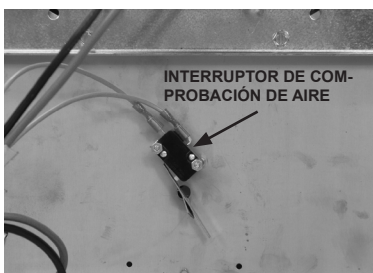
El interruptor de comprobación de aire se encuentra en el recinto del ventilador en el extremo del motor del calefactor. Debe funcionar correctamente para posibilitar un ciclo de encendido. Si los contactos del interruptor de comprobación de aire se cierran antes de que el control de encendido ponga en marcha el motor del ventilador, o no se cierran ante una demanda de calor después de que se pone en marcha el motor del ventilador, no se producirá el encendido.

AW060/100/250 (Fig. 11a):

- Quite los dos (2) tornillos de la lámina metálica que sostiene el interruptor con soporte al recinto del soplador.
- Quite el conjunto girando el interruptor de modo que la paleta del brazo interruptor se pueda extraer a través del orificio alargado que se encuentra en el lateral del recinto del ventilador.

AW325 (Fig. 11b):

- Quite las tuercas de montaje y deslice el interruptor de los tornillos de montaje.

FIG. 11 a.**FIG. 11 b.**

Obturador (vela) (AW325)

El obturador, ubicado dentro del recinto en la descarga del soplador, funciona en conjunto con el interruptor de comprobación de aire para asegurar que el ventilador y el motor hayan alcanzado el flujo de aire adecuado antes de permitir que continúe un ciclo de encendido. Ver Fig. 12.

Si el obturador está agarrotado, su brazo no se conectará con el interruptor de comprobación de aire, y no se producirá el encendido.

Asegúrese de que el obturador se levante libremente, que no se agarrote en el recinto del ventilador y que esté libre de polvo y otros residuos.

FIG. 12

Encendedor

1. La Fig. 13 muestra el desarmado.
2. Durante el rearmado, ajuste el tornillo de montaje del encendedor. (No lo ajuste demasiado).

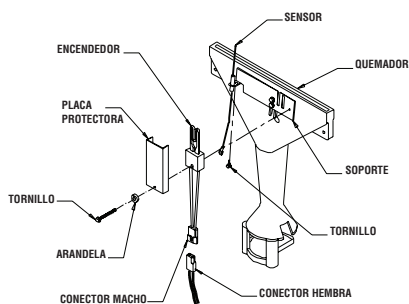
Pruebas

-- Realice una verificación de ohmios entre los cables del encendedor en frío. Aunque las lecturas de ohmios presentarán variaciones, se encontrarán en general entre 40 y 70 ohmios. Si la lectura muestra sobrecarga o resistencia infinita, esto significa que el encendedor es defectuoso.

Sensor de llama

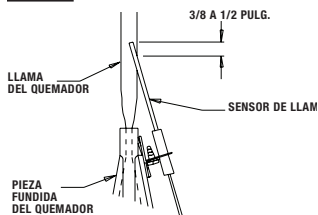
1. Quite el sensor de su abrazadera de montaje. Ver Fig. 13. Limpie la varilla del sensor con tela de lija o virulana. Frótelas bien para eliminar la acumulación de polvo, suciedad y óxido.

FIG. 13



2. Verifique la base aislante del sensor para detectar grietas. Si encuentra grietas, reemplace el sensor.
3. Posicione el sensor de llama como se muestra en la Fig. 14.

FIG. 14



Interruptor de límite superior

⚠️ ADVERTENCIA

Peligro de quemaduras

- No haga funcionar el calefactor con el interruptor de límite superior desactivado.
- La operación del calefactor con el interruptor de límite superior desactivado puede ocasionar recalentamiento, que puede derivar en un incendio, con la consecuencia de daños en el calefactor, daños en el edificio o pérdida de ganado.

Este calefactor emplea un interruptor de límite superior con fines de protección contra el sobrecalentamiento. El interruptor se encuentra en la cámara de calor (ver Fig. 15). Está conectado entre el control de encendido y la válvula de control de gas.

El interruptor tiene contactos normalmente cerrados. Si se produce una condición de recalentamiento, los contactos del interruptor se abren, y por lo tanto abren el circuito a la válvula de control de gas. El interruptor de límite superior se debe probar como mínimo una vez al año cuando se realiza la limpieza profunda del calefactor.

1. Quite el interruptor. Sosteniendo el interruptor por una de sus patas de montaje, aplique una llama pequeña solamente a la zona de detección de la parte posterior del interruptor. Ver Fig. 16. No derrita el recinto de plástico del interruptor durante esta prueba.
2. En un plazo de un minuto, debería escuchar un ruido proveniente del interruptor, que indica que los contactos se han abierto. Verifique la falta de continuidad eléctrica entre los terminales del interruptor para verificar que los contactos se hayan abierto.

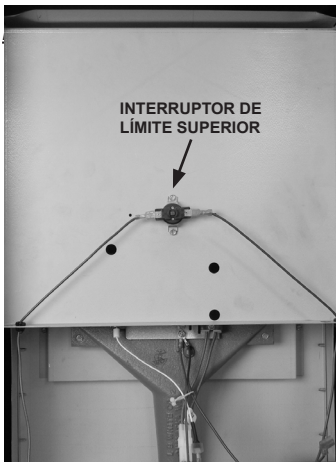
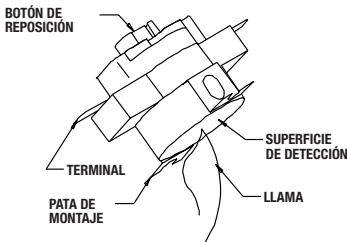


FIG. 16

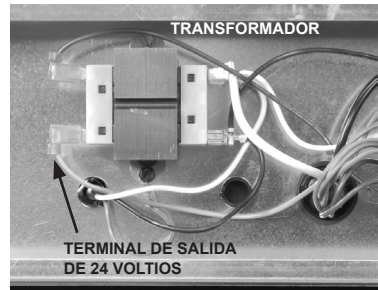


Transformador

El transformador recibe 120 voltios y los reduce a 24 voltios. Los 24 voltios se suministran al control de encendido para comenzar el proceso de encendido. Ver Fig. 17.

-- Si no se suministran 24 voltios del transformador al control de encendido, el calefactor no funcionará.

FIG. 17



Relé (AW325)

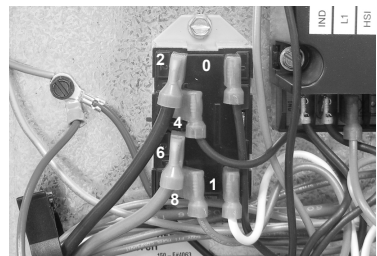
El relé es responsable de suministrar energía al motor, y tiene números adyacentes a los terminales macho que hacen referencia al voltaje recibido y se suministran para la resolución de problemas.

Consulte la conexión del cableado y las verificaciones de voltaje en la Fig. 18 y en la siguiente tabla.

Terminal	Función
2	115 voltios del relé al motor
4	115 voltios al relé del suministro de energía
6	115 voltios del relé al motor
8	115 voltios al relé del suministro de energía
0	115 voltios del control de encendido al relé para el cierre de la bobina del relé
1	Neutro para el relé

Si el relé recibe 115 voltios en el terminal 0 del control de encendido, además de voltaje entrante del suministro de energía en los terminales 4 y 8, pero no se suministra voltaje al motor de los terminales 2 y 6, entonces el relé es defectuoso.

FIG. 18



Orificio del quemador y válvula de control de gas

- Quite lo siguiente:
 - La manguera y el colector de sedimentos del calefactor.
 - El cojinete de plástico del orificio de entrada de gas (de corresponder). Ver Fig. 19.
 - Los tornillos del soporte en la entrada de la válvula de control de gas. Ver Fig. 19.
 - El perno de sujeción del quemador de la parte inferior de la base. Ver Fig. 20.
- Gire el conjunto de válvula/colector según sea necesario para que el orificio del colector se aleje del puerto venturi de la pieza fundida del quemador. Ver Fig. 21.

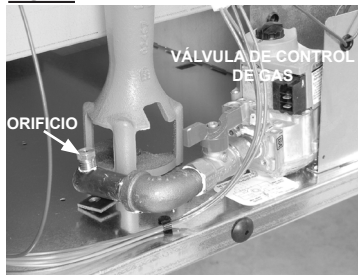
FIG. 19



FIG. 20



FIG. 21



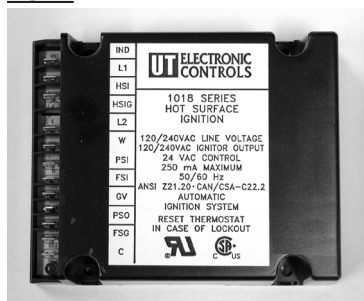
Control de encendido

El control envía y recibe voltajes para operar los componentes o verificar su operación. Consulte la siguiente información y la Fig. 22 para comprender las designaciones de los terminales del control de encendido si realiza verificaciones de voltaje en el control.

- IND:** 115 VAC del control al motor
L1: 115 VAC del suministro de energía al control
HSI: 115 VAC del control al encendedor de superficie caliente
HSIG: Retorno neutro del encendedor
L2: Neutro del control
W: Entrada de 24 VAC del transformador (sin este voltaje, el control de encendido no funcionará)
PSI: 24 VAC del control al interruptor de comprobación de aire
FSI: Microamperaje del control al sensor de llama
GV: 24 VAC del control al límite superior y luego a la válvula de control de gas
PSO: Retorno de 24 VAC del interruptor de comprobación de aire al control
FSG: Toma de tierra del sensor de llama
C: Toma de tierra para el control

También consulte "Secuencia de operación" en este manual según sea necesario para comprender el funcionamiento del control de encendido durante una demanda de calor.

FIG. 22



Verificaciones de la presión de gas



ADVERTENCIA

- No desarme la válvula de control de gas.
- No intente reemplazar ningún componente de la válvula de control de gas.
- La válvula de control de gas se debe reemplazar si se produce algún daño físico en el conjunto de la válvula.
- No seguir esta advertencia ocasionará incendios o explosiones que producirán daños materiales, lesiones o la muerte.

- A continuación se explica un procedimiento típico que se debe seguir para verificar las presiones de gas.
- Las presiones de gas serán distintas según el tipo de combustible.
- Consulte en la placa de datos del calefactor o en la página 4 de este manual las presiones específicas que se deben utilizar en relación con este procedimiento.
- La presión de gas medida en la entrada a la válvula de gas es la presión de entrada, y la presión de gas medida en la salida de la válvula de gas es la presión del colector del quemador.

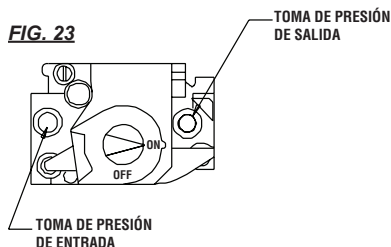
A. Preparación

1. Obtenga dos manómetros con capacidad para leer hasta 35 pulg. de columna de agua.
2. Desconecte el calefactor del suministro eléctrico y cierre la válvula de suministro de combustible a la entrada del calefactor.
3. Abra el panel de acceso al quemador.
4. Cepille o sople todo polvo o suciedad que haya en la válvula de control de gas o cerca de esta.

B. Instalación de los manómetros

1. Ubique las tomas de presión de entrada y salida (ver Fig. 23). Quite los tapones de presión con una llave allen de 3/16 pulg.

FIG. 23



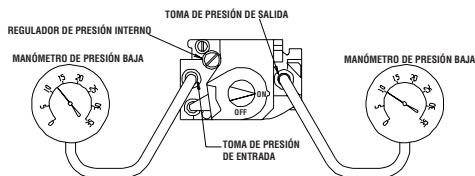
2. Conecte un manómetro a cada toma de presión de manera segura.

3. Abra las válvulas de suministro de combustible al calefactor y vuelva a conectar el suministro eléctrico.

4. Encienda el calefactor.

C. Lectura de presiones

1. Con el calefactor funcionando, los manómetros deberían decir las presiones especificadas en la placa de datos.
2. ¿Las lecturas en los manómetros de entrada y salida concuerdan con las que se especifican en la placa de datos? Si así fuera, entonces no se necesitan más verificaciones ni ajustes. Siga a la sección D.
3. Si las presiones de entrada no concuerdan con las que se especifican en la placa de datos, entonces el regulador que controla la presión de gas al calefactor debe ajustarse.
4. Si las presiones de entrada son correctas y la presión del colector del quemador no concuerda con la que se especifica en la placa de datos, entonces el regulador de presión interno de la válvula de control de gas debe ajustarse. La Fig. 24 muestra la ubicación del regulador.

FIG. 24

EL EJEMPLO MUESTRA LA PRESIÓN PARA EL GAS PROPANO.
SIEMPRE CONSULTE LA PRESIÓN EN LA PLACA DE DATOS

D. Finalización

1. Una vez que las presiones adecuadas de entrada y del colector del quemador han sido confirmadas y/o ajustadas de manera adecuada, cierre la válvula de suministro de combustible al calefactor y deje que el calefactor quemé el resto de gas en la manguera de suministro.
2. Desconecte el calefactor de su suministro eléctrico.
3. Quite los manómetros y las mangueras de conexión.
4. Coloque los tapones de presión y ajústelos bien. Verifique que no existan fugas de gas.

Guía de resolución de problemas

LEA TODA ESTA SECCIÓN ANTES DE COMENZAR A RESOLVER PROBLEMAS



ADVERTENCIA Peligro de descarga eléctrica y quemaduras

- Para resolver cualquier problema que presente este sistema, podría ser necesario operar la unidad con voltaje de línea presente y el gas encendido. Hágalo con extrema precaución.
- No tener en cuenta esta advertencia podría causar daños materiales, lesiones o la muerte.

Los diagramas de flujo para la resolución de problemas que se presentan en las páginas siguientes proporcionan procedimientos sistemáticos para aislar problemas en el equipo. Los diagramas están destinados a PERSONAS CALIFICADAS EN MANTENIMIENTO DE CALEFACTORES A GAS. **NO REALICE MANTENIMIENTO AL CALEFACTOR A MENOS QUE HAYA RECIBIDO LA CAPACITACIÓN ADECUADA.**

SE NECESITA EQUIPOS DE PRUEBA

Se necesitarán los siguientes equipos de prueba para resolver cualquier problema que presente este sistema con el mínimo tiempo y esfuerzo.

- **Multímetro digital** - para medir voltaje CA y CC, y resistencia.
- **Manómetro de presión baja** (Pieza N° 00764) - para verificar las presiones de entrada y salida de la válvula de control de gas con respecto a los valores de la placa de datos.

PREPARACIÓN INICIAL

- Inspeccione el equipo visualmente para detectar daños evidentes.
- Verifique todo el cableado para detectar conexiones sueltas y desgaste en el aislamiento.

Consulte la secuencia de operación del sistema que se incluye en esta sección para comprender cómo funciona el equipo durante una demanda de calor. Comprender la secuencia de operación del módulo de encendido y los componentes relacionados es fundamental, dado que se asocia directamente con los procedimientos de resolución de problemas suministrados en los diagramas de flujo.

El módulo de control de encendido incluye características de autodiagnóstico. Una luz roja permanentemente iluminada indica que el funcionamiento es normal. Si se identifica un problema del calefactor, la luz roja del módulo destellará con un patrón específico según el problema que se haya diagnosticado.

Para un uso eficaz de los diagramas de flujo, primero deberá identificar el tipo de problema sobre la base del patrón de destellos de la luz roja de diagnóstico. Si la luz destella, el patrón será seguido de una pausa y luego la repetición del patrón de destellos, hasta que se corrija el problema.

En las tablas siguientes, verá qué página debe consultar para la resolución de problemas.

Problemas	Página
Luz de diagnóstico no iluminada durante una demanda de calor.....	27
Luz de diagnóstico LED destellando:	
A. Destello rápido	28
B. Destello largo (2 segundos encendida - 2 segundos apagada).....	28
C. Una vez.....	28
D. Dos veces	29
E. Tres veces.....	30
F. Cuatro veces.....	30
G. Cinco veces	30
H. Seis veces.....	30

Los componentes deben reemplazarse solo luego de que cada paso se haya completado y se sugiera el reemplazo en el diagrama de flujo.

SECUENCIA DE OPERACIÓN:

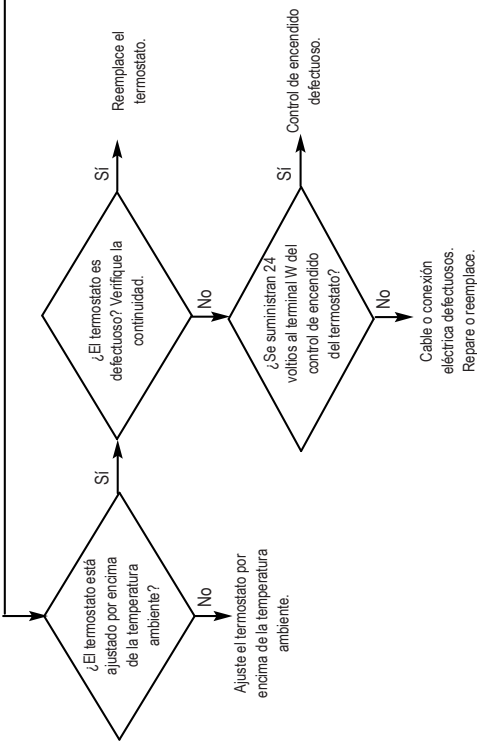
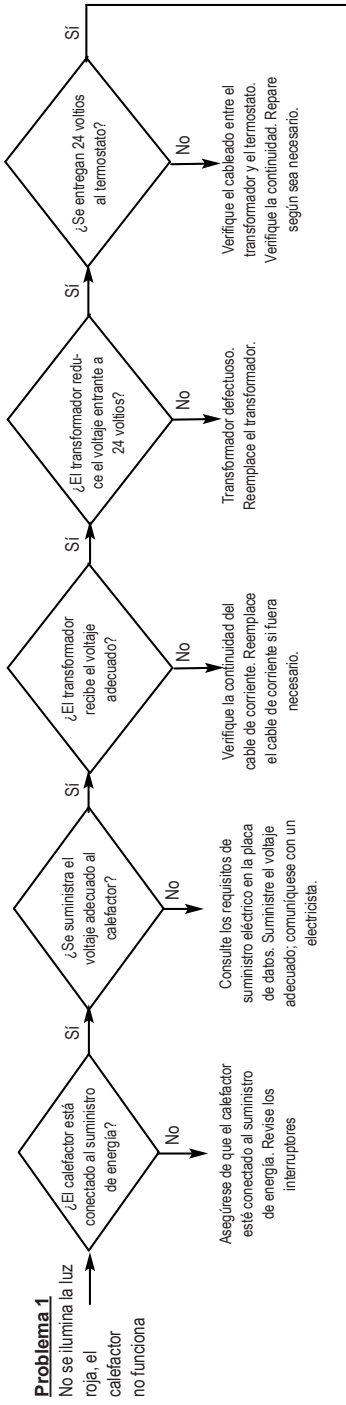
- Se envía voltaje de línea al transformador.
- El terminal del transformador separa el voltaje de línea al terminal L1 del control de encendido.
- El transformador reduce el voltaje de línea a 24 VAC. -- Se envían 24 VAC al termostato.
- El termostato se cierra y devuelve 24 voltios al terminal W del control de encendido.
- Se ilumina la luz roja del control de encendido.
- El control de encendido envía corriente de sensor de llama al sensor de llama.
- El módulo de control de encendido realiza una autoverificación de seguridad.
 - Se prueban los componentes internos.
 - Se prueba el circuito de comprobación de aire.
 - El control envía 24 VAC del terminal PSI al interruptor de comprobación de aire.
- El módulo de control de encendido comienza la secuencia de prueba de encendido.
- El control de encendido envía 115 voltios del terminal IND al motor. (Modelo AW325: El control de encendido envía 115 voltios al terminal 0 del relé del motor. El relé se cierra y envía 115 voltios de los terminales 2 y 6 para poner en marcha el motor.
 - El motor se pone en marcha.
- El interruptor de comprobación de aire se cierra y se devuelven 24 voltios al terminal PSO del control de encendido.
 - El motor se detiene.
- El módulo de control de encendido envía 115 voltios al encendedor de superficie caliente.
 - El encendedor alcanza la temperatura de encendido en 17 segundos.
- El control de encendido vuelve a poner en marcha el motor del ventilador y envía 24 VAC al interruptor de comprobación de aire.
 - El interruptor se cierra y se devuelven 24 voltios al control.
- El control de encendido envía 24 voltios del terminal GV al interruptor de límite superior.
 - Si los contactos del interruptor de límite están cerrados, el interruptor envía 24 voltios a la válvula de control de gas.
- La válvula de control de gas se abre.
- Se produce el encendido.
- La corriente de sensor de llama pasa por la llama del quemador y vuelve al control de encendido.
- El encendedor se mantiene encendido hasta que el control de encendido comprueba la detección de llama.
 - Después se apaga el encendedor.
 - La válvula de control de gas permanece abierta.
- El ambiente se calienta hasta la temperatura deseada.
 - El termostato está abastecido.
 - Se apaga el calefactor.
- El proceso comienza nuevamente con una demanda de calor.

SECUENCIA DE FALLA EN EL ENCENDIDO:

- La primera prueba de encendido lleva unos 20 segundos.
- Se realizan dos pruebas más de encendido.
 - Si la primera prueba falla, de inmediato se realiza la segunda.
 - Si la segunda prueba falla, el control de encendido inicia un período de espera de 15 minutos.
 - Una vez transcurridos los 15 minutos, el control de encendido intenta una tercera y última prueba.
- Si el control de encendido no comprueba la llama del quemador después de la tercera prueba, ingresa en un bloqueo de seguridad (3 destellos).
 - La válvula de gas se cierra.
 - El encendedor de superficie caliente se apaga.
 - El motor del ventilador se detiene.
- Para volver a intentar el encendido, apague y encienda el calefactor.

Problema 1

No se ilumina la luz roja, el calefactor no funciona



Luz roja destellando

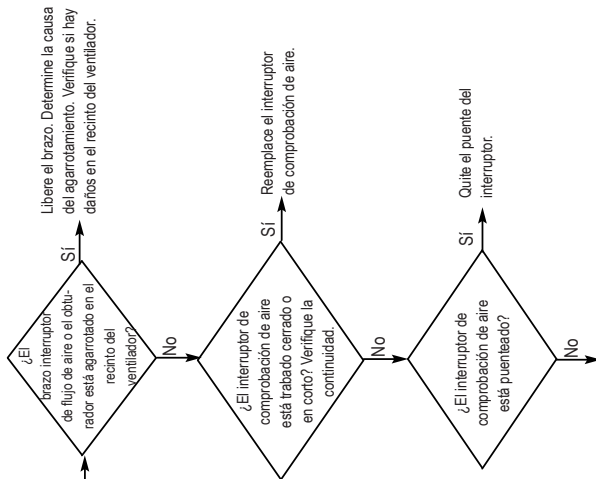
→ Invierta la polaridad. Pídale a un electricista que revise las conexiones de cables neutro y caliente en la toma donde está enchufado el calefactor.

Destello rápido

→ El calefactor ha intentado dos pruebas de encendido. El calefactor se encuentra en el período de espera de 15 minutos antes de intentar la tercera y última prueba de encendido. Si no se logra el encendido luego de la tercera prueba, el calefactor se bloqueará y el módulo de control de encendido exhibirá el patrón de tres destellos. Repita el ciclo del calefactor o bien espere a que el calefactor intente la tercera prueba de encendido.

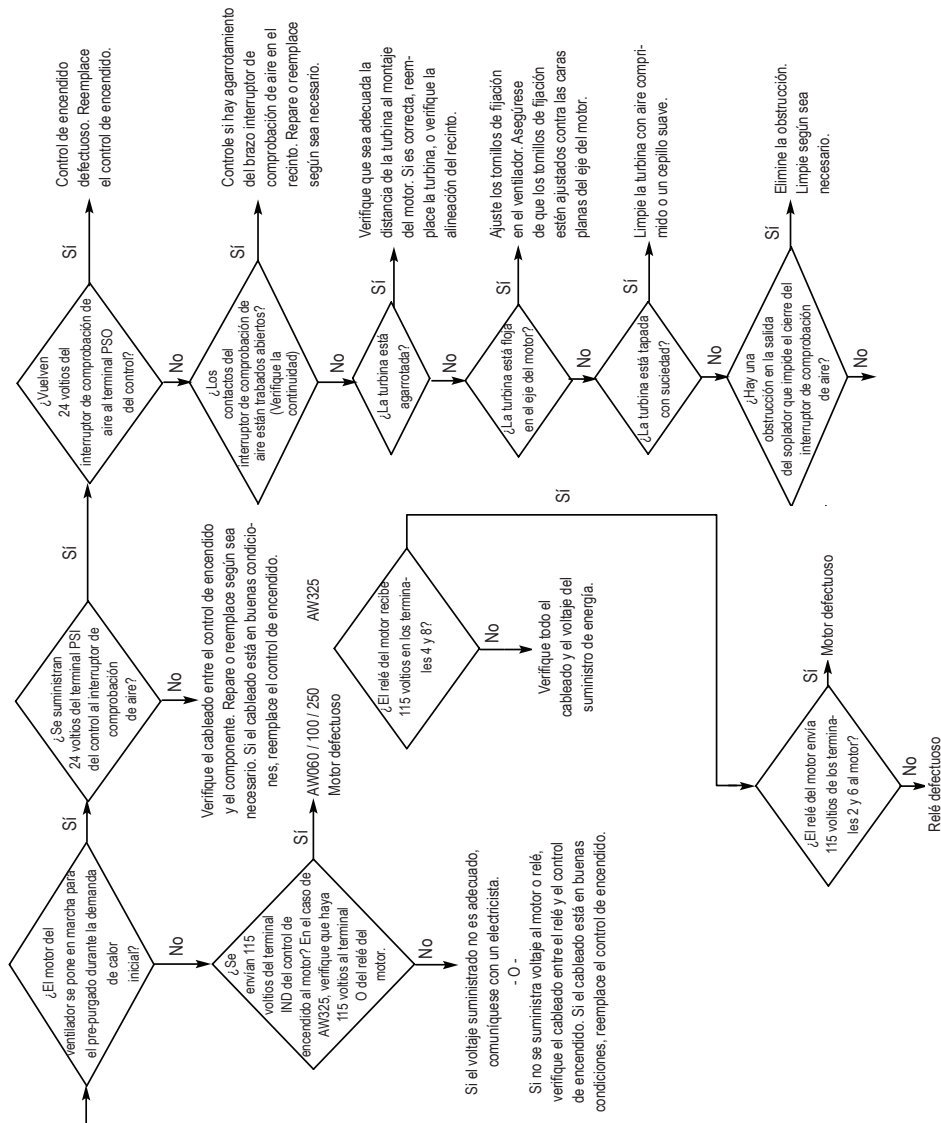
Una vez

Los contactos del interruptor de comprobación de aire se cierran antes de que se establezca una demanda de calor.



Cable defectuoso o conexiones deficientes al interruptor de comprobación de aire. Repare el cable o las conexiones.

**Dos veces
Falta de compresión de aire en la sección del ventilador.**



Tres veces:

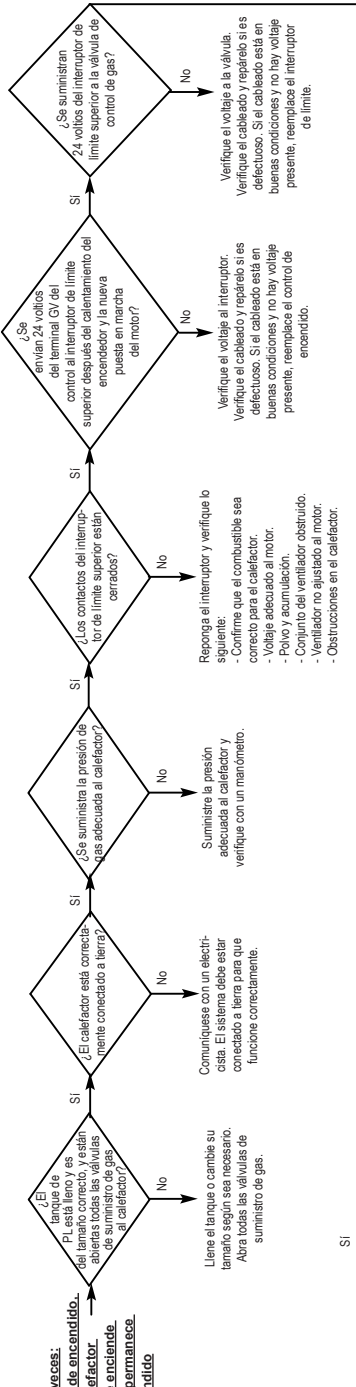
Falla de encendido. Si el tanque de PL está abastecido correctamente, y está suministrando gas al calefactor, **no se enciende, o no permanece encendido.**

Llene el tanque o cambie su abastecimiento según sea necesario. Abra todas las válvulas de suministro de gas.

Comuníquese con un electricista. El sistema debe estar conectado a tierra para que funcione correctamente.

Suministre la presión adecuada al calefactor y verifique con un manómetro.

Reponga el interruptor y verifique lo siguiente:
 - Confirme que el combustible sea correcto para el calefactor.
 - Voltaje acumulado al motor.
 - Polvo y acumulación.
 - Conjunto del ventilador obstruido.
 - Ventilador no ajustado al motor.
 - Obstrucciones en el calefactor.



Cuatro veces:

Reponga el control de encendido. Si el control de encendido no se repone, reemplácelo el tablero. Si el control se repone, asegúrese de la calidad de la energía (frecuencia, ruido de línea eléctrica, conexiones flojas, calibre del alambre demasiado pequeño).

Cinco veces:

Detección de llama débil. Verifique todas las conexiones a tierra. Asegúrese de que el sensor de llama esté bien fijado a la abrazadera de montaje y en la posición correcta. Limpie el sensor y verifique su conexión.

Séis veces:

Baja salida de microampios del sensor de llama. El calefactor seguirá funcionando correctamente. El sensor de llama es bajo, y en cualquier momento se puede producir una falla de la llama o el funcionamiento inadecuado. Consulte los problemas relacionados con el sensor de llama en el patrón de tres destellos.

Verifique el cableado. Repare el cableado según sea necesario. Si el cableado está en buenas condiciones, reemplácelo el control de encendido.

Encendedor defectuoso. Verifique la continuidad del módulo de control de encendido y reemplácelo si fuera necesario.

Diagrama de conexión eléctrica y escalera

⚠ PRECAUCIÓN

Siempre consulte el diagrama de conexión eléctrica durante el servicio para evitar errores de cableado y el mal funcionamiento del calefactor. Verifique que funcione adecuadamente después del servicio.

Diagrama de conexión de AW060 / 100 / 250

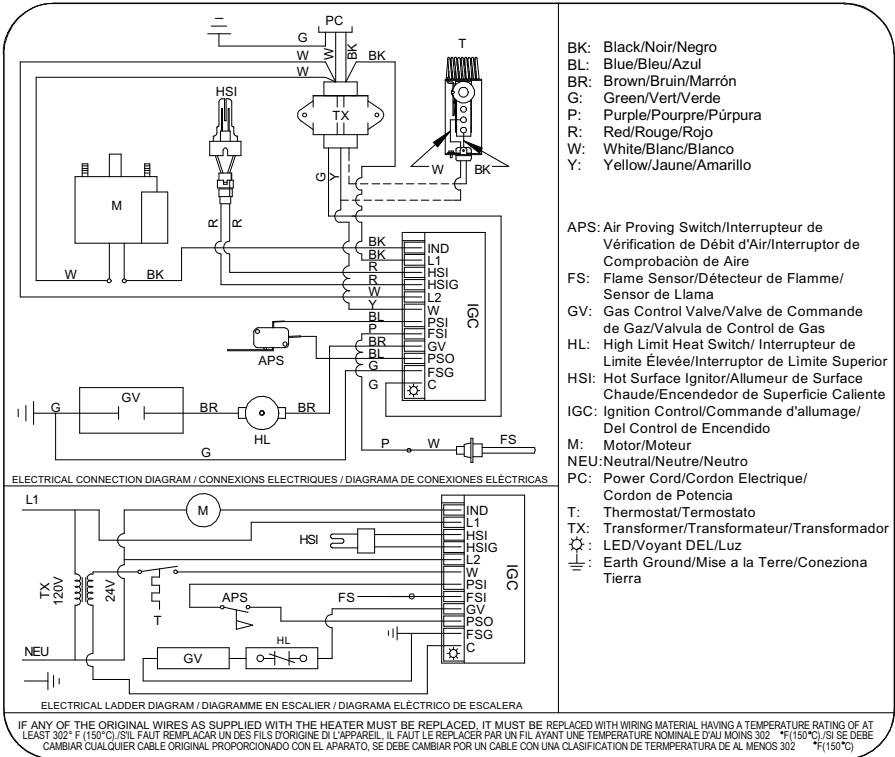
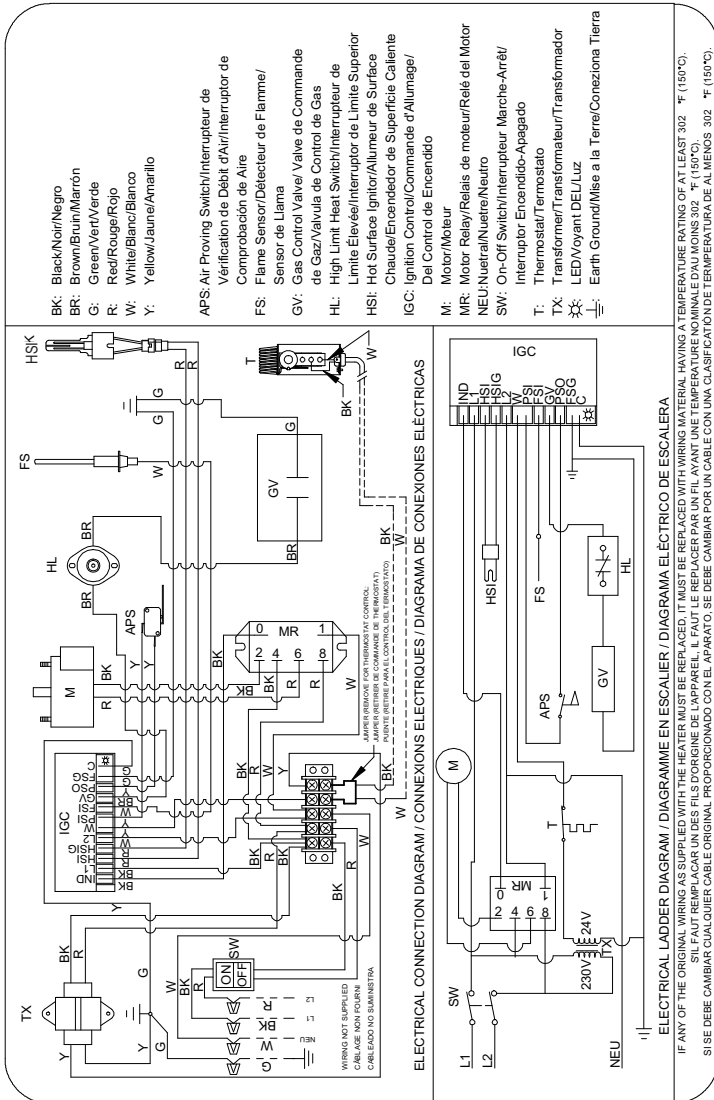


Diagrama de conexión eléctrica y escalera

⚠ PRECAUCIÓN

Siempre consulte el diagrama de conexión eléctrica durante el servicio para evitar errores de cableado y el mal funcionamiento del calefactor. Verifique que funcione adecuadamente después del servicio.

Diagrama de conexión de AW325



Función componente del calefactor

Interruptor de comprobación de aire

Dispositivo de seguridad utilizado para asegurarse de que se está logrando el flujo de aire adecuado antes de la apertura de la válvula de gas.

Quemador

Componente de hierro fundido utilizado para canalizar el gas y ofrecer un lugar donde se puede encender el combustible.

Orificio del quemador

Dispositivo de medición de latón utilizado para suministrar gas al quemador a una velocidad específica.

Recinto del ventilador

Cámara utilizada para comprimir el aire para un movimiento eficaz del aire.

Turbina

Componente utilizado en conjunto con el recinto del ventilador y el motor para traer el aire caliente del calefactor y soplarlo hacia el ambiente para calefacción (también se conoce como jaula de ardilla).

Sensor de llama

Este dispositivo funciona en conjunto con el módulo de encendido para comprobar que se ha establecido la llama del quemador (también se conoce como varilla de llama o sonda de llama).

Obturador

Una vela ubicada en la salida del soplador que se levanta cuando se incrementa la presión de aire generada por el ventilador y el motor. Ayuda a determinar que se ha logrado el flujo de aire adecuado antes de que se produzca el encendido.

Válvula de control de gas

Un dispositivo que consiste en un regulador de baja presión y solenoides eléctricos que se utilizan para controlar el flujo de gas al conjunto del quemador. Una característica del control es un cierre de gas incorporado que se usa para aislar el calefactor de su suministro de gas durante el servicio.

Manguera de gas

Conector flexible utilizado para conducir gas desde la línea de suministro del edificio al calefactor.

Cámara de calor

Cámara de combustión metálica dentro del artefacto que ofrece un área donde la llama del quemador se mezcla con el aire de combustión, y por lo tanto suministra calor.

Interruptor de límite superior

Dispositivo de seguridad cableado en el sistema de control que se usa para interrumpir un circuito eléctrico a la válvula de control de gas en caso de recalentamiento.

Encendedor de superficie caliente

Dispositivo de encendido eléctrico utilizado en los sistemas de control de encendido automático. Enciende el gas por la temperatura de la superficie en lugar de chispa o llama.

Módulo de control de encendido

Controla la secuencia de encendido y el funcionamiento del calefactor además de monitorear las funciones de seguridad. Una importante característica de servicio es la capacidad del tablero de diagnosticar la falla de la llama y los componentes mediante una luz de diagnóstico ubicada dentro del módulo. Esta luz exhibirá un patrón de destellos específico de manera repetida, según el tipo de falla de componente que se haya producido.

Motor

Dispositivo eléctrico utilizado para forzar el aire precalentado a través del calefactor y hacer circular el calor en una determinada zona. Convierte la energía eléctrica en energía mecánica.

Regulador

El corazón de cualquier instalación de suministro de gas. Se utiliza para entregar una presión de trabajo al calefactor bajo diversas condiciones de presión del tanque.

Relé (utilizado en AW325)

El relé, conectado entre el control de encendido y el motor, se usa para suministrar un total de 220 voltios al motor del ventilador al recibir 115 voltios del control de encendido.

Termostato

Dispositivo eléctrico utilizado como interruptor automático de encendido/apagado que responde a los cambios de temperatura en una determinada zona. Se puede cablear de modo que los contactos del termostato se abran o cierren ante un aumento o disminución de la temperatura.

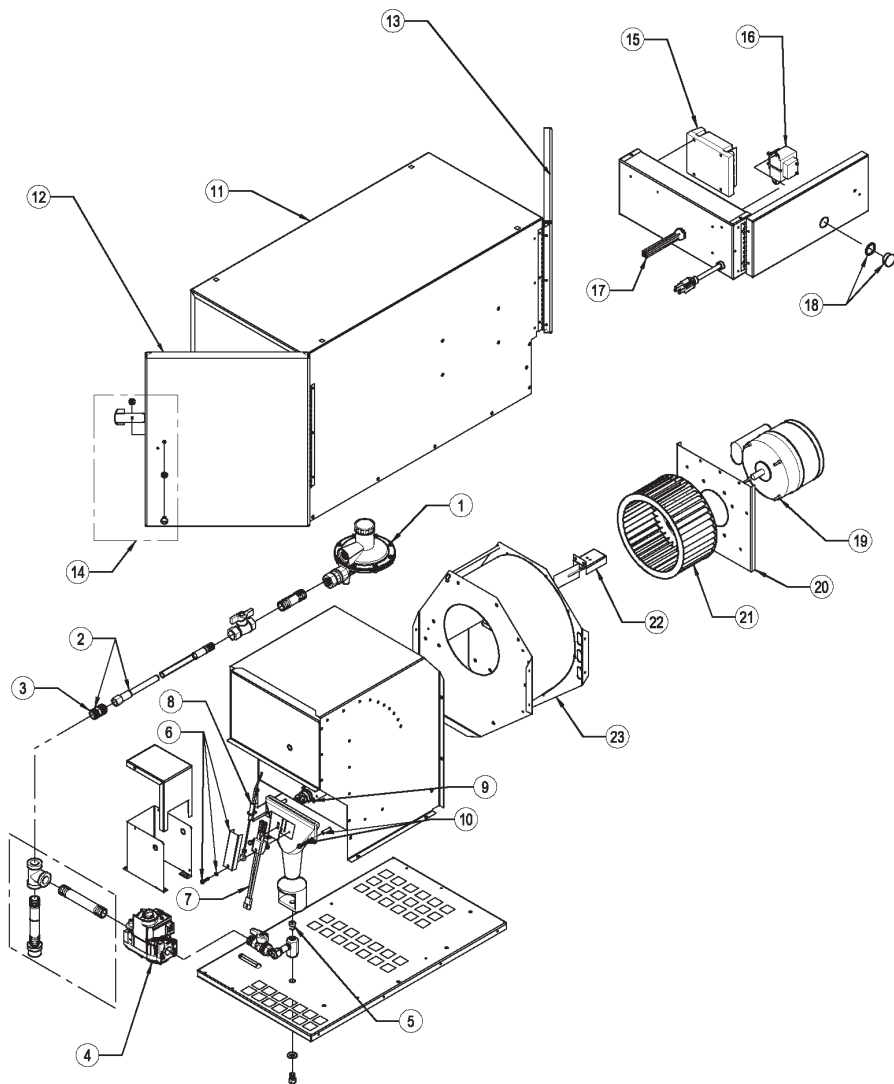
Válvula de mariposa

Componente que se ajusta manualmente para incrementar o reducir el flujo de gas al quemador. Se encuentra entre la válvula de control de gas y el conjunto del quemador.

Transformador

Este dispositivo es responsable de reducir un voltaje entrante más alto (normalmente 120 VAC) a un voltaje saliente más bajo. El voltaje más bajo (24 VAC) es fundamental para operar el módulo de control de encendido.

Diagrama de identificación de piezas de mantenimiento



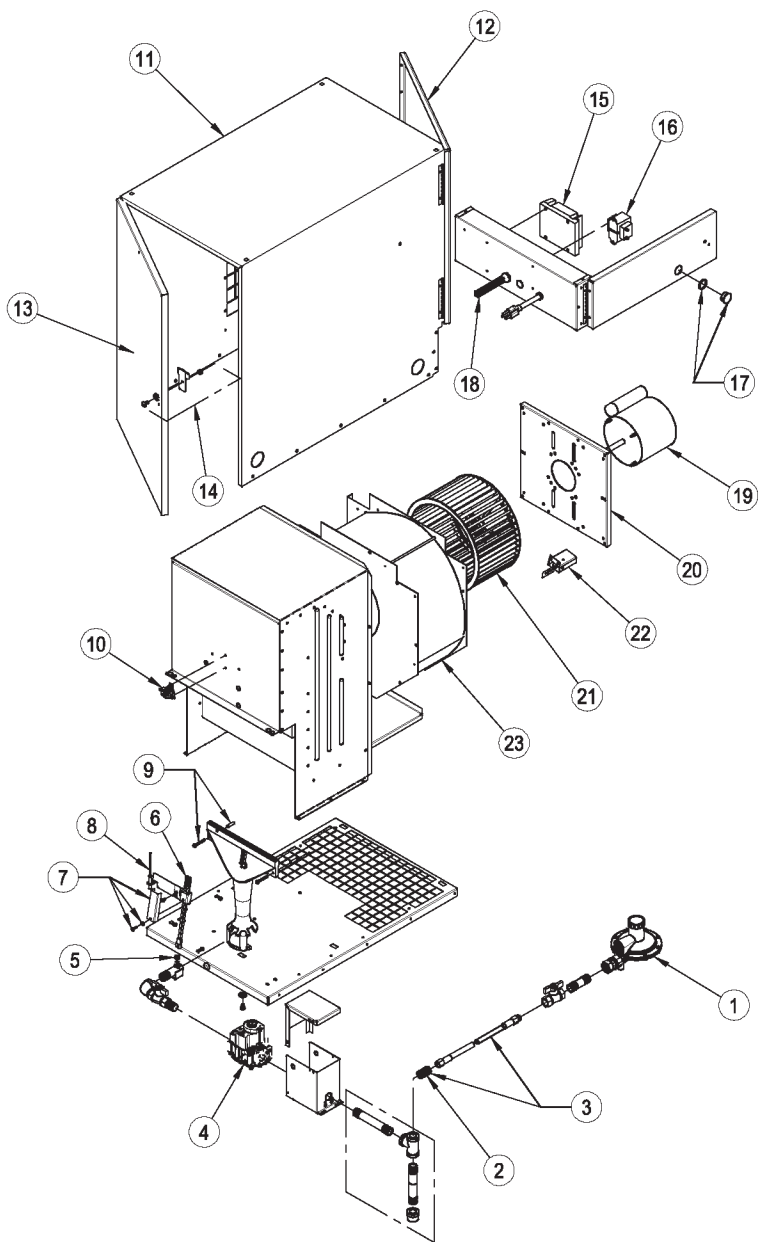
Ítem	Descripción	Pieza número
1	Regulador, gas PL, 2° etapa, ventilación lateral	06665*
	Regulador, gas PL, 2° etapa, ventilación sobre la salida	06553*
	Regulador, gas natural (no se muestra) (entrada de 5 PSIG, salida de 13,5 pulg. de columna de agua)	07087*
2	Manguera, 3/8 pulg. x 10 pies c/adaptador	21993*

* Accesorio - Se debe pedir por separado.

Lista de piezas - AW060 / 100

Ítem	Descripción	Pieza número
3	Adaptador, NPT de 1/2 x 5/8-18	06655*
4	Válvula de control de gas, gas PL	522076
	Gas natural	522078
5	Orificio, quemador, gas PL, 60.000 Btu/h	570225
	Gas natural, 60.000 Btu/h	570226
	Gas PL, 100.000 Btu/h	570281
	Gas natural, 100.000 Btu/h	570282
6	Placa protectora	572494
7	Encendedor	509201
8	Sensor de llama	572412
9	Interruptor de límite superior	503933
10	Ferretería para montaje del quemador (2 tornillos y 2 separadores)	570211
11	Conjunto de caja c/puertas y pestillos, gas PL, 60.000 Btu/h	570516
	Gas natural, 60.000 Btu/h	570517
	Gas PL, 100.000 Btu/h	570572
	Gas natural, 100.000 Btu/h	570571
12	Puerta, extremo del quemador, gas PL, 60.000 Btu/h	570039
	Gas natural, 60.000 Btu/h	570040
	Gas PL, 100.000 Btu/h	570119
	Gas natural, 100.000 Btu/h	570120
13	Puerta, extremo del motor	570298
14	Kit de pestillos	570228
15	Control de encendido	509298
16	Transformador	509615
17	Kit de cables y arnés	23709
18	Tapón de ventana con junta tórica	570002
19	Motor, 1/12 HP, 60.000 Btu/h	520290
	Motor, 1/8 HP, 100.000 Btu/h	520292
20	Montaje del motor, 60.000 Btu/h	570382
	100.000 Btu/h	570383
21	Turbina, 60.000 Btu/h	570230
	Turbina, 100.000 Btu/h	570304
22	Interruptor de comprobación de aire con soporte 60.000 Btu/h	570027
	Interruptor de comprobación de aire con soporte 100.000 Btu/h	570493
23	Recinto de ventilador, con interruptor de comprobación de aire y montaje del motor 60.000 Btu/h	520989
	Recinto de ventilador, con interruptor de comprobación de aire y montaje del motor 100.000 Btu/h	520990

Diagrama de identificación de piezas de mantenimiento

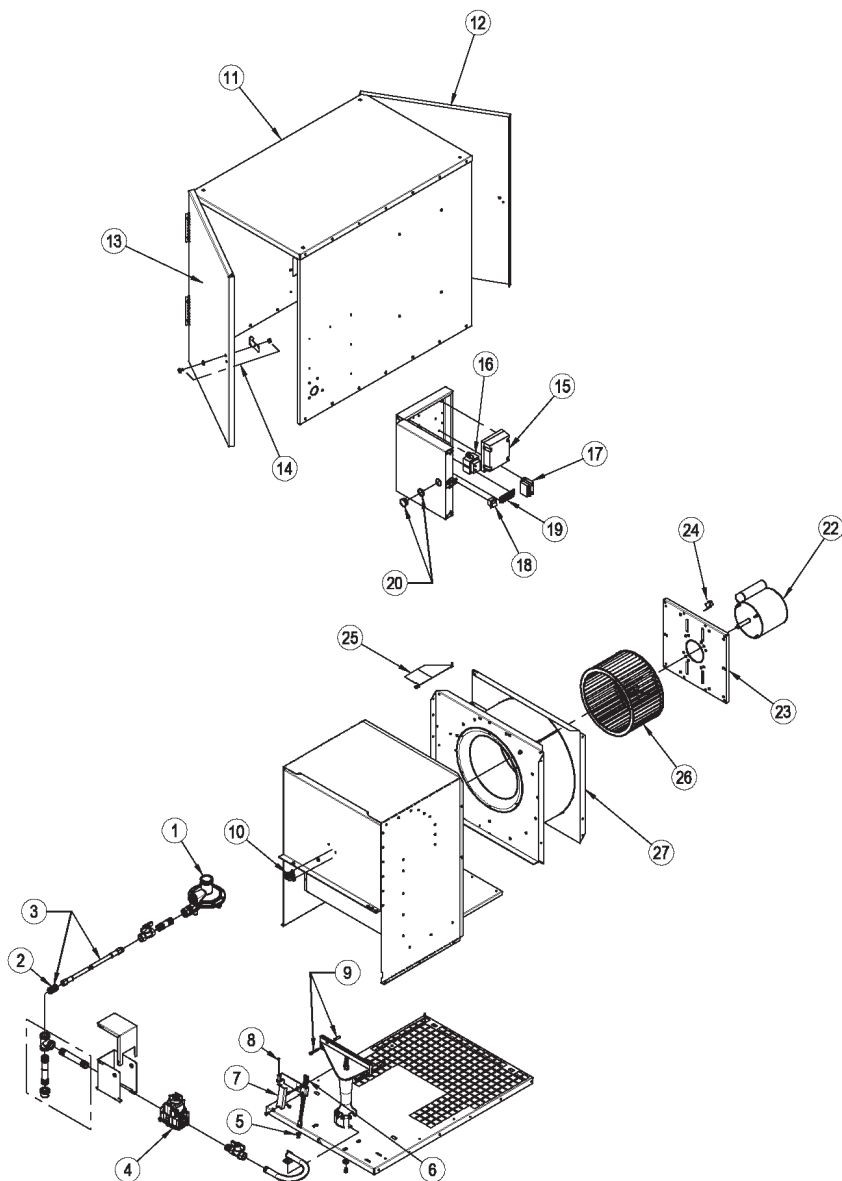


Lista de piezas - AW250

Ítem	Descripción	Pieza número
1	Regulador, gas PL, 2° etapa, ventilación sobre la salida	06553*
	Regulador, gas PL, 2° etapa, ventilación lateral	06665*
	Regulador, gas natural, 2° etapa, ventilación lateral	24414*
2	Adaptador, manguera, NPT de 1/2 x NPS de 1/2	25873
3	Manguera, 1/2 pulg. DI x 10 pies con adaptador	20714
4	Válvula, control de gas: Gas PL	522076
	Gas natural	522078
5	Orificio, quemador: Gas PL	570053
	Gas natural	570054
6	Encendedor, superficie caliente	509201
7	Placa protectora del encendedor	572494
8	Sensor de llama	520139
9	Ferretería para montaje del quemador (2 tornillos y 2 separadores)	570211
10	Interruptor de límite superior	505566
11	Caja, conjunto, con puertas y pestillos, galvanizada, velocidad variable, gas PL	570310
	Gas natural	570311
12	Puerta, extremo del motor, gas PL	570135
	Gas natural	570485
13	Puerta, extremo del quemador	573475
14	Kit de pestillos	570228
15	Control de encendido	509298
16	Transformador, 120/24 v.	509615
17	Ventana con junta tórica	570002
18	Kit de cables con arnés	570110
19	Motor, 1/3 HP, rodamiento	520169
20	Montaje del motor	570251
21	Turbina	570481
22	Interruptor de comprobación de aire	24157
23	Recinto de ventilador, con interruptor de comprobación de aire y montaje del motor	24167

* Accesorio - Se debe pedir por separado.

Diagrama de identificación de piezas de mantenimiento



Lista de piezas - AW325

Ítem	Descripción	Pieza número
1	Regulador, gas PL, 2° etapa, ventilación sobre la salida	06553*
	Regulador, gas PL, 2° etapa, ventilación lateral	06665*
	Regulador, gas natural	25108*
2	Adaptador, manguera, NPT de 1/2 x NPS de 1/2	25873*
3	Manguera, 1/2 pulg. DI x 10 pies con adaptador	20714*
4	Válvula, control de gas: Gas PL	22189
	Gas natural	22190
5	Orificio, quemador: Gas PL	570161
	Gas natural	570162
6	Encendedor, superficie caliente	509201
7	Placa protectora del encendedor	572494
8	Sensor de llama	570006
9	Ferretería para montaje del quemador (2 tornillos y 2 separadores)	570211
10	Interruptor de límite superior	505566
11	Caja, conjunto con puertas y pestillos: Gas PL	570393
	Gas natural	570394
12	Puerta de la caja, extremo del motor	570252
13	Puerta de la caja, extremo del quemador: Gas PL	570499
	Gas natural	570500
14	Kit de pestillos	570228
15	Control de encendido	509298
16	Transformador, 240/24v.	570389
17	Relé	570221
18	Interruptor on/off	570520
19	Regleta de terminales	570491
20	Tapón de ventana con junta tórica	570002
21	Kit de cables completo (todo el cableado del calefactor) No se muestra	570587
22	Motor, 1/2 hp. 240 voltios	508635
23	Montaje del motor	570251
24	Interruptor de comprobación de aire	502680
25	Obturador (vela)	570212
26	Turbina	570440
27	Recinto de ventilador, con interruptor de comprobación de aire y montaje del motor	508798

* Accesorio - Se debe pedir por separado.

Política de garantía

CALEFACTOR

L.B. White Co., Inc. garantiza que las piezas componentes de su calefactor están libres de defectos de material y de mano de obra, cuando se las instala, hace funcionar y mantiene apropiadamente siguiendo las Instrucciones de instalación y de mantenimiento, las guías de seguridad, y las etiquetas de cada unidad. Si, dentro de los 12 meses de la fecha de compra por el usuario final, se encuentra que algún componente está defectuoso, L.B. White Co., Inc., según su criterio, reparará o reemplazará la pieza defectuosa o el calefactor con una pieza o calefactor nuevos, FOB, Onalaska, Wisconsin.

Al registrar su producto en línea con L.B. White habilitará automáticamente una unidad y sus piezas componentes para la garantía. Si un producto no ha sido registrado con L.B. White, se requerirá una copia de la factura de venta para establecer una calificación de garantía. Si nada de lo anterior está disponible, el período de garantía será de 12 meses desde la fecha del envío por parte de L.B. White.

PIEZAS

L.B. White Co., Inc. garantiza que las piezas de repuesto compradas a la compañía y usadas en el correspondiente equipo L.B. White están libres de defectos tanto de materiales como de mano de obra durante 12 meses desde la fecha de compra por el usuario final. La garantía es automática si se encuentra que un componente está defectuoso dentro de los 12 meses del código de fecha marcado en la pieza. Si el defecto ocurre más de 12 meses después del código de fecha pero dentro de los 12 meses de la fecha de compra por el usuario final, se solicitará una copia de la factura de venta para que quede habilitada la garantía.

La garantía descrita arriba es la garantía exclusiva otorgada por L.B. White, y todas otras garantías, incluida cualquier garantía implícita o comerciabilidad o idoneidad para un propósito en particular, son expresamente denegadas. En el caso de cualquier garantía implícita que no esté eficazmente denegada aquí por efecto

de la ley, tal garantía implícita está limitada en tiempo a la duración de la correspondiente garantía mencionada arriba. Los recursos establecidos arriba son los únicos y exclusivos recursos disponibles conforme a la presente. L.B. White no será responsable por ninguno de los daños y perjuicios incidentales o emergentes directa o indirectamente relacionados con la venta, manipulación o uso del equipo, y en todo caso la responsabilidad de L.B. White con respecto al equipo, incluidos reclamos basados en negligencia o responsabilidad estricta, está limitada al precio de compra.

Algunos estados no permiten limitaciones en relación a cuánto tiempo dura una garantía implícita; por lo tanto, la limitación de arriba podría no aplicarse a usted.

Algunos estados no permiten la exclusión o limitación de daños y perjuicios incidentales o emergentes; por lo tanto, la limitación o exclusión de arriba podría no aplicarse a usted. Esta garantía le otorga derechos legales específicos, y usted también podría tener otros derechos que varían de estado a estado.

Para registrar su producto y asegurarse la garantía completa, visite: http://www.lbwhite.com/customer_care_center/product-registration/. Por favor, tenga a mano el número o los números de serie y modelo(s) de los productos que está registrando.

Mantenimiento

Póngase en contacto con su distribuidor de L.B. White local para obtener repuestos y mantenimiento. También puede llamar a L.B. White Co., Inc. al 1-800-345-7200, para recibir ayuda, o enviar un correo electrónico a customerservice@lbwhite.com.

Cuando llame, asegúrese de que tiene el número de modelo del calefactor y el número de configuración.



PROVEEDOR MUNDIAL - SOLUCIONES INNOVADORAS DE CALEFACCIÓN

411 Mason Street, Onalaska, WI 54650

800-345-7200 • 608-783-5691

608-783-6115 (fax)

www.lbwhite.com



Guardian

Air forcé
Fournaise

AW060	60 000 Btu/h
AW100	100 000 Btu/h
AW250	250 000 Btu/h
AW325	325 000 Btu/h

Soutirage de la vapeur des gaz de pétrole liquéfiés ou du gaz naturel

Consulter ce manuel en ligne à l'adresse www.lbwhite.com

Attention

Cette fournaise a été testée et évaluée par l'Association canadienne de normalisation conformément à la norme ANSI/IAS US LC2-1998 ainsi que par l'Association canadienne du gaz conformément à la norme CAN1-2.20-M85 relative aux couveuses alimentées au gaz. Cette fournaise est cotée et approuvée à titre de fournaise à circulation directe alimentée au gaz pour le chauffage des bâtiments agricoles de confinement des animaux. Si vous envisagez d'utiliser ce produit pour une application autre que son utilisation prévue, communiquez au préalable avec votre fournisseur de gaz combustible, ou avec L.B. White Co., Inc.

www.lbwhite.com



Félicitations!

Vous avez acheté la meilleure fournaise de bâtiment agricole disponible sur le marché. Votre nouvelle fournaise L.B. White intègre les avantages du fabricant de produits de chauffage le plus expérimenté qui utilise une technologie de pointe.

L'équipe de L.B. White vous remercie de la confiance que vous accordez à nos produits et indique qu'elle est ouverte à vos suggestions ou vos commentaires, pour se faire, communiquez avec nous au 1 800 345-7200, ou par courriel à l'adresse customerservice@lbwhite.com.

**CONSULTER LES
INSTRUCTIONS
D'ASSEMBLAGE
À L'INTÉRIEUR**

**S'il vous plaît se référer aux
informations d'élévation
importante sur la couverture
intérieure.**



NUMÉRISER CECI
avec votre téléphone intelligent ou
visiter le <http://goo.gl/nksqZ>
pour y voir des vidéos d'entretien
pour les fournaises L.B. White*.

* Nécessite une application
comme QR Droid pour Android
ou iPhone

FOURNISSEUR MONDIAL - SOLUTIONS INNOVANTES DE CHAUFFAGE

411 Mason Street, Onalaska, WI 54650 • 1 800 345-7200 • 608 783-5691 • 608 783-6115 (télécopieur) • www.lbwhite.com

TABLE DES MATIÈRES

Spécifications de la fournaise.....	4
Renseignements généraux.....	5
Consignes de sécurité.....	6
Instructions générales d'installation.....	9
Instructions d'installation du dispositif de déviation d'air.....	11
Instructions d'accrochage.....	11
Assemblage du piège à sédiments.....	12
Robinet d'arrêt manuel, conduite et régulateur.....	12
Thermostats.....	13
Instructions de démarrage/arrêt.....	14
Sortie de chaleur variable.....	15
Instructions de nettoyage.....	16
Instructions de maintenance.....	17
Instructions d'entretien courant.....	18
Assemblage du moteur et du ventilateur.....	18
Interrupteur de vérification d'air.....	19
Obturateur.....	19
Allumeur.....	20
Détecteur de flamme.....	20
Limiteur de température.....	20
Transformateur.....	21
Relais.....	21
Orifice du brûleur et robinet de réglage du gaz.....	22
Commande de l'allumage.....	22
Vérifications de la pression du gaz.....	23
Guide de dépannage.....	25
Raccordement électrique et diagramme en échelle (AW60/100/250).....	31
Raccordement électrique et diagramme en échelle (AW325).....	32
Fonction du composant de la fournaise.....	33
Schémas d'identification des pièces de rechange et liste des pièces	
- AW060/100.....	34/35
- AW250.....	36/37
- AW325.....	38/39
Politique de garantie.....	40



AVERTISSEMENT

Les produits standard sont conçus pour fonctionner à leur efficacité optimale à une altitude se situant entre 0 et 610 m au-dessus du niveau de la mer.

Il est possible que le produit ne fonctionne pas correctement ou de façon non sécuritaire s'il est utilisé à une altitude plus élevée.

Des produits fournissant un fonctionnement adéquat à une altitude plus élevée peuvent être offerts.

Veuillez contacter le soutien technique si vous avez besoin d'un produit destiné à une altitude élevée, que vous ne l'avez pas spécifié lors de la commande ou que la boîte dans laquelle cette unité est fournie ne dispose pas de l'autocollant de désignation spécifique pour une altitude différente.

**AVERTISSEMENT GÉNÉRAL**

Le non-respect des précautions et des instructions fournies avec cet appareil peut se traduire par :

- La mort
- Des blessures graves ou des brûlures
- Des pertes matérielles ou des dommages matériels causés par un incendie ou une explosion
- L'asphyxie en raison d'un manque d'approvisionnement d'air adéquat ou d'un empoisonnement au monoxyde de carbone
- Décharge électrique
 - Lire le manuel du propriétaire avant d'installer ou d'utiliser cet appareil.
 - Seul du personnel d'entretien correctement formé doit réparer ou installer cette fournaise.
 - Conserver le manuel du propriétaire pour une utilisation et des références ultérieures.
 - Les manuels du propriétaire et des étiquettes de remplacement sont disponibles sans frais. Pour obtenir de l'aide, communiquez avec L.B. White au 1 800 345-7200.

**AVERTISSEMENT**

- Une pression d'alimentation en gaz adéquate doit être fournie à l'entrée de la fournaise.
- Reportez-vous à la plaque de données pour connaître la pression d'alimentation en gaz.
- Une pression de gaz supérieure à la pression d'entrée maximale précisée à l'entrée de la fournaise peut provoquer des incendies ou des explosions.
- Des incendies ou des explosions peuvent entraîner des blessures graves voire mortelles, ou des dommages mobiliers.
- Une pression de gaz inférieure à la pression d'entrée minimale précisée à l'entrée de la fournaise peut provoquer une mauvaise combustion.
- Une mauvaise combustion peut mener à l'asphyxie ou à l'empoisonnement au monoxyde de carbone et des blessures graves voire mortelles.

**AVERTISSEMENT**
Incendie et explosion

- Garder les combustibles solides à une distance sécuritaire de la fournaise.
- Parmi les combustibles solides, on trouve le bois, les produits de papier, les plumes, la paille et la poussière.
- Ne pas utiliser l'appareil dans des espaces qui contiennent ou qui peuvent contenir des combustibles volatiles ou en suspension dans l'air, ou de gaz inflammables.
- Parmi les combustibles et les gaz inflammables volatiles ou en suspension, on trouve les grisous, l'essence, les solvants, les diluants à peinture, les particules de poussière ou les produits chimiques inconnus.
- Le non-respect de ces instructions peut entraîner un incendie ou une explosion.
- Les incendies et les explosions peuvent causer des dommages matériels, des blessures voire la mort.

**AVERTISSEMENT****Incendie et explosion**

- Non destiné à un usage domestique ou un usage sur un véhicule récréatif.
- L'installation de cette fournaise dans un maison ou un véhicule récréatif peut provoquer un incendie ou une explosion.
- Les incendies et les explosions peuvent causer des dommages matériels et la mort.

POUR VOTRE SÉCURITÉ

Ne pas entreposer ou utiliser de l'essence ou d'autres vapeurs et liquides inflammables à proximité de cet appareil ou de tout autre appareil.

POUR VOTRE SÉCURITÉ

Si vous sentez une odeur de gaz :

1. Ouvrir les fenêtres.
2. Ne pas toucher aux interrupteurs électriques.
3. Éteindre toute flamme nue.
4. Appeler immédiatement votre fournisseur de gaz.

Caractéristiques

		AW060	AW100	AW250	AW325	
Entrée maximale (Btu/h)		60 000	100 000	250 000	325 000	
Entrée minimale (Btu/h)		30 000	50 000	160 000	200 000	
Air de ventilation nécessaire pour soutenir la combustion (pi ³ /min)		240	400	1050	1700	
Pression d'alimentation en gaz acceptable à l'entrée de la fournaise à des fins d'ajustement (max.) de l'entrée (po de colonne d'eau)	Gaz de pétrole liquéfiés	Max.	13,5			
		Min.	11,0			
	Gaz naturel	Max.	13,5			
		Min.	7,0			
Pression d'admission du brûleur (po de colonne d'eau)	Gaz de pétrole liquéfiés	10,0			8,0	
	Gaz naturel	4,0			3,5	
Consommation de carburant par heure	Gaz de pétrole liquéfiés (lb)	Max.	2,78	4,63	11,58	15,08
		Min.	1,39	2,32	7,41	9,28
	Gaz naturel (pieds cubes)	Max.	60	100	250	325
		Min.	30	50	160	200
Caractéristiques du moteur	Roulement à billes					
	HP	1/15	1/8	1/3	1/2	
	tr/m	1700	1100	1075	1100	
Alimentation électrique (Volts/Hz/Phase)	120/60/1				240/60/1	
Consommation en ampère (y compris l'allumeur)	Au démarrage	7,0	7,5	11,8	10,1	
	Continu	1,1	1,4	4,5	3,6	
Dimensions (po) (L x P x H)		21½x14½x18	29½x14½x18	30¾x18½x28¾	36x22x30	
Distances sécuritaires minimales de la fournaise pour les plus proches de matériaux combustibles	Partie supérieure	1 pi (0,3 m)				
	Côtés	1 pi (0,3 m)				
	Arrière	1 pi (0,3 m)				
	Sortie du ventilateur	6 pi (1,83 m)				
	Alimentation en gaz	Gaz de pétrole liquéfiés - 6 pi (1,83 m) Gaz naturel : S.o.				

Renseignements généraux

Ce manuel du propriétaire comprend des accessoires fréquemment utilisés avec cette fournaise. Ces accessoires doivent être commandés séparément.

Lors d'un appel de service technique, ou pour obtenir toute autre information précise, **toujours** avoir le numéro de modèle, le numéro de configuration et le numéro de série sous la main. Cette information est inscrite sur la plaque signalétique.

Ce manuel vous présente le fonctionnement et l'entretien de votre appareil. Lire ce manuel avec votre installateur afin de vous assurer de bien comprendre la fournaise et son fonctionnement.

Communiquez avec votre distributeur L.B. White local ou L.B. White Co., Inc. pour obtenir de l'aide, ou si vous avez des questions sur l'utilisation de l'équipement ou de son application.

La société L.B.White Co., Inc. dispose d'une politique d'amélioration continue de ses produits. La société se réserve le droit de modifier les spécifications et la conception sans préavis.

Précautions de sécurité



AVERTISSEMENT

DANGER D'ASPHYXIE

- Ne pas utiliser cet appareil pour chauffer des logements humains.
- Ne pas utiliser dans les zones non ventilées.
- Le débit de combustion et l'air de ventilation ne doivent pas être obstrués.
- De l'air de ventilation adéquat doit être prévu pour soutenir les besoins en air de combustion de la fournaise étant utilisée.
- Reportez-vous à la section des spécifications du manuel du propriétaire, à la plaque signalétique de la fournaise ou communiquer avec la société L.B. White pour déterminer les besoins en matière de ventilation d'air de combustion de la fournaise.
- L'absence d'une ventilation convenable se traduira par une mauvaise combustion.
- Une mauvaise combustion peut mener à une intoxication au monoxyde de carbone, ce qui peut se traduire par des blessures graves voire mortelles. Parmi les symptômes de l'intoxication au monoxyde de carbone, on trouve des maux de tête, des étourdissements et des difficultés à respirer.
- Parmi les symptômes d'une mauvaise combustion qui touchent le bétail, on trouve des maladies, un taux de conversion alimentaire inférieur voire la mort.

Odeur de gaz combustible

Des odorants artificiels sont ajoutés au gaz propane et au gaz naturel précisément pour permettre la détection de fuites de gaz combustible.

Si une fuite de gaz combustible se produit, vous devriez être en mesure de la sentir.

C'EST VOTRE SIGNAL DE PRENDRE IMMÉDIATEMENT DES MESURES!

- Ne rien faire qui pourrait enflammer le gaz combustible. Ne pas faire fonctionner les commutateurs électriques. Ne pas tirer sur les câbles d'alimentation ou les rallonges. Ne pas allumer d'allumettes ou toute autre source de flamme. Ne pas utiliser votre téléphone.
- Évacuer tout le bâtiment et éloigner immédiatement les gens de la zone.
- Fermer tous les robinets d'alimentation en carburant.
- Le gaz propane est plus lourd que l'air et peut se déposer au sol. Lorsque vous avez des raisons de soupçonner une fuite de propane, rester à l'écart de toutes les zones basses.
- Utiliser le téléphone de votre voisin et appelez votre fournisseur de gaz ainsi que votre service d'incendie. Ne pas entrer de nouveau dans le bâtiment ou la zone.
- Rester à l'extérieur du bâtiment et demeurer à l'écart de la zone jusqu'à ce qu'ils soient déclarés sûrs par les pompiers et par votre fournisseur de gaz combustible.
- ENFIN, laissez le technicien en gaz combustible et les pompiers vérifier d'où le gaz s'échappe. Leur demander d'aérer le bâtiment et la zone avant d'y retourner. Un technicien correctement formé doit réparer la fuite, vérifier s'il y a d'autres fuites, puis rallumer la fournaise pour vous.

Dissipation de l'odeur- Aucune odeur détectée

- Certaines personnes ne peuvent pas bien sentir. Certaines personnes peuvent ne pas sentir l'odeur du produit chimique artificiel ajouté au gaz propane ou au gaz naturel. Vous devez déterminer si vous pouvez sentir la substance odorante se trouvant dans ces gaz combustibles.
- Apprendre à reconnaître l'odeur du gaz propane et du gaz naturel. Les revendeurs locaux de gaz propane et votre fournisseur local de gaz naturel (service public) seront plus qu'heureux de vous donner un dépliant « Grattez et sentez » Utilisez-le pour vous familiariser avec l'odeur de gaz combustible.
- Fumer peut diminuer votre odorat. Être autour d'une odeur pendant une certaine période peut avoir une incidence sur votre sensibilité à cette odeur particulière. Les odeurs présentes dans les bâtiments de confinement des animaux peuvent masquer l'odeur du gaz combustible.
- L'odorant du gaz propane et du gaz naturel est incolore et l'intensité de son odeur peut disparaître dans certaines circonstances.
- Si il y a une fuite souterraine, le mouvement du gaz dans le sol peut filtrer l'odorant.
- À des niveaux différents, l'odeur du gaz propane peut différer en intensité. Puisque le gaz propane est plus lourd que l'air, il peut y avoir plus d'odeurs à des niveaux inférieurs.
- Toujours être sensible à la moindre odeur de gaz. Si vous continuez à détecter une odeur de gaz, et ce, peu importe son importance, traitez-la comme une fuite grave. Passer immédiatement à l'action comme indiqué précédemment.

Attention - Points capitaux à retenir!

- Le gaz propane et le gaz naturel ont une odeur particulière. Apprenez à reconnaître ces odeurs. (Se reporter aux rubriques « Odeur du gaz combustible » et « Dissipation de l'odeur » ci-dessus.
- Si vous n'avez pas reçu de formation adéquate en réparation et entretien de fournaises alimentées au gaz propane et au gaz naturel, ne tentez pas d'allumer la fournaise, d'effectuer des réparations ou de faire des ajustements à la fournaise sur un système d'alimentation en gaz propane ou en gaz naturel.
- Même si vous n'êtes pas correctement formé en entretien et réparation d'appareils de chauffage par rayonnement, vous devez TOUJOURS connaître les odeurs de gaz propane et de gaz naturel.
- Un test d'odeur effectué périodiquement autour de la fournaise ou à proximité de ses joints; c.-à-d. le tuyau, les raccords, etc., est une bonne mesure de sécurité à faire en tout temps. Si vous sentez une odeur, et ce peu importe son importance, communiquez IMMÉDIATEMENT AVEC VOTRE FOURNISSEUR DE GAZ COMBUSTIBLE. N'ATTENDEZ PAS!

1. Ne pas tenter d'installer, de réparer ou d'effectuer la maintenance de cette fournaise ou de la conduite d'alimentation en gaz, sauf si vous avez une formation permanente et des connaissances d'experts des fournaises au gaz.

QUALIFICATIONS NÉCESSAIRES POUR PROCÉDER À L'ENTRETIEN ET À L'INSTALLATION :

- a. Pour être un technicien en entretien et en réparation de fournaise au gaz qualifié, vous devez avoir été formé en l'entretien et en réparation de fournaise au gaz, et aussi avoir une expérience suffisante pour vous permettre de résoudre les problèmes, de remplacer des pièces défectueuses et de tester des fournaises afin de les mettre en état de fonctionnement normal et sécuritaire. Vous devez vous familiariser entièrement avec chaque modèle en lisant et en respectant les consignes de sécurité, les étiquettes, le manuel du propriétaire, etc. qui sont fournis avec chaque fournaise.
 - b. Pour être un technicien qualifié en installation de fournaise au gaz, vous devez disposer d'une formation et d'une expérience pertinentes pour gérer tous les aspects de l'installation, de la réparation et de la modification des conduites de gaz, y compris la sélection et l'installation de l'équipement approprié, ainsi que la sélection de la dimension adéquate du tuyau devant être utilisé. Cela doit être fait en conformité avec tous les codes locaux, provinciaux et nationaux ainsi qu'avec les exigences du fabricant.
2. Toutes les installations ou les applications des fournaises de L.B. White Co., doivent répondre aux exigences des codes locaux, provinciaux et nationaux en matière de gaz naturel, de gaz de pétrole liquéfiés, d'électricité et de sécurité. Vos fournisseur de gaz, électricien agréé local, service d'incendie local et organismes gouvernementaux peuvent vous aider à déterminer ces exigences. En l'absence de codes locaux, respecter les conditions suivantes :
 - a. Installations des États-Unis :
 - Dernière révision de la norme ANSI/NFPA 58 en matière de stockage et de manipulation des gaz de pétrole liquéfiés ou
 - Norme ANSI Z223.1/NFPA 54, Code national du gaz combustible
 - Norme ANSI/NFPA 70, Code national de l'électricité.
 - b. Installations du Canada :
 - Normes CAN1-B149.1 ou CAN1-B149.2 du Codes de l'installation
 - Norme CSA C221, Partie 1 du Code canadien de l'électricité. Norme CSA C22.2 n° 3, Caractéristiques électriques des appareils de combustion.
 3. Ne pas déplacer, manipuler, ou réparer une fournaise en fonctionnement ou branchée à une source d'alimentation ou de carburant.
 4. Cette fournaise peut être installée dans des zones soumises à un lavage. Seul le boîtier externe de cette fournaise peut être lavé — Se reporter aux instructions de nettoyage. Ne pas laver l'intérieur de l'appareil. Utiliser uniquement de l'air comprimé, une brosse à poils souples ou un chiffon sec pour nettoyer l'intérieur de l'appareil et ses composants. Après lavage externe, ne pas faire fonctionner cette fournaise jusqu'à ce qu'elle soit complètement sèche. Dans tous les cas, ne pas faire fonctionner la fournaise pendant au moins une heure après un lavage externe.
 5. Par mesure de sécurité, cet appareil est équipé d'un limiteur de température manuel et un commutateur de vérification de l'air. Ne jamais faire fonctionner cet appareil avec un dispositif de sécurité qui a été contourné. Ne pas faire fonctionner cet appareil à moins que ces caractéristiques soient pleinement opérationnelles.
 6. Ne pas faire fonctionner la fournaise pendant que sa porte est ouverte ou que le panneau est enlevé.
 7. Ne pas placer des récipients de gaz combustible ou des tuyaux d'alimentation en carburant dans les 6 m (20 pi) de la sortie du ventilateur de la fournaise.
 8. Ne pas obstruer les entrées ou sorties d'air d'évacuation de la fournaise. Cela peut entraîner une mauvaise combustion ou endommager les composants de la fournaise se traduisant par des dommages matériels ou la perte d'animaux.

9. L'ensemble de tuyau doit être inspecté visuellement chaque année. S'il est évident qu'il y a une abrasion ou une usure excessive, ou si le tuyau est coupé, il doit être remplacé avant que la fournaise ne soit mise en service. En cours d'utilisation, l'ensemble du tuyau doit être protégé contre les animaux, les matériaux de construction et le contact avec des surfaces chaudes. L'ensemble de tuyau doit être celui précisé par le fabricant. Consulter la liste des pièces.
10. Avant de produire le repeuplement ou en cas de déplacement, vérifier la présence de fuites de gaz et le bon fonctionnement lors de l'installation de la fournaise.
11. Avant tout repeuplement et au moins une fois par année, cette fournaise doit être inspectée par un technicien qualifié pour en assurer le bon fonctionnement.
12. Toujours couper l'alimentation en gaz de l'appareil en cas d'utilisation de la fournaise pour chauffer du bétail.
13. Cette fournaise est câblée et comporte une mise à la terre afin de vous protéger contre les risques de décharge électrique. Elle peut être équipée ou non d'une prise à trois broches (mise à la terre). Peu importe le modèle de la fournaise, elle doit être directement reliée à une alimentation électrique correctement câblée et mise à la terre. Ne pas utiliser une alimentation électrique correctement mise à la terre peut provoquer une décharge électrique, des blessures voire la mort.
14. Les fournaises à allumage direct feront jusqu'à trois tentatives d'allumage. Si l'allumage n'est pas réussi, le système de commande verrouille le robinet de commande du gaz. Si une odeur de gaz se fait sentir après le verrouillage du système, fermer immédiatement tous les robinets d'alimentation en carburant. Ne pas rallumer jusqu'à être convaincu que tout le gaz accumulé s'est finalement dissipé. Dans tous les cas, ne pas rallumer pendant au moins 5 minutes.
15. Dans une installation de type suspendu, un tuyau rigide ou un tube de cuivre couplé directement à la fournaise peut causer des fuites de gaz pendant le mouvement, ce type de tuyau ne doit donc pas être utilisé. Utiliser uniquement des ensembles de tuyaux de gaz qui sont évalués et approuvés pour le propane et le gaz naturel dans un type d'installation suspendue.
16. Les installations qui n'utilisent pas le tuyau de gaz fourni avec cet appareil doivent se connecter dimensionnellement en utilisant la norme nationale américaine en matière de tuyau en acier forgé et en fer forgé B36/10-1970. (Les tuyaux ou les tubes en aluminium ne doivent pas être utilisés.) Lorsque des tuyaux de cuivre sont utilisés pour transporter du gaz naturel, ils doivent être étamés à l'intérieur ou traités d'une façon équivalente afin de résister au soufre.

Instructions générales d'installation



AVERTISSEMENT

Risque de brûlure

Peut causer des dommages matériels, des blessures graves voire mortelles.

1. Couper l'alimentation avant d'effectuer le câblage pour éviter une décharge électrique ou des dommages matériels.
2. Pour éviter l'accumulation dangereuse de gaz combustible, couper l'alimentation en gaz du robinet de service de l'appareil avant de commencer l'installation et avant d'effectuer un test de fuite de gaz une fois l'installation terminée.
3. Ne pas forcer le bouton de commande du gaz. Utiliser seulement votre main pour tourner le bouton de commande du gaz. Ne jamais utiliser d'outils. Si le bouton ne peut être activé manuellement, la commande doit être remplacée par un technicien qualifié. Toute force ou tentative de réparation pourrait provoquer un incendie ou une explosion.

1. Lire toutes les précautions de sécurité et suivre les recommandations de L. B. White lors de l'installation de cette fournaise. Si pendant l'installation ou la relocalisation de la fournaise vous pensez qu'une pièce s'est endommagée ou qu'elle est défectueuse, appeler un atelier de réparation qualifié pour qu'il effectue une réparation ou un remplacement.

2. S'assurer que la fournaise est correctement positionnée et de niveau avant son utilisation. Respecter toutes les distances de sécurité minimales entre la fournaise et les matériaux combustibles les plus proches. Les distances de sécurité minimales sont indiquées sur la plaque signalétique de la fournaise ainsi qu'à la page 4 du présent manuel.

3. L'installation de la fournaise peut être effectuée pour un usage intérieur ou extérieur. Lorsque la fournaise est installée à l'extérieur, utiliser uniquement les conduits fournis dans la trousse de montage extérieur.

4. Pour les fournaises destinées à une installation extérieure, la fournaise doit être installée au moins 46 cm (18 po) au-dessus du sol ou à une hauteur qui empêche la neige de bloquer l'admission d'air de la fournaise.

5. Le régulateur de gaz approprié doit être installé pour l'application de la fournaise. Un régulateur doit être connecté à l'alimentation en gaz de sorte que la pression du gaz à l'entrée du robinet de gaz soit en tout temps régulée dans la plage précisée sur la plaque d'identification. Communiquez avec votre fournisseur de gaz ou avec L.B. White Co., Inc. si vous avez des questions.

6. Le régulateur de gaz de la fournaise (avec soupape de décharge de pression) doit être installé à l'extérieur du bâtiment. Tous les régulateurs se trouvant à l'intérieur des bâtiments doivent être évacués à l'extérieur. Les codes

locaux, régionaux et nationaux s'appliquent toujours à l'installation du régulateur.

7. Tous les régulateurs de pression de gaz doivent être installés en respectant scrupuleusement les consignes de sécurité du fabricant. Ces instructions accompagnent chaque régulateur.
8. S'assurer que tous les accessoires fournis avec la fournaise ont été installés. Cela concerne les déflecteurs d'air, le tuyau, les régulateurs, etc.
9. S'assurer qu'un piège à sédiments est installé à l'entrée de gaz pour empêcher les matières étrangères (composé, éclats et écailles de tuyaux) d'entrer dans la vanne de gaz. Des débris soufflés dans la vanne de gaz peuvent causer un dysfonctionnement entraînant une grave fuite de gaz qui pourrait provoquer un incendie ou une explosion entraînant la perte possible de produits, du bâtiment ou des décès. Un piège à sédiments correctement installé empêchera les matériaux étrangers de pénétrer dans la vanne de gaz et protégera le fonctionnement sécuritaire de cette importante composante de sécurité.
10. Toute fournaise reliée à un système de tuyauterie doit comporter un robinet d'arrêt approuvé accessible à 1,82 m (6 pi) de la fournaise.
11. Vérifier la présence de fuites de gaz à tous les raccords. La détection des fuites de gaz est effectuée comme suit :

- Vérifier toutes les connexions des raccords et des conduites, ainsi que les raccords et les adaptateurs en amont de la commande de gaz au moyen de détecteurs de fuites de gaz approuvés.



AVERTISSEMENT

Incendie et explosion

- Ne pas utiliser de flamme nue (allumettes, torches, bougies, etc.) pour vérifier des fuites de gaz.
- Utiliser des détecteurs de fuites approuvés.
- Le non-respect de cet avertissement peut provoquer des incendies ou des explosions.
- Les incendies et les explosions peuvent causer des dommages matériels, des blessures voire la mort.

-- Si une fuite de gaz est détectée, vérifier la propreté des composants impliqués et l'application adéquate de pâte à joint avant de serrer davantage.

-- Resserrer les raccords de gaz davantage que ce qui est nécessaire pour arrêter la fuite.

- Après la vérification de toutes les connexions et le colmatage de toute fuite, allumer le brûleur principal.
 - Vous écarter tandis que le brûleur principal s'allume pour prévenir les blessures causées par les fuites cachées, ce qui pourrait entraîner un retour de flamme.
 - Avec le brûleur principal en marche, vérifier toutes les connexions des raccords et des conduites, les joints ainsi que l'entrée du robinet de réglage de gaz et les connexions de sortie au moyen de détecteurs de fuites de gaz approuvés.
 - Si une fuite est détectée, vérifier la propreté des filets et l'application adéquate de pâte à joint avant de serrer davantage.
 - Resserrer le raccord de gaz autant que nécessaire pour arrêter la fuite.
 - Le cas échéant, si la fuite ne peut être arrêtée, remplacer les pièces ou composants en cause.
 - S'assurer que toutes les fuites de gaz ont été identifiées et colmatées avant de poursuivre.
12. Un atelier de réparation qualifié doit vérifier la pression du gaz de fonctionnement adéquate lors de l'installation de l'appareil.
 13. Allumer conformément aux instructions sur la fournaise ou dans le manuel du propriétaire.
 14. Il est extrêmement important d'utiliser la taille et le type de conduite d'alimentation de gaz adéquate pour assurer le bon fonctionnement de l'appareil. Communiquez avec votre fournisseur de gaz combustible pour lui faire effectuer l'installation et pour connaître le dimensionnement de conduite adéquat.
 15. Cette fournaise peut être configurée pour être utilisée avec un soutirage de la vapeur des gaz de pétrole liquéfiés ou du gaz naturel. Consulter la plaque signalétique, située à l'intérieur de la porte du côté brûleur ou du côté moteur, pour la configuration en gaz de la fournaise en particulier. Ne pas utiliser l'appareil dans un système ou une application de prélèvement de liquide de gaz de pétrole liquéfiés. Si vous avez des doutes, communiquer avec L.B. White Co., Inc.
 16. Finalement, comme tous les appareils électriques/mécaniques, le thermostat peut connaître des défaillances. Une panne du thermostat peut entraîner un chauffage insuffisant ou une surchauffe, ce qui peut endommager les produits essentiels ou causer des blessures voire la mort de l'animal. Les produits essentiels et les animaux doivent être protégés par un système de commande de secours distinct qui limite les températures basses et élevées et active également les alarmes appropriées.
 17. Prendre le temps de comprendre comment utiliser et entretenir la fournaise à l'aide de ce mode d'emploi. S'assurer de savoir comment couper l'alimentation en gaz du bâtiment et également celui de la fournaise. Communiquez avec votre fournisseur de gaz combustible si vous avez des questions.
 18. Toute défaillance constatée dans l'exécution de l'une des procédures d'entretien ou de maintenance doit être corrigée et les pièces défectueuses doivent immédiatement être remplacées. La fournaise doit être testée de nouveau par le personnel de service dûment qualifié avant de la remettre en utilisation.
 19. Ne pas dépasser la consommation thermique apposée sur la plaque signalétique de l'appareil. Ne pas dépasser la pression d'admission du brûleur indiquée sur la plaque signalétique. Ne pas utiliser une dimension d'orifice différente de celle précisée pour la consommation thermique précisée pour cette fournaise, la configuration de son type de combustible et son altitude.

Instructions d'installation du dispositif de déviation d'air Instructions

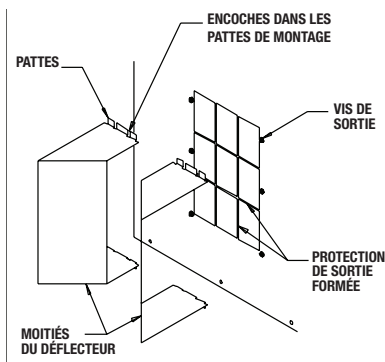
(Doit être commandé séparément)

(L'aspect de la sortie de la fournaise peut varier d'un modèle à un autre.)

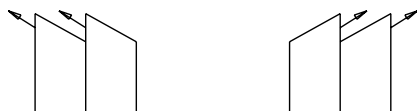
1. Des déflecteurs d'air peuvent être installés dans la sortie de la fournaise pour orienter l'air chaud tandis qu'il sort de la fournaise. Parmi les options d'installation, on trouve l'installation des déflecteurs de manière à largement distribuer l'air dans deux voies de 45 degrés ou de concentrer le débit d'air dans une seule direction de 45 degrés. Consulter la Figure 1.
2. La forme des déflecteurs d'air peut devoir être formée manuellement avant l'installation. Faire des coudes de 90 degrés en utilisant les perforations prévues. Le dérivé devrait alors avoir la forme représentée sur la Figure. 1.
3. Les onglets de déviation de l'air de chaque moitié s'inséreront dans la sortie de l'unité de sortie d'air, entre l'intérieur et la sortie du boîtier de l'unité de sortie d'air. Si les languettes crantées ne s'insèrent pas dans la sortie de l'unité de sortie d'air, desserrer (ne pas retirer) les vis de l'unité de sortie d'air. En agissant de la sorte, un espace sera fourni dans lequel il sera possible d'insérer les onglets. Resserrer les vis après l'installation.

FIGURE 1

(Installation standard permettant deux sens de circulation d'air.)



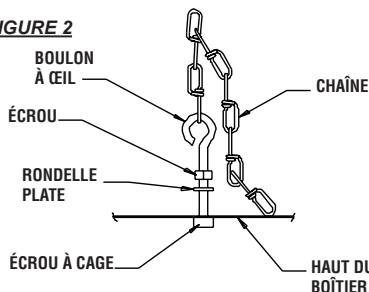
Différentes installations du dispositif de déviation d'air



Instructions d'accrochage

1. Assembler les boulons à œil et la chaîne selon la Figure 2. Bien serrer la quincaillerie. **Les boulons à œil et la chaîne doivent être commandés séparément.**

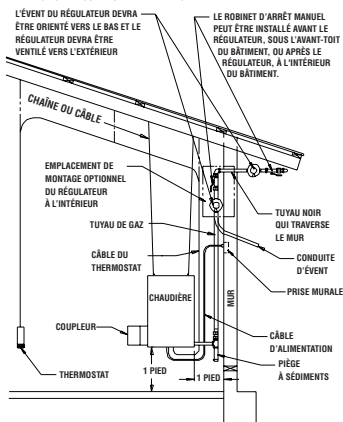
FIGURE 2



2. S'assurer que la fournaise est solidement fixée et qu'elle est de niveau. (Vérifier la longueur et la largeur.)
3. Consulter la Figure 3 pour voir une installation intérieure type. Dans un bâtiment de confinement des animaux, il faut s'assurer que la fournaise est éloignée de l'élevage en sorte que le bétail ne puisse en aucune façon se heurter à la fournaise, la décrocher de son support, ou l'endommager la fournaise ainsi que sa conduite d'alimentation en gaz. S'assurer de respecter toutes les distances de sécurité minimales entre la fournaise et les matériaux combustibles comme indiqué dans la section des spécifications du présent manuel du propriétaire et de la fournaise même.

FIGURE 3

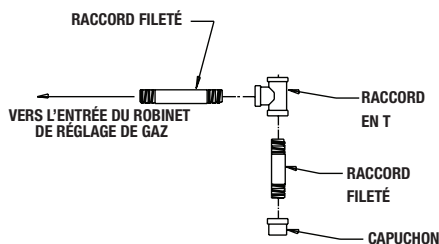
REMARQUE : L'INSTALLATION DU RÉGULATEUR DOIT TOUJOURS ÊTRE EFFECTUÉE À L'EXTÉRIEUR. S'IL EST IMPÉRATIVEMENT IMPOSSIBLE D'INSTALLER LE RÉGULATEUR À L'EXTÉRIEUR, L'ÉVENT DU RÉGULATEUR DEVA ÊTRE ORIENTÉ VERS L'EXTÉRIEUR À L'AIDE D'UNE CONDUITE D'ÉVENT D'UN DIAMÈTRE ÉGAL À CELUI DE L'OUVERTURE DE VENTILATION.



Assemblage du piège à sédiments

Assembler le T, les manchons filetés et les bouchons et les serrer. Consulter la Figure 4. L'ensemble du piège à sédiments doit toujours être monté en position verticale. S'assurer que du composé de filetage qui est résistant à la fois aux gaz de pétrole liquéfiés et au gaz naturel est utilisé sur tous les raccords. Toujours vérifier s'il y a des fuites de gaz aux raccords à l'aide de détecteurs de fuites de gaz approuvés.

FIGURE 4



Robinet d'arrêt manuel, conduite et régulateur (Doit être commandé séparément)

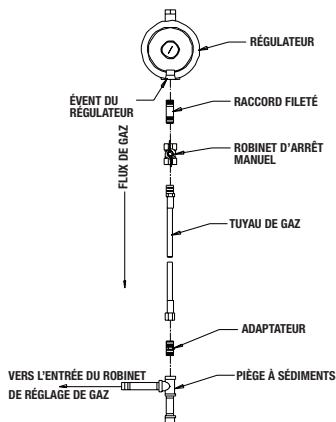
1. Toujours utiliser du composé de tuyau fileté approuvé adapté pour une utilisation avec des raccords filetés pour les gaz de pétrole liquéfiés ou le gaz naturel.
2. Assembler les composants selon la Figure 5. Ce point de vue montre l'ensemble général des composants uniquement. Le régulateur doit toujours être monté de sorte que son évent, indépendamment de son emplacement sur le régulateur, est toujours dirigé vers le bas.

Remarque : Les régulateurs situés dans les portes doivent être évacués vers l'extérieur. Reportez-vous à manuel du Code national du gaz combustible NFPA54, CAN-B1491, CAN-B149,2 ainsi qu'aux codes locaux, le cas échéant.

3. Serrer tous les raccords.

4. **Toujours vérifier s'il y a des fuites de gaz aux raccords à l'aide de détecteurs de fuites de gaz approuvés.**

FIGURE 5



Thermostats

(Doit être commandé séparément)



AVERTISSEMENT

Risque de décharge électrique

- Débrancher l'alimentation électrique avant de connecter le thermostat de la fournaise.
- Le non-respect de cet avertissement peut entraîner une décharge électrique, se traduisant par des blessures voire la mort.

1. Pour connecter le robinet de série, connecter la trousse de thermostat :

(AW060/100/250 UNIQUEMENT)

- a. Brancher le cordon d'alimentation de la fournaise au côté femelle de la fiche se trouvant à l'extrémité du cordon d'alimentation du thermostat de la trousse.
- b. Brancher le côté masculin de la fiche de dérivation de série du robinet sur le cordon de la trousse du thermostat une prise de courant (mise à la terre) à trois fils.

2. Pour connecter la trousse de thermostat à raccord direct à la boîte de contrôle de la fournaise :

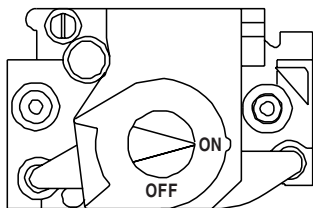
- a. Ouvrir la boîte de commande.
- b. Retirer le fil jaune connecté entre la sortie de 24 volts du transformateur et la borne W de la commande d'allumage.
- c. Retirer le bouchon en plastique à l'arrière ou au bas de la boîte de commande. Faire passer le câblage de la trousse du thermostat à travers cette ouverture.
- d. Connecter le fil noir de la trousse de thermostat à la borne de sortie de 24 volts du transformateur.
- e. Connecter le fil blanc de la trousse du thermostat à la borne W de la commande d'allumage.
- f. Installer le réducteur de tension (fourni sur le cordon du thermostat) autour du cordon au niveau de l'ouverture de la boîte de contrôle.
- g. Fermer et verrouiller la boîte de commande.
- h. Démarrer la fournaise et en vérifier le bon fonctionnement.

Instructions de démarrage

Suivre les étapes 1 à 6 lors du démarrage initial après l'installation de la fournaise par technicien qualifié en entretien et réparation de fournaise au gaz. Pour un démarrage normal, il suffit de tourner le thermostat à un niveau supérieur à la température ambiante. la fournaise se mettra en marche.

1. Ouvrir toutes les vannes d'approvisionnement manuel en carburant et vérifier les fuites de gaz à l'aide de détecteurs de fuites approuvés. Le robinet de réglage du gaz de la fournaise comporte une fonction d'arrêt manuel intégrée dans l'ensemble du robinet et que l'on peut trouver sous un couvercle métallique. Retirer le couvercle de métal (le cas échéant) et vous assurez que l'indicateur sur le robinet est tourné en position de MARCHÉ. Remettre le couvercle en métal. Consulter la Figure 6.

FIGURE 6



2. Branchez le cordon électrique dans une prise approuvée.
3. Réglez le thermostat à la température ambiante souhaitée.
4. Cette fournaise comprend un module de contrôle d'allumage de surface chaude (HSI) à des fins de contrôle de la durée du processus d'allumage de la fournaise ainsi que pour surveiller des fonctions de sécurité. Le module HSI est contenu dans le boîtier de commande.

Sur le module HSI, on trouve une diode émettant de la lumière rouge (DEL). Cette DEL indique l'état de l'appareil. Le témoin est visible à l'extérieur du boîtier de commande à travers l'œil en plastique.

Une DEL émettant une lumière constante indique que la fournaise fonctionne correctement. Tout modèle de clignotement du témoin DEL indique qu'il y a un problème de fonctionnement de la fournaise.

Se reporter à l'autocollant de dépannage se trouvant sur le panneau d'accès côté moteur du ventilateur de la fournaise pour obtenir de l'assistance au dépannage. Seul le personnel qualifié et dûment formé doit entretenir ou réparer le radiateur.

5. Lors d'un appel de chaleur, le moteur se met en marche et fonctionne pendant cinq (5) secondes, puis s'arrête. Cette pré-purge est un dispositif de sécurité et une caractéristique opérationnelle normale avant l'allumage. Après l'arrêt du moteur, l'allumeur se réchauffera (environ 17 secondes). Une fois temps de préchauffage de l'allumeur atteint, le moteur se mettra de nouveau en marche peu de temps après l'allumage.

REMARQUE : Il est normal que l'air soit emprisonné dans le tuyau de gaz dans de nouvelles installations. La fournaise peut tenter plus d'un essai d'allumage avant que l'air soit finalement purgé de la conduite et que l'allumage ait lieu.

6. La commande du HSI fera jusqu'à trois tentatives d'allumage. Chaque essai d'allumage prendra environ 20 secondes. Les deux premières tentatives d'allumage se produisent dans les 40 secondes si l'allumage ne se produit pas. Une période de 15 minutes d'attente commencera après que le deuxième essai d'allumage ait eu lieu. Après un délai de 15 minutes, le troisième et dernier essai d'allumage aura lieu. Si l'allumage n'est pas atteint lors de cet essai ultime, le système se verrouille, et un modèle de trois clignotements sera indiqué par le témoin DEL.

Instructions d'arrêt

Suivre les étapes 1 à 4 si la fournaise est à l'arrêt pour le nettoyage, l'entretien ou la réparation. Sinon, tourner simplement le thermostat à ARRÊT ou à Aucune chaleur pour l'arrêter de façon standard.

1. Fermer toutes les vannes manuelles d'approvisionnement en carburant.
2. Une fois la fournaise allumée, lui permettre de brûler l'excès de carburant dans le tuyau d'alimentation en gaz.
3. Placer le thermostat en position ARRÊT ou aucune chaleur.
4. Débrancher l'alimentation électrique de la fournaise.

Sortie de chaleur variable

1. Certains modèles de fournaies alimentées aux gaz de pétrole liquéfiés ou au gaz naturel comportent une soupape d'étranglement pour faire varier la production de chaleur, celle-ci est située entre le robinet de réglage du gaz et le collecteur de gaz. Consulter la Figure 7. CECI N'EST PAS UN ROBINET D'ARRÊT MANUEL DU GAZ.
2. La soupape d'étranglement peut être ajustée pour fournir un minimum ou un maximum de chaleur. Lorsque la poignée de la soupape d'étranglement est parallèle au débit du gaz, la vanne est complètement ouverte afin de fournir la puissance calorifique maximale. La soupape d'étranglement peut être ajustée à la puissance calorifique minimale en tournant la poignée à 90° par rapport au débit du gaz ou une position quelconque entre les paramètres maximal et minimal. Consulter la Figure 8)

FIGURE 7

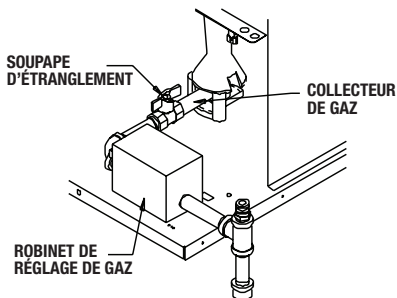
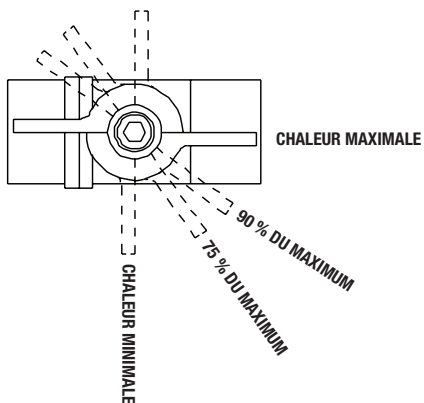


FIGURE 8



Instructions de nettoyage



AVERTISSEMENT

Danger d'incendie, de brûlure et d'explosion

- Cette fournaise contient des composants électriques et mécaniques dans les systèmes de gestion du gaz, de la sécurité et de la circulation de l'air.
- Ces composants peuvent devenir inopérants ou défaillir à cause de la poussière, la saleté, l'usure, le vieillissement ou l'atmosphère corrosive d'un bâtiment de confinement des animaux.
- Un nettoyage et une inspection périodiques ainsi que l'entretien adéquat sont essentiels pour éviter les blessures ou les dommages graves.

1. Avant le nettoyage, fermer le robinet d'alimentation en carburant de la fournaise et débrancher l'alimentation électrique.
2. Toute saleté ou poussière doit périodiquement être enlevée de la fournaise :
 - a. Après chaque troupeau ou entre chaque repeuplement, nettoyer de façon générale la fournaise en utilisant de l'air comprimé ou une brosse à poils souples à l'intérieur et à l'extérieur. À cette étape, dépoussiérer le boîtier du moteur pour éviter qu'il ne surchauffe et ne désactive la fournaise.
 - b. Au moins une fois par an, nettoyer la fournaise en profondeur. À cette étape, retirer l'ensemble du ventilateur et du moteur et brosser ou souffler sur la roue du ventilateur, en accordant une attention particulière à chaque pale. S'assurer en outre que les ports du venturi d'entrée d'air du brûleur et de la gorge du boîtier interne sont libres de poussière et que la zone entre le haut de la chambre de chaleur et le boîtier intérieur est également exempte de poussière.
 - c. En lavant avec de l'eau, il importe d'observer en permanence les instructions de nettoyage. Ce même avertissement est également apposé sur la fournaise.



AVERTISSEMENT

Seul le boîtier externe de cette fournaise peut être lavé, à condition que :

- A. la fournaise soit débranchée de l'alimentation électrique.
- B. tous les panneaux d'accès soient bien fermés.
- C. la buse de pulvérisation d'eau ne doit rien décharger dans un rayon de 1,83 m (6 pi) de la fournaise.
- D. la pression de l'eau ne dépasse pas 45 lb/po² pendant 10 secondes de chaque côté de la fournaise.
- E. la fournaise n'est pas rebranchée à l'alimentation électrique pendant au moins une heure ou jusqu'à ce que la fournaise est complètement sèche.

Un mauvais nettoyage de la fournaise peut causer des blessures graves ou des dégâts matériels en raison de l'eau ou de la solution de nettoyage :

1. Dans les composants électriques, les raccordements et les fils provoquant une décharge électrique ou une défaillance de composant.
2. Sur les composants de commande de gaz provoquant de la corrosion qui peuvent entraîner des fuites de gaz se traduisant par un incendie ou une explosion.

Nettoyer les composants internes de la fournaise avec une brosse à poils souples et secs, un chiffon ou de l'air comprimé.

Instructions de maintenance

1. Demander à votre fournisseur de gaz de vérifier annuellement toutes les conduites de gaz afin d'y déceler des fuites ou des restrictions. En outre, à cette étape, demander à votre fournisseur de gaz d'enlever tous les débris qui se sont accumulés dans le piège à sédiments.
2. Les environs de la fournaise doivent demeurer propres et exempts de matériaux combustibles, d'essence et de toute autre vapeur et tout autre liquide inflammable.
3. Les régulateurs peuvent s'user et fonctionner incorrectement. Demander à votre fournisseur de gaz de vérifier les codes de date sur tous les régulateurs installés ainsi que la pression de livraison de l'appareil pour vous assurer que le régulateur est fiable.
4. Les régulateurs doivent être inspectés périodiquement pour assurer que les événements de régulation ne sont pas bloqués. Les débris, les insectes, les nids d'insectes, la neige ou la glace sur un régulateur peuvent bloquer les ouvertures et provoquer une pression excessive sur l'appareil.
5. Revoir toutes les inscriptions de la fournaise (c'est-à-dire les avertissements, le démarrage/arrêt, câblage électrique, schémas, etc.) pour en assurer la lisibilité. Vérifier qu'aucune n'est coupée, déchirée ou endommagée. Toute inscription endommagée doit être immédiatement remplacée en communiquant avec L.B. White Co., Inc. Les inscriptions sont disponibles sans frais.
6. Inspecter les tuyaux de gaz afin d'y déceler des ébarbures, des coupures ou des raccords corrodés.
Remplacer l'intégralité de l'ensemble du tuyau de gaz si des défauts sont constatés.
7. Inspecter les connexions électriques de la fournaise. Remplacer toutes les bornes corrodées.

Instructions d'entretien courant



AVERTISSEMENT Risque de brûlure

- Les surfaces de la fournaise sont chaudes pendant une certaine période après l'arrêt de la fournaise.
- Laissez la fournaise refroidir l'appareil avant d'en effectuer le service courant, la maintenance ou le nettoyage.
- Le non-respect de cet avertissement pourrait entraîner des brûlures.



AVERTISSEMENT Incendie et explosion

- Ne pas démonter ou tenter de réparer les composants de la fournaise ou les composants du terminal de gaz comme les robinets ou les tuyaux de gaz.
- Tous les composants doivent être remplacés si des défauts sont constatés.
- Le non-respect de cet avertissement peut causer un incendie ou une explosion, causant des dommages matériels, des blessures voire la mort.

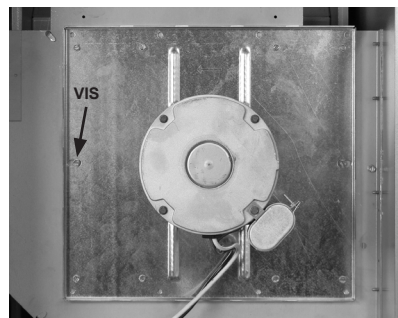
1. Fermer le robinet d'alimentation en carburant de la fournaise et débrancher l'alimentation électrique avant d'effectuer l'entretien, à moins que cela ne soit requis pour votre procédure de service.
2. Nettoyer l'orifice de la fournaise avec de l'air comprimé ou un chiffon doux et sec. Ne pas utiliser des limes, des perceuses, des broches, etc., pour nettoyer l'orifice. Cela agrandirait le trou, provoquant des problèmes de combustion ou d'allumage. Remplacer l'orifice s'il ne peut pas être correctement nettoyé.
3. L'interrupteur de fin de course peut être testé en :
 - Débranchant les câbles au niveau du composant, et pontant les fils.
 - Rebranchant l'alimentation électrique et en ouvrant les robinets d'alimentation en carburant.
 - Si la fournaise s'allume, le composant est défectueux et doit être remplacé.
 - Ne pas laisser le cavalier activé ou faire fonctionner la fournaise si la pièce est défectueuse. Remplacer la pièce immédiatement.
 - Une autre méthode de vérification des composants consiste à effectuer un contrôle de continuité.

4. L'interrupteur de vérification d'air ne doit pas être ponté. S'il est ponté, la commande d'allumage ne permettra pas le fonctionnement de la fournaise. Tester la continuité de l'interrupteur de vérification d'air. Le remplacer s'il est défectueux.
5. Ouvrir le panneau du boîtier respectif pour accéder aux composants du brûleur ou du ventilateur. Ouvrir le boîtier de commande pour accéder au dispositif de commande d'allumage et au transformateur.
6. Débrancher les fils électriques appropriés lors du remplacement des composants.
7. Pour le remontage, inverser la procédure respective. S'assurer que les raccords de gaz sont bien serrés.
8. Après l'entretien, démarrer la fournaise pour assurer son bon fonctionnement et vérifier s'il y a des fuites de gaz.

Assemblage du moteur et du ventilateur

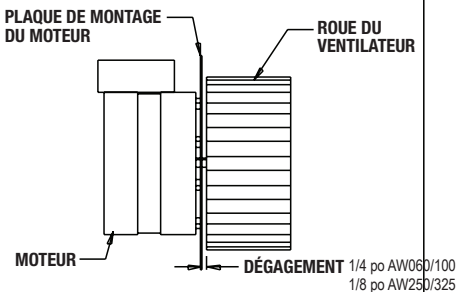
1. Déposer les vis de la plaque du support du moteur et soulever le ventilateur et le moteur du boîtier. Consulter la Figure 9. (AW250 représenté)
2. Desserrer la vis à tête carrée de la roue du ventilateur.
3. Tirer la roue du ventilateur de l'arbre du moteur. Utiliser un extracteur de roue, le cas échéant.
4. Retirer les quatre (4) écrous retenant le moteur à la plaque de montage.

FIGURE 9



REMARQUES :

- L'espacement entre la roue du ventilateur et la plaque de support du moteur doit être ajusté selon le jeu précisé ci-dessous avant de serrer la roue du ventilateur à l'arbre du moteur. Consulter la Figure 10.
- S'assurer que la vis de réglages du ventilateur sont sur les méplats de l'arbre du moteur au moment du serrage.

FIGURE 10

Interrupteur de vérification d'air

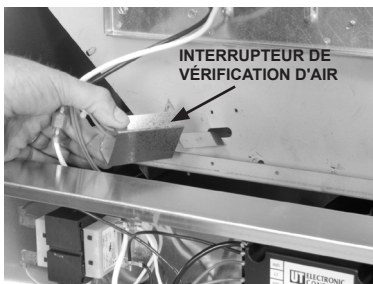
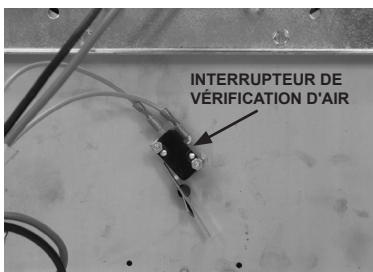
L'interrupteur de vérification d'air est situé sur le boîtier du ventilateur du côté du moteur de la fournaise. Il doit fonctionner correctement pour permettre un cycle d'allumage. L'allumage ne se produira pas si les contacts de l'interrupteur de vérification d'air sont fermés avant que la commande d'allumage ne démarre le moteur du ventilateur, ou qu'ils ne se ferment pas lors d'un appel de chaleur après le démarrage du moteur du ventilateur.

AW060/100/250 (Figure 11a) :

- Retirez les deux (2) vis de fixation métallique qui retiennent l'interrupteur avec support au boîtier du ventilateur.
- Retirer l'ensemble en tournant l'interrupteur de sorte que la palette sur son bras puisse être tirée à travers l'orifice oblong sur le côté ventilateur du boîtier.

AW325 (Figure 11b) :

- Retirez les écrous de montage et faites glisser le commutateur de vis de montage.

FIGURE 11 a.**FIGURE 11 b.**

Obturateur (voile) (AW325)

Avant de permettre un cycle d'allumage de continuer, le clapet, situé dans le boîtier au niveau de la décharge de l'unité de sortie d'air, travaille en collaboration avec l'interrupteur de vérification d'air afin de prouver que le débit d'air adéquat est obtenu par le ventilateur et le moteur. Consulter la Figure 12.

Si le clapet est entravé, son bras n'engagera pas l'interrupteur de vérification de l'air et l'allumage ne se produira pas.

S'assurer que le clapet se soulève librement, qu'il n'est pas entravé par le boîtier du ventilateur et qu'il est exempt de poussière et d'autres débris.

FIGURE 12

Allumeur

1. Consulter la Figure 13 pour le démontage.
2. Lors du remontage, bien serrer la vis de fixation de l'allumeur. (Ne pas trop serrer).

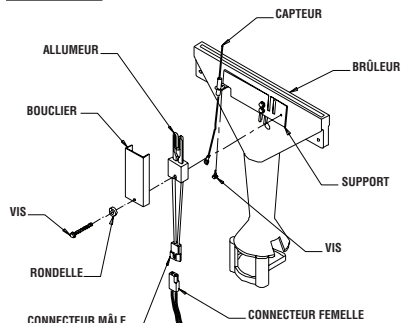
Test

- Effectuer une vérification ohms entre les fils d'allumage d'un allumeur froid. Les lectures OHM varient quelque peu, mais elles se trouveront généralement dans la gamme des 40 à 70 ohms. Une lecture montrant une surcharge ou une résistance infinie indique une défaillance de l'allumeur.

Détecteur de flamme

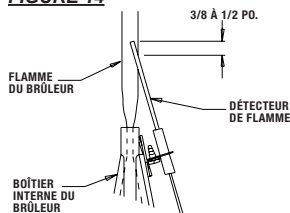
1. Enlever le capteur de son support de montage. Consulter la Figure 13. Nettoyer la tige du capteur avec de la laine d'acier ou de la toile d'émeri. Frotter vivement pour enlever l'accumulation de poussière, de saleté et d'oxyde.

FIGURE 13



2. Vérifier si la base isolante du capteur de la flamme comporte des fissures. Si des fissures sont constatées, remplacer le capteur.
3. Placer le détecteur de flamme comme le montre la Figure 14.

FIGURE 14



Interrupteur de fin de course



AVERTISSEMENT

Risque de brûlure

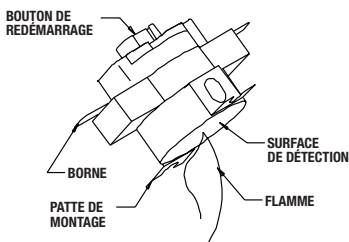
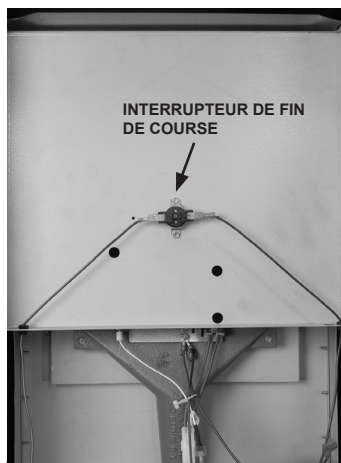
- Ne pas faire fonctionner la fournaise si l'interrupteur de fin de course est contourné.
- Faire fonctionner une fournaise avec un l'interrupteur de fin de course contourné peut conduire à une surchauffe, ce qui pourrait causer un incendie, des dommages subséquents à la fournaise ou au bâtiment ainsi que des pertes de bétail.

Cette fournaise utilise un interrupteur de fin de course pour protéger contre la surchauffe. L'interrupteur de fin de course est situé sur la chambre de chaleur, voir la Figure 15. Il est connecté entre la commande d'allumage et le robinet de commande du gaz.

Les contacts de l'interrupteur sont normalement fermés. Si une surchauffe se produit, les contacts de l'interrupteur s'ouvrent, ouvrant ainsi le circuit du robinet de réglage du gaz. L'interrupteur de fin de course doit être testé au moins une fois par an lorsque la fournaise nettoyée en profondeur.

1. Retirer l'interrupteur. En maintenant le commutateur par une de ses pattes de montage, appliquer une petite flamme uniquement dans la partie de détection à l'arrière de l'interrupteur. Consulter la Figure 16. Ne pas faire fondre le boîtier en plastique de l'interrupteur lors de cet essai.
2. En une minute, vous devriez entendre un bruit provenant de l'interrupteur, ce qui indique que les contacts de l'interrupteur se sont ouverts. Pour vérifier contacts sont ouverts, contrôler l'absence de continuité électrique entre les bornes du commutateur.

FIGURE 15

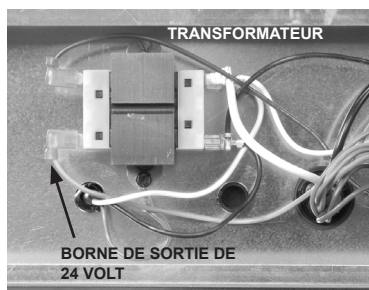


Transformateur

Le transformateur reçoit 120 volts et le réduit à 24 volts. Les 24 volts sont fournis au dispositif de commande de l'allumage pour amorcer le processus d'allumage. Consulter la Figure 17.

-- La fournaise ne fonctionne pas si 24 volts ne sont pas alimentés au contrôleur d'allumage par le transformateur.

FIGURE 17



Relais (AW325)

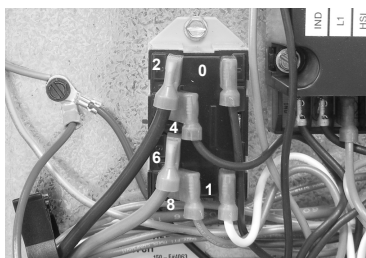
Le relais fournit l'alimentation au moteur et il comporte un certain nombre adjacent de ses bornes mâles pour faire référence à la tension reçue et fournie à des fins de dépannage.

Reportez-vous à la Figure 18 et au tableau suivant pour les vérifications des connexions du câblage et de la tension.

Borne	Fonction
2	115 volts du relais au moteur.
4	115 volts à relais de l'alimentation.
6	115 volts du relais au moteur
8	115 volts du relais à l'alimentation
0	115 volts à partir du contrôleur d'allumage au relais pour la fermeture de la bobine
1	Neutre au relais

Si le relais reçoit 115 volts à la borne 0 de la commande d'allumage, ainsi qu'une tension d'alimentation entrante aux bornes 4 et 8, mais qu'aucune tension n'est fournie au moteur à partir de bornes 2 et 6, cela signifie que le relais est défectueux.

FIGURE 18



Orifice du brûleur et robinet de réglage du gaz

- Enlever ce qui suit :
 - Le tuyau et la trappe à sédiments de la fournaise.
 - La douille en plastique de l'orifice d'entrée de gaz (le cas échéant). Consulter la Figure 19.
 - Vis de support à l'entrée du robinet de réglage du gaz. Consulter la Figure 19.
 - Le boulon de retenue du brûleur de sous de la base. Consulter la Figure 20.
- Faites pivoter le clapet/collecteur comme requis pour que l'orifice du collecteur se dégage du port du venturi du boîtier interne du brûleur. Consulter la Figure 21.

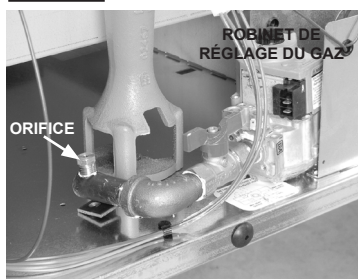
FIGURE 19



FIGURE 20



FIGURE 21



Commande de l'allumage

La commande envoie et reçoit des tensions pour faire fonctionner ou pour vérifier le fonctionnement des composants. Se reporter à ce qui suit ainsi qu'à la Figure 22 pour comprendre les indicatifs de borne de la commande d'allumage afin de procéder à vérifications de tension sur la commande.

IND : 115 V c.a de la commande au moteur

L1 : 115 V c.a de l'alimentation électrique à la commande

HSI : 115 V c.a de la commande à l'allumeur de surface chaude

HSIG : Retour au neutre de l'allumeur

L2 : Neutre de commande

W : Entrée de 24 V c.a du transformateur (sans cette tension la commande d'allumage ne fonctionnera pas)

Lb/po² : 24 V c.a de la commande à l'interrupteur de vérification d'air

FSI : Microtension de la commande au capteur de flamme

GV : 24 V c.a de la commande à l'interrupteur de fin de course, puis au robinet de commande du gaz.

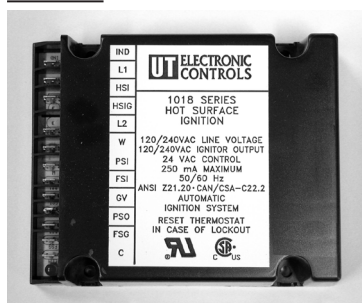
PSO : Retour de 24 V c.a de l'interrupteur de vérification d'air à la commande

FSG : Mise à la terre du détecteur de flamme

C : Mise à la terre de la commande

Le cas échéant, se référer également à la rubrique « Séquence d'opération » du présent manuel pour comprendre le fonctionnement de la commande d'allumage lors d'un appel de chaleur.

FIGURE 22



Vérifications de la pression du gaz



AVERTISSEMENT

- Ne pas démonter le robinet de réglage du gaz.
 - Ne pas essayer de remplacer les composants du robinet de réglage du gaz.
 - Le robinet de réglage du gaz doit être remplacé en cas de dommage physique se produisant à l'ensemble du robinet.
 - Le non-respect de cet avertissement peut se traduire par un incendie ou une explosion, ce qui peut entraîner des blessures voir la mort d'êtres humains ainsi que des dommages matériels.
- Ce qui suit explique une procédure type à suivre pour contrôler les pressions de gaz.
 - Les pressions de gaz varieront en fonction du type de carburant.
 - Consulter la plaque signalétique sur la fournaise ou la page 4 du présent manuel pour connaître les pressions précises devant être utilisées en plus de cette procédure.
 - La pression de gaz mesurée à l'entrée du robinet de gaz correspond à la pression d'arrivée et la pression de gaz mesurée à la sortie du robinet de gaz correspondent à la pression d'admission du brûleur.

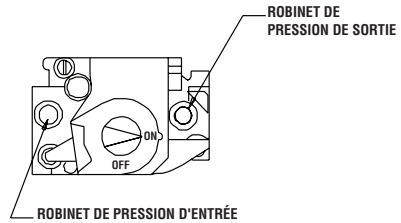
A. Préparation

1. Obtenir deux manomètres capables de lire jusqu'à 35 po de colonne d'eau
2. Débrancher l'alimentation électrique de la fournaise et fermer le robinet d'alimentation en carburant à l'entrée de la fournaise.
3. Ouvrir le panneau d'accès du brûleur.
4. Brosser ou enlever toute poussière et saleté sur le robinet de réglage du gaz ou à proximité de celui-ci.

B. Installation de manomètre

1. Repérer les robinets de pression d'entrée et de sortie, voir la Figure 23. Retirer le bouchon de suppression en utilisant une clé Allen de 3/16 po.

FIGURE 23

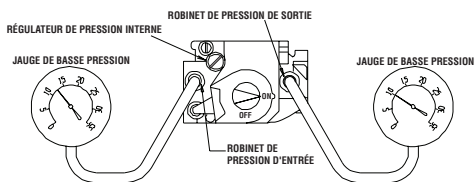


2. Connecter en toute sécurité un manomètre à chaque robinet de pression.
3. Ouvrez les robinets d'alimentation en carburant de la fournaise et rebrancher l'alimentation électrique de la fournaise.
4. Démarrer la fournaise

C. Lectures de la pression

1. Alors que la fournaise est en marche, les manomètres doivent lire les pressions précisées sur la plaque signalétique.
2. Est-ce que les lectures à l'entrée et à la sortie des jauges de pression correspondent à celles précisées sur la plaque signalétique? Si la réponse est positive, aucune autre vérification ou réglage n'est nécessaire. Passer à la section D.
3. Si les pressions d'entrée ne correspondent pas à celle indiquée sur la plaque signalétique, la pression de gaz du régulateur contrôlant la fournaise nécessite un ajustement.
4. Si les pressions d'entrée sont adéquates et que la pression d'admission du brûleur ne convient pas à ce qui est précisé sur la plaque signalétique, cela signifie que le régulateur de pression interne du robinet de réglage du gaz nécessite un ajustement. Consulter la Figure 24 pour connaître l'emplacement du régulateur.

FIGURE 24



L'EXEMPLE ILLUSTRE LA PRESSION POUR LE GAZ PROPANE VÉRIFIEZ TOUJOURS LA PRESSION SUR LA PLAQUE SIGNALÉTIQUE

D. Achèvement

1. Une fois les pressions d'entrée et d'admission au brûleur appropriées confirmées ou correctement configurées, fermer le robinet d'alimentation en carburant de la fournaise et laisser la fournaise brûler tout le gaz restant dans la conduite d'alimentation.
2. Débrancher l'alimentation électrique de la fournaise.
3. Retirer les manomètre et les tuyaux de raccordement.
4. Installer les bouchons de surpression et serrer bien. Vérifier s'il y a des fuites de gaz.

Guide de dépannage

LIRE L'INTÉGRALITÉ DE CETTE SECTION AVANT DE COMMENCER À RÉSOUDRE LES PROBLÈMES.



AVERTISSEMENT

Risque de décharge électrique et de brûlure

- Le dépannage de ce système peut exiger d'utiliser l'appareil alors qu'une tension secteur est présente et que le gaz est ouvert. Faire preuve d'une extrême prudence lorsque vous travaillez sur la fournaise.
- Le non-respect de cet avertissement peut entraîner des dommages matériels, des blessures voire la mort.

Les représentations graphiques du dépannage aux pages suivantes fournissent des procédures systématiques pour isoler les problèmes de matériel. Les graphiques sont destinés à être utilisés par un TECHNICIEN QUALIFIÉ EN FOURNAISE ALIMENTÉE AU GAZ. **NE PAS EFFECTUER L'ENTRETIEN OU LA RÉPARATION DE CES FOURNAISES À MOINS D'AVOIR ÉTÉ ADÉQUATEMENT FORMÉ.**

ÉQUIPEMENT DE TEST OBLIGATOIRE

Les pièces d'équipement d'essai suivantes seront nécessaires pour résoudre les problèmes de ce système avec un minimum de temps et d'efforts.

- **Multimètre numérique** - pour mesurer la tension et la résistance CA et CC.
- **Jauge de basse pression** - (n° 00764) pour vérifier les pressions d'entrée et de sortie de la vanne de commande de gaz en fonction des données figurant sur la plaque signalétique.

PRÉPARATION INITIALE

- Visuellement inspecter l'équipement pour y déceler tout dommage apparent.
- Vérifier l'intégralité du câblage pour y déceler toute connexion desserrée et toute isolation usée.

Reportez-vous à la séquence de fonctionnement du système dans cette section afin de mieux comprendre la façon dont fonctionne le matériel lors d'un appel de chaleur.

Une bonne compréhension de la séquence de fonctionnement du module d'allumage et composants connexes est essentielle, car elle va se rapporter directement à la résolution de problèmes indiqués par les représentations graphiques.

Le module de commande de l'allumage effectue un autodiagnostic. Un témoin rouge constamment allumé indique un fonctionnement normal. Un témoin rouge clignotera en suivant un modèle précis, indiquant qu'un problème de fournaise est identifié, en fonction du problème qui est diagnostiqué.

Pour utiliser efficacement les représentations graphiques, vous devez d'abord identifier quel est le problème en observant le modèle de clignotement du témoin de diagnostic. Si le témoin clignote, le motif de clignotement sera suivi d'une pause, puis il y aura une répétition du motif de clignotement jusqu'à ce que le problème soit corrigé.

Se reporter aux tableaux ci-dessous pour identifier quelle page consulter lors de la résolution des problèmes.

<u>Problèmes</u>	<u>Page</u>
Le témoin de diagnostic n'est pas allumé pendant un appel de chaleur	27
Le témoin DEL de diagnostic clignote :	
A. Clignotement rapide	28
B. Long clignotement (2 secondes allumé et 2 secondes éteint)	28
C. Une fois	28
D. Deux fois	29
E. Trois fois	30
F. Quatre fois	30
G. Cinq fois	30
H. Six fois	30

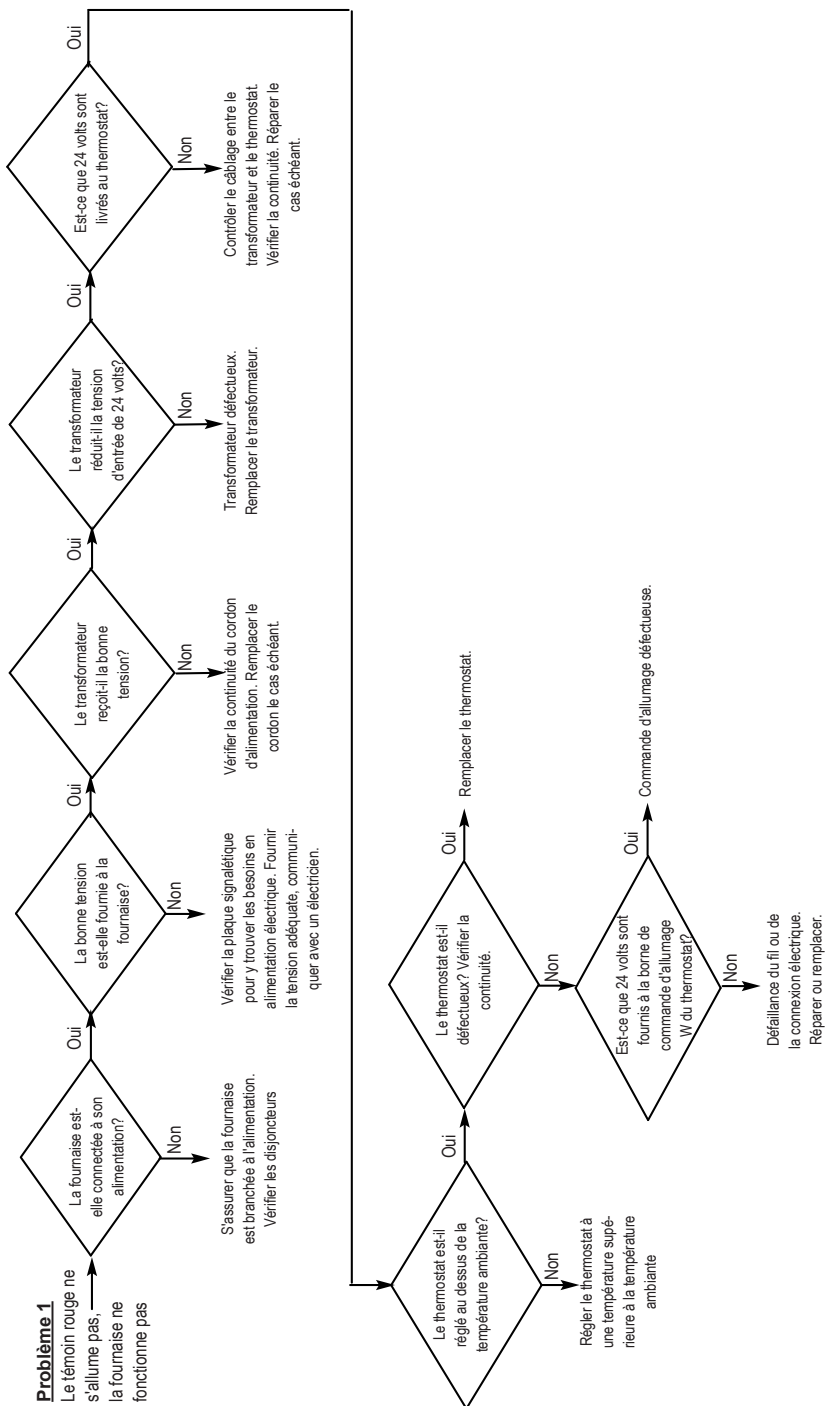
Les composants doivent uniquement être remplacés suite à l'achèvement de chaque étape et le remplacement est suggéré dans les représentations graphiques.

SÉQUENCE DE FONCTIONNEMENT :

- La tension secteur est envoyée au transformateur
- Rameaux de borne du transformateur de ligne hors tension à la borne de commande d'allumage L1.
- Le transformateur réduit la tension secteur à 24 V c.a.
- 24 V c.a sont envoyés au thermostat.
- Le thermostat se ferme et retourne 24 volts à la borne W de la commande d'allumage.
- Le témoin rouge de la commande d'allumage est allumé.
- La commande d'allumage envoie un courant de détection de flamme au capteur de flamme.
- Le module de commande de l'allumage effectue un contrôle de sécurité automatique.
 - Les composants internes sont testés.
 - Le circuit de vérification d'air est testé
 - La commande envoie 24 V c.a de la borne PSI à l'interrupteur de vérification d'air.
- Le module de commande d'allumage amorce la séquence d'essai de l'allumage.
- La commande d'allumage envoie 115 volts de la borne IND au moteur. (Modèle AW325 : La commande d'allumage envoie 115 volts à la borne 0 du relais du moteur. Le relais se ferme et envoie 115 volts des bornes 2 et 6 pour démarrer le moteur.
 - Le moteur démarre.
- L'interrupteur de vérification d'air se ferme et 24 volts sont retournés à la borne PSO de la commande d'allumage.
 - Le moteur s'arrête.
- Le module de commande d'allumage envoie 115 volts à l'allumeur de surface chaude.
 - L'allumeur atteint la température d'allumage en 17 secondes.
- La commande d'allumage redémarre le moteur du ventilateur tout en envoyant 24 V c.a à l'interrupteur de vérification d'air.
 - L'interrupteur se ferme et 24 volts sont retournés à la commande.
- La commande d'allumage envoie 24 volts de la borne GV à l'interrupteur de fin de course.
 - Si les contacts de fin de course sont fermés, la limite envoie 24 volts au robinet de réglage du gaz
- Le robinet de réglage du gaz s'ouvre
- L'allumage se produit.
- Un courant de détection de flamme est passé à travers la flamme du brûleur et revient à la commande d'allumage.
- L'allumeur reste en marche jusqu'à ce que la commande d'allumage prouve la détection de flamme
 - L'allumeur s'arrête ensuite.
 - Le robinet de réglage du gaz demeure ouvert
- Réchauffement de la chambre à la température désirée.
 - Le thermostat est satisfait.
 - La fournaise s'arrête.
- Le processus recommence lors d'un appel de chaleur.

SÉQUENCE D'ALLUMAGE INFRUCTUEUSE :

- Le premier essai d'allumage prendra environ 20 secondes.
- Deux autres essais d'allumage se produisent
 - Le deuxième essai suit immédiatement un première tentative infructueuse.
 - Si le deuxième essai est infructueux, la commande d'allumage amorce une période d'attente de 15 minutes
 - Au bout de 15 minutes, la commande d'allumage tente sa troisième et dernière tentative d'allumage
- Si la commande d'allumage ne prouve pas qu'il y a une flamme au brûleur après la troisième tentative, la commande passe en verrouillage de sécurité (trois clignotements)
 - Le robinet de gaz se referme.
 - L'allumeur de surface chaude arrête.
 - Le moteur du ventilateur s'arrête.
- Pour tenter un nouvel allumage, éteindre la fournaise, puis la rallumer.



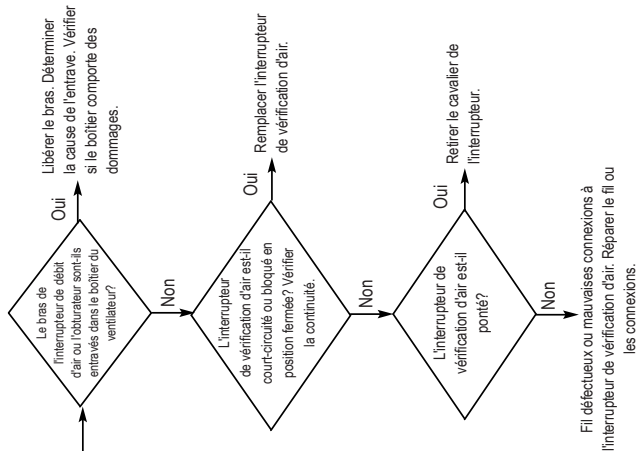
Témoin rouge clignotant

Clignotement rapide → Polarité inversée. Faire vérifier les connexions du fil neutre et à tension positive par un électricien à la sortie à laquelle la fournaise est connectée.

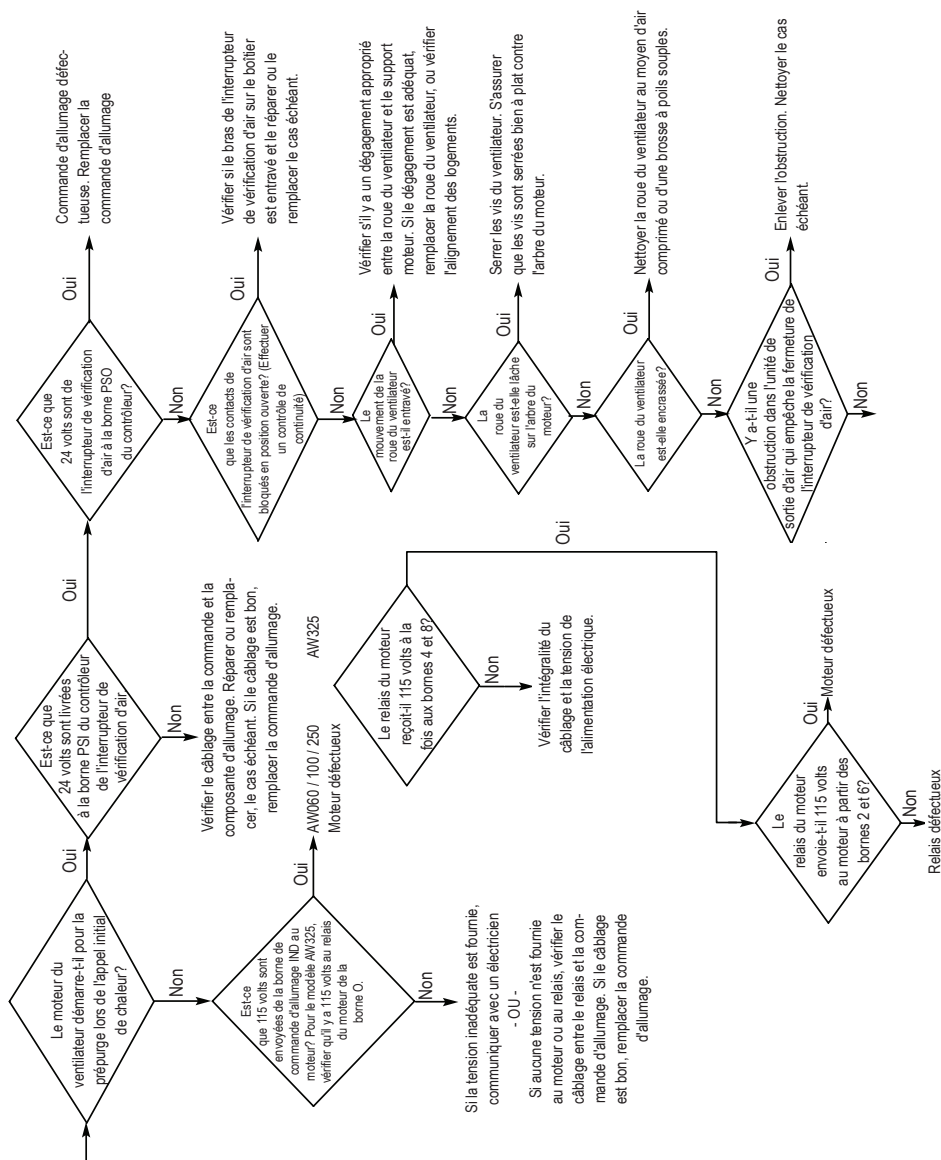
Clignotement long → La fournaise a tenté deux essais d'allumage. La fournaise fait une pause de 15 minutes avant de tenter sa troisième (et dernière) tentative d'allumage. Si l'allumage n'est pas réussi après la troisième tentative, la fournaise se verrouillera et le module de commande d'allumage affichera un modèle de clignotement à trois reprises. Redémarrer la fournaise ou attendre qu'elle tente son troisième essai d'allumage.

Une fois

Les contacts de l'interrupteur de vérification d'air sont fermés avant de prouver qu'un appel de chaleur est établi.



**Deux fois
Manque de
présence d'air
dans la section
du ventilateur.**



Trois fois :

Échec d'allumage la fournaise ne s'allume pas ou ne reste pas allumée

Les gaz de la poche à gâche métrée est-elle pleine et correctement dimensionnée et est-ce que tous les robinets d'alimentation en gaz ont été fermés ?

Oui
Remplir le réservoir ou le redimensionner le cas échéant. Ouvrir tous les robinets d'alimentation en gaz.

Non
Communiquez avec un électricien. Pour fonctionner correctement, le système doit être mis à la terre.

La fournaise est-elle correctement mise à la terre ?

Oui
Fournir la bonne pression à la fournaise et vérifier avec un manomètre.

Non
Réinitialiser l'interrupteur et :
- Confirmer que le combustible adéquat est utilisé pour la fournaise.
- Tension appropriée au moteur.
- Pousserie et accumulation.
- Encrassement de l'ensemble du ventilateur.
- Ventilateur mal serré sur le moteur.
- Obstructions dans la fournaise.

Les contacts de l'interrupteur de fin de course sont-ils fermés ?

Oui
Réalimentez l'interrupteur et :
- Confirmer que le combustible adéquat est utilisé pour la fournaise.
- Tension appropriée au moteur.
- Pousserie et accumulation.
- Encrassement de l'ensemble du ventilateur.
- Ventilateur mal serré sur le moteur.
- Obstructions dans la fournaise.

Non
Vérifier la tension au cabinet. Vérifier le câblage et le réparer s'il est défectueux. Si le câblage est bon et qu'il n'y a aucune tension, remplacez l'interrupteur de fin de course.

24 volts sont-ils envoyés à partir de la borne OV de la commande à l'interrupteur de fin de course après le réajustement d'allumage et le démarrage du moteur du ventilateur ?

Oui
Vérifier la tension au cabinet. Vérifier le câblage et le réparer s'il est défectueux. Si le câblage est bon et qu'il n'y a aucune tension, remplacez la commande d'allumage.

Est-ce que 24 volts sont fournis de l'interrupteur de fin de course au robinet de réglage du gaz ?

Oui
Vérifier la tension au robinet de réglage du gaz.

Oui

La lecture de la pression d'admission du brûleur est-elle adéquate à la sortie du robinet de gaz ?

Non
a. Si une lecture de basse ou de haute pression est obtenue, régler la pression de sortie.
B. Si aucune lecture de pression n'est obtenue, remplacer le robinet de réglage du gaz.

Oui
Est-ce que le brûleur, le boîtier intérieur du brûleur et le collecteur ont été vérifiés afin de déceler des blocages ?

Non
Enlever l'orifice et le boîtier intérieur. Nettoyer à l'air comprimé ou avec une brosse à poils souples.

Oui
L'allumeur rougeoie-t-il ?

Oui
L'allumeur est-il correctement connecté ?

Non
Brancher l'allumeur à son câblage.

Oui
Le câblage a-t-il été contrôlé entre la commande d'allumage et le capteur ?

Non
Vérifier le câblage. Réparer ou remplacer.

Oui
Le capteur de flamme est-il propre ?

Non
Nettoyer le capteur de flamme avec une boule d'émeri ou de la laine d'acier.

Oui
L'isolant du capteur de flamme est-il fissuré ?

Non
Le capteur de flamme est-il correctement positionné ?

Non
Placer le capteur de flamme de sorte que 1/2 à 3/4 po de la pointe entre en contact avec la flamme du brûleur.

Quatre :**Temps :**

Réinitialiser la commande d'allumage. Si la commande d'allumage ne déclenche pas, remplacer le panneau. Si la lecture de la pression est faible, vérifier la tension, les connexions desserrées, câble de fil inadéquat.)

Cinq :**Temps :**

Mauvaise détection de la flamme. Vérifier toutes les connexions de mise à la terre. S'assurer que le capteur de flamme est sécurisé et que son support de montage est correctement positionné. Nettoyer le capteur et vérifier ses connexions.

Six :**Temps :**

Faible sortie du capteur de flamme. La fournaise continuera à fonctionner normalement. Le capteur de flamme est faible et une défaillance de la flamme ou un mauvais fonctionnement peut se produire à tout moment. Voir les problèmes liés au capteur de flamme selon le modèle de la fournaise.

Vérifier le câblage. Réparer le câblage le cas échéant. Si le câblage est bon, remplacer la commande d'allumage.

Aluminateur défectueux. Effectuer une vérification de continuité et remplacer l'allumeur le cas échéant.

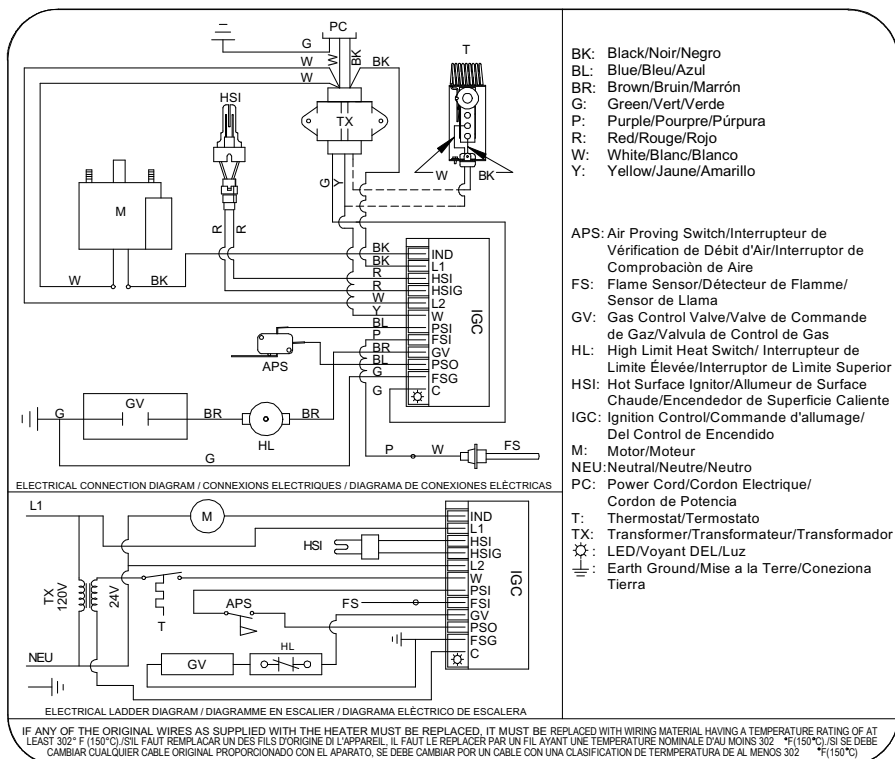
Raccordement électrique et diagramme en échelle



PRUDENCE

Lors de l'entretien, toujours se reporter au schéma de raccordement électrique de la fournaise pour éviter les erreurs de câblage et le dysfonctionnement de la fournaise. S'assurer du bon fonctionnement après l'entretien.

Schéma de connexion AW060/100/250 :

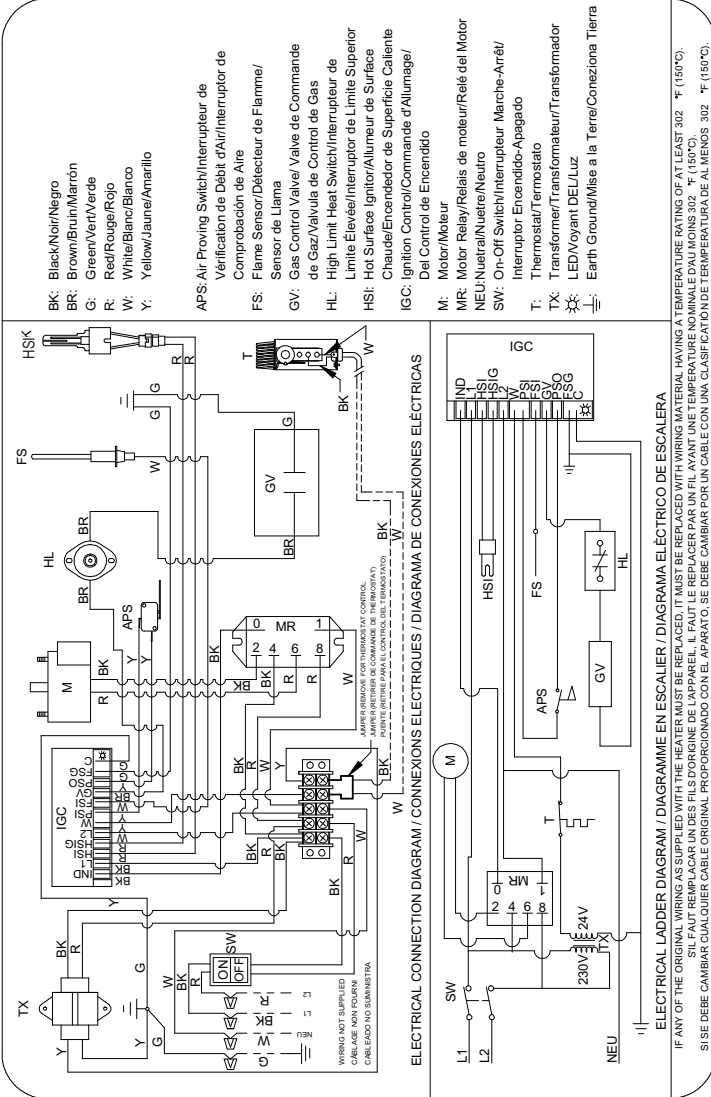


Raccordement électrique et diagramme en échelle

PRUDENCE

Lors de l'entretien, toujours se reporter au schéma de raccordement électrique de la fournaise pour éviter les erreurs de câblage et le dysfonctionnement de la fournaise. S'assurer du bon fonctionnement après l'entretien.

Schéma de connexion AW325 :



Fonction du composant de la fournaise

Interrupteur de vérification d'air

Le dispositif de sécurité utilisé pour assurer que la circulation d'air est atteinte avant l'ouverture du robinet de gaz.

Brûleur

Un composant de fonte est utilisé pour canaliser le gaz et fournir une zone où le carburant peut s'enflammer.

Orifice du brûleur

Un dispositif de dosage en laiton est utilisé pour alimenter le brûleur à gaz à un taux précis.

Logement du ventilateur

Chambre utilisée pour comprimer l'air assurer une circulation d'air efficace.

Roue de ventilateur

Un composant utilisé en conjonction avec le moteur et le boîtier du ventilateur pour aspirer l'air chaud de la fournaise et le souffler dans la pièce afin de la réchauffer (également appelé une cage d'écreuil).

Détecteur de flamme

Aussi connu comme une tige de flamme ou de la sonde de flamme, ce dispositif fonctionne en conjonction avec le module d'allumage pour prouver que la flamme du brûleur a été allumée.

Obturbateur

Une voile/une aile qui se trouve à la sortie de l'unité de sortie d'air se soulève s'il y a une augmentation de la pression d'air générée par le ventilateur et le moteur. Cela aide à établir que le débit d'air adéquat est obtenu avant que l'allumage se produise.

Robinet de réglage du gaz

Un dispositif qui consiste en un régulateur de basse pression et des solénoïdes électriques est utilisé pour contrôler le débit de gaz en direction du brûleur. Une caractéristique de la commande est intégrée au robinet d'arrêt qui est utilisé pour isoler la fournaise de son approvisionnement en gaz lors de l'entretien.

Tuyau de gaz

Connecteur flexible utilisé pour transporter du gaz entre la conduite d'alimentation du bâtiment et la fournaise.

Chambre de chaleur

Boîte de métal protectrice se trouvant à l'intérieur de l'appareil où la flamme du brûleur se mélange à l'air de combustion fournissant ainsi de la chaleur.

Interrupteur de fin de course

Dispositif de sécurité branché au système de commande qui est utilisé pour rompre un circuit électrique au robinet de réglage du gaz en cas de surchauffe.

Allumeur de surface chaude

Dispositif d'allumage électrique utilisé sur les systèmes de contrôle automatique de l'allumage. Enflamme le gaz au moyen de la température de surface plutôt qu'avec une étincelle ou une flamme.

Module de commande de l'allumage

Contrôle la séquence d'allumage et le fonctionnement de la fournaise ainsi que la surveillance des dispositifs de sécurité. Une caractéristique de service majeure est la capacité du panneau à diagnostiquer les défaillances des composants et de la flamme au moyen d'un témoin de diagnostic situé dans le module. Ce témoin fournira un modèle de clignotement précis répétitif, en fonction du type de défaillance de composant qui a eu lieu.

Moteur

Dispositif électrique utilisé pour forcer l'air préchauffé à travers la fournaise et faire circuler la chaleur dans une certaine zone. Convertit l'énergie électrique en énergie mécanique.

Régulateur

Le cœur de toute installation d'alimentation en gaz. Il est utilisé pour fournir une pression de service à la fournaise dans des conditions variables de pression du réservoir.

Relais (utilisé sur le modèle AW325)

En liaison entre la commande d'allumage et le moteur, le relais est utilisé pour fournir un total de 220 volts au moteur du ventilateur en recevant 115 volts de la commande d'allumage.

Thermostat

Appareil électrique utilisé comme un interrupteur marche/arrêt automatique qui répondra aux changements de température dans une certaine zone. Peut être câblé de sorte que les contacts dans le thermostat s'ouvrent ou se ferment en fonction d'une augmentation ou d'une diminution de la température.

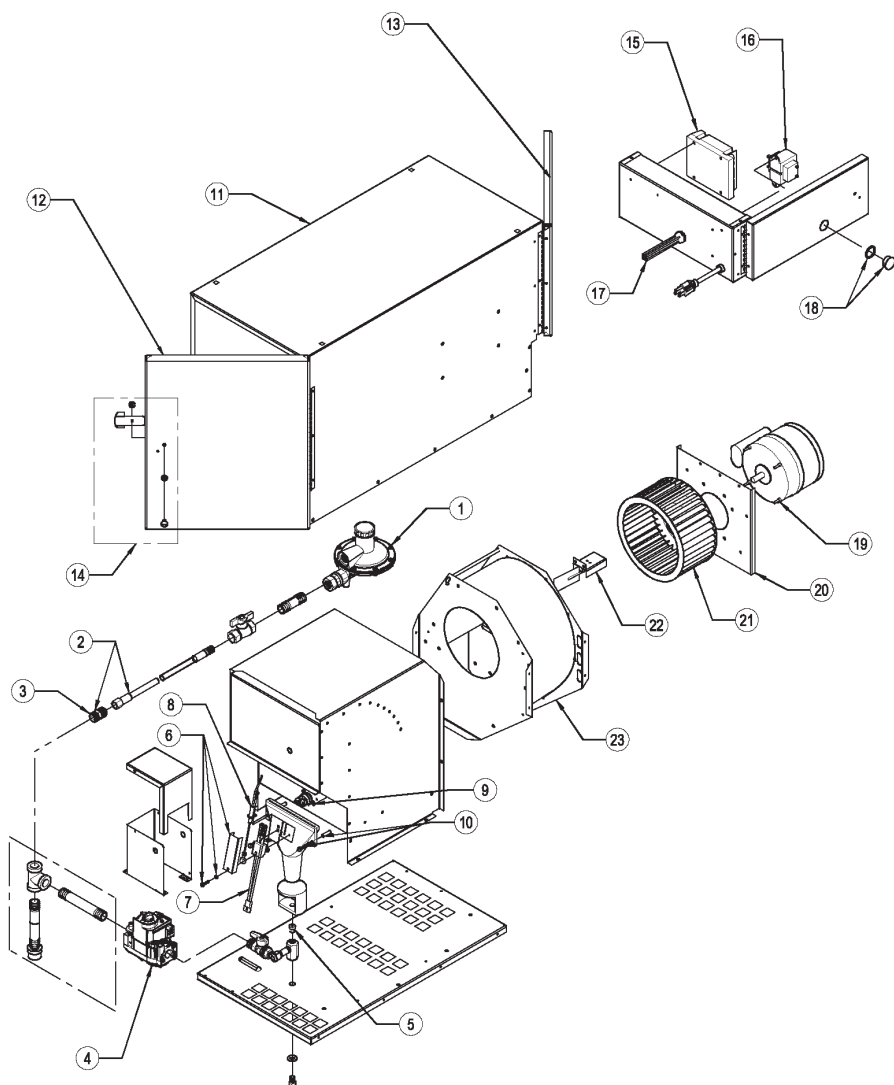
Soupape d'étranglement

Composant réglable manuellement utilisé pour augmenter ou diminuer le débit de gaz au brûleur. La soupape d'étranglement est située entre le robinet de réglage du gaz et l'ensemble du brûleur.

Transformateur

Ce dispositif réduit une tension d'entrée plus élevée (normalement de 120 V c.a.) à une tension de sortie inférieure. La tension inférieure (24 V c.a.) est essentielle au fonctionnement du module de la commande d'allumage.

Schémas d'identification des pièces de rechange



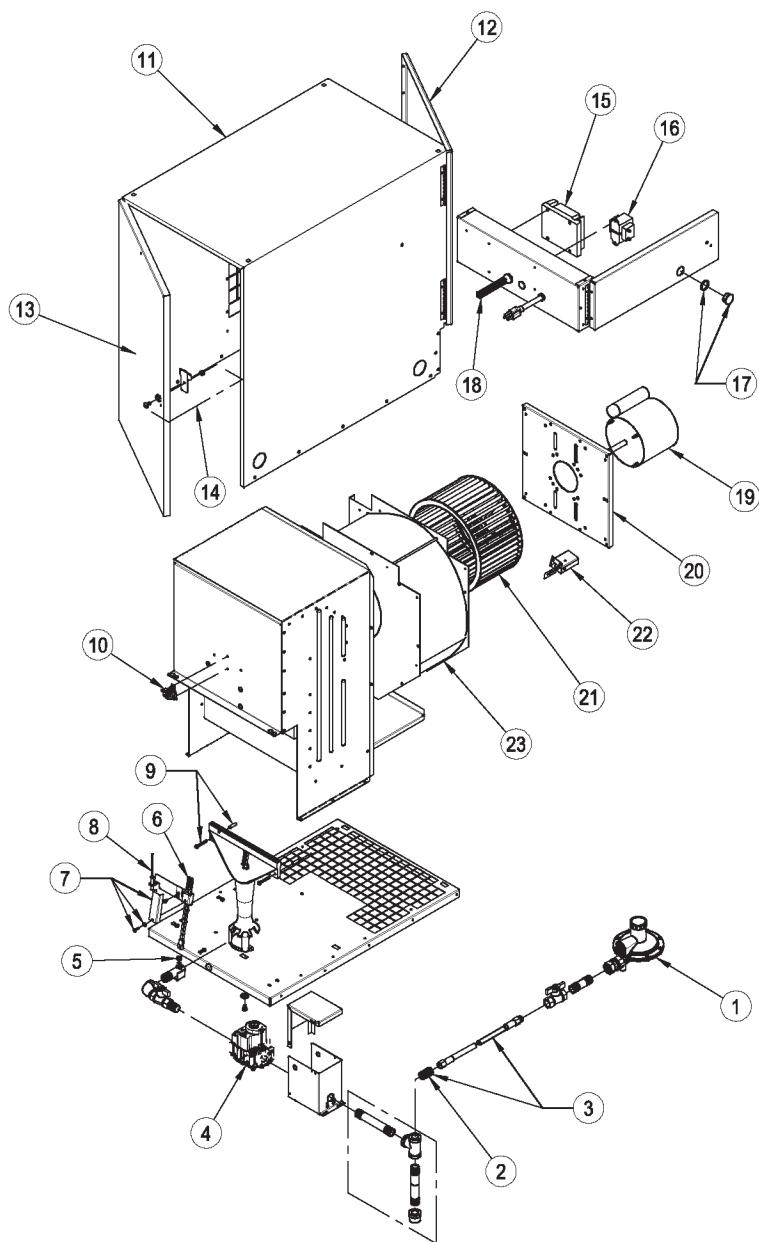
Article	Description	Numero de pièce
1	Régulateur, gaz de pétrole liquéfiés, 2 ^e étape, évent latéral	06665*
	Régulateur, gaz de pétrole liquéfiés, 2 ^e étape, évent sur la sortie	06553*
	Régulateur, gaz naturel (non représenté) (entrée de 5 lb/po ² , sortie de 13,5 po de colonne d'eau)	07087*
2	Tuyau, 3/8 po sur 10 pi. avec adaptateur	21993*

* Ces accessoires doivent être commandés séparément.

Liste des pièces - AW060/100

Article	Description	Numéro de pièce
3	Adaptateur, 1/2 NPT x 5/8-18	06655*
4	Robinet de réglage du gaz, gaz de pétrole liquéfié	522076
	Gaz naturel	522078
5	Orifice, brûleur, gaz de pétrole liquéfiés, 60 000 Btu/h	570225
	Gaz naturel, 60 000 Btu/h	570226
	Gaz de pétrole liquéfiés, 100 000 Btu/h	570281
	Gaz naturel, 100 000 Btu/h	570282
6	Bouclier	572494
7	Allumeur	509201
8	Détecteur de flamme	572412
9	Limiteur de température	503933
10	Quincaillerie de montage du brûleur (deux modèles de chaque vis et entretoises)	570211
11	Boîtier avec portes et loquets, gaz de pétrole liquéfiés, 60 000 Btu/h	570516
	Gaz naturel, 60 000 Btu/h	570517
	Gaz de pétrole liquéfiés, 100 000 Btu/h	570572
	Gaz naturel, 100 000 Btu/h	570571
12	Portes, côté brûleur, gaz de pétrole liquéfiés, 60 000 Btu/h	570039
	Gaz naturel, 60 000 Btu/h	570040
	Gaz de pétrole liquéfiés, 100 000 Btu/h	570119
	Gaz naturel, 100 000 Btu/h	570120
13	Porte, côté moteur	570298
14	Trousse de loquet	570228
15	Commande de l'allumage	509298
16	Transformateur	509615
17	Trousse de fils et faisceau	23709
18	Bouchon de fenêtre avec joint torique	570002
19	Moteur, 1/12 HP, 60 000 Btu/h	520290
	Moteur, 1/8 HP, 100 000 Btu/h	520292
20	Support de moteur, 60 000 Btu/h	570382
	100 000 Btu/h	570383
21	Ventilateur, roue, 60 000 Btu/h	570230
	Ventilateur, roue, 100 000 Btu/h	570304
22	Interrupteur de vérification d'air avec support 60 000 Btu/h	570027
	Interrupteur de vérification d'air avec support 100 000 Btu/h	570493
23	Boîtier de ventilateur, avec interrupteur de vérification d'air et support de moteur 60 000 Btu/h	520989
	Boîtier de ventilateur, avec interrupteur de vérification d'air et support de moteur 100 000 Btu/h	520990

Schémas d'identification des pièces de rechange

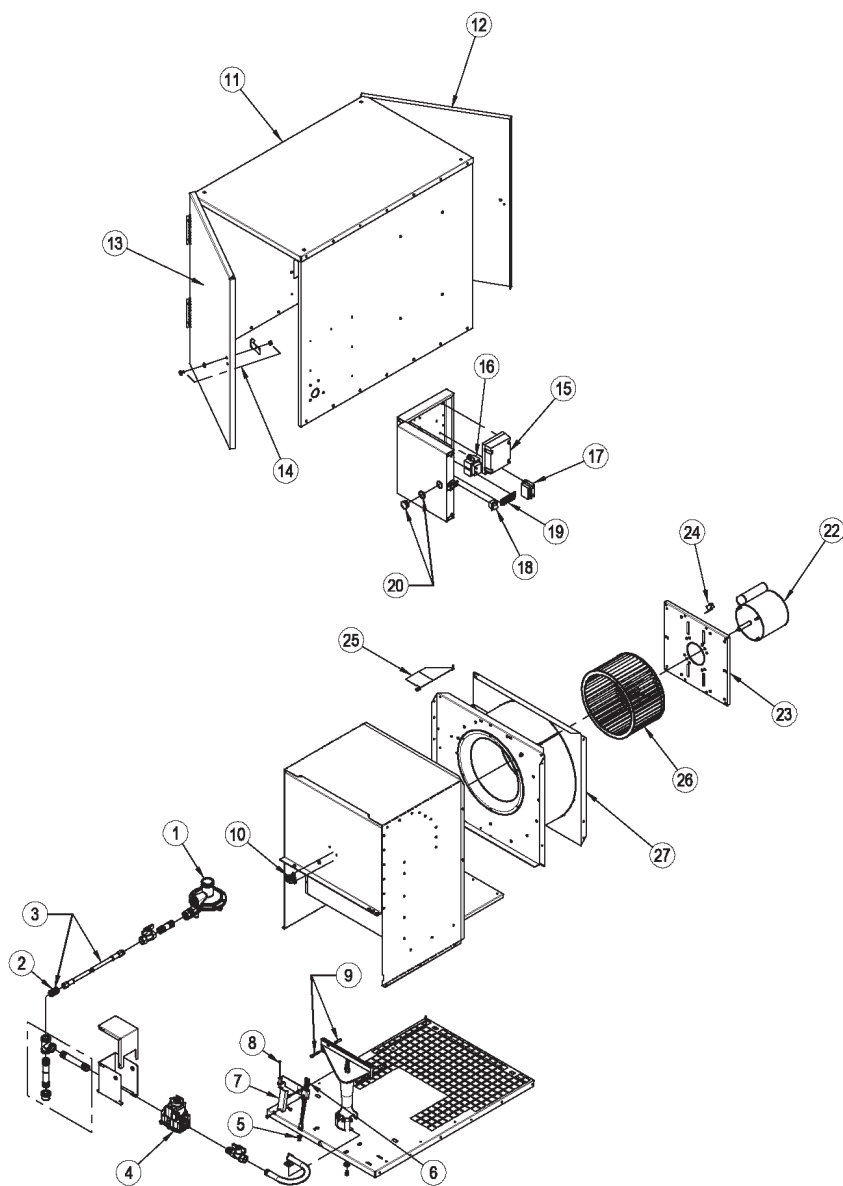


Liste des pièces - AW250

Article	Description	Numéro de pièce
1	Régulateur, gaz de pétrole liquéfiés, 2 ^e étape, évent sur la sortie	06553*
	Régulateur, gaz de pétrole liquéfiés, 2 ^e étape, évent latéral	06665*
	Régulateur, gaz naturel, 2 ^e étape, évent latéral	24414*
2	Adaptateur, tuyau, 1/2 NPT x 1/2 NPS	25873
3	Tuyau, diamètre intérieur de 1/2 po sur 10 pi avec adaptateur	20714
4	Robinet, réglage du gaz : Gaz de pétrole liquéfiés	522076
	Gaz naturel	522078
5	Orifice, brûleur : Gaz de pétrole liquéfiés	570053
	Gaz naturel	570054
6	Allumeur, surface chaude	509201
7	Bouclier d'allumeur	572494
8	Détecteur de flamme	520139
9	Quincaillerie de montage du brûleur (deux modèles de chaque vis et entretoises)	570211
10	Limiteur de température	505566
11	Boîtier avec des portes et verrous, galvanisé, taux variable, gaz de pétrole liquéfié	570310
	Gaz naturel	570311
12	Porte, côté moteur, gaz de pétrole liquéfié	570135
	Gaz naturel	570485
13	Porte, côté brûleur	573475
14	Trousse de loquet	570228
15	Commande de l'allumage	509298
16	Transformateur, 120/24 V	509615
17	Fenêtre avec joint torique	570002
18	Trousse de fils et faisceau	570110
19	Moteur, 1/3 HP, roulement à billes	520169
20	Support de moteur	570251
21	Roue de ventilateur	570481
22	Interrupteur de vérification d'air	24157
23	Boîtier de ventilateur, avec interrupteur de vérification d'air et support de moteur	24167

* Ces accessoires doivent être commandés séparément.

Schémas d'identification des pièces de rechange



Liste des pièces - AW325

Article	Description	Numéro de pièce
1	Régulateur, gaz de pétrole liquéfiés, 2 ^e étape, évent sur la sortie	06553*
	Régulateur, gaz de pétrole liquéfiés, 2 ^e étape, évent latéral	06665*
	Régulateur, gaz naturel	25108*
2	Adaptateur, tuyau, 1/2 NPT x 1/2 NPS	25873*
3	Tuyau, diamètre intérieur de 1/2 po sur 10 pi avec adaptateur	20714*
4	Robinet, réglage du gaz : Gaz de pétrole liquéfiés	22189
	Gaz naturel	22190
5	Orifice, brûleur : Gaz de pétrole liquéfiés	570161
	Gaz naturel	570162
6	Allumeur, surface chaude	509201
7	Bouclier d'allumeur	572494
8	Détecteur de flamme	570006
9	Quincaillerie de montage du brûleur (deux modèles de chaque vis et entretoises)	570211
10	Limiteur de température	505566
11	Boîtier, l'assemblage avec portes et des verrous : Gaz de pétrole liquéfiés	570393
	Gaz naturel	570394
12	Porte de boîtier, côté moteur	570252
13	Porte de boîtier, côté brûleur Gaz de pétrole liquéfiés	570499
	Gaz naturel	570500
14	Trousse de loquet	570228
15	Commande de l'allumage	509298
16	Transformateur, 240/24 V	570389
17	Relais	570221
18	Interrupteur Marche/Arrêt	570520
19	Bornier	570491
20	Bouchon de fenêtre avec joint torique	570002
21	Trousse de câblage complète (tous les câbles de la fournaise) Non illustré	570587
22	Moteur, 1/2 hp. 240 volts	508635
23	Support de moteur	570251
24	Interrupteur de vérification d'air	502680
25	Obturateur (voile)	570212
26	Roue de ventilateur	570440
27	Boîtier de ventilateur, avec interrupteur de vérification d'air et support de moteur	508798

* Ces accessoires doivent être commandés séparément.

Politique de garantie

FOURNAISE

L.B. White Co., Inc. garantit que les éléments constitutifs de sa fournaise sont exempts de défauts de matériaux et de fabrication, lorsqu'ils sont correctement installés, utilisés et entretenus conformément aux directives d'installation et d'entretien, aux guides de sécurité et aux étiquettes apposées sur chaque unité. Si, dans les douze mois à compter de la date d'achat par l'utilisateur final, un composant est jugé défectueux, L.B. White Co., Inc., à sa discrétion, réparera ou remplacera la pièce défectueuse ou la fournaise, au moyen d'une nouvelle pièce ou une fournaise, F.O.B., Onalaska, Wisconsin.

L'enregistrement de votre produit en ligne auprès de L.B. White qualifiera automatiquement un appareil et ses composants à la garantie. Si un produit n'a pas été enregistré auprès de L.B. White, une copie de l'acte de vente sera nécessaire pour établir l'admissibilité à la garantie. Si ni l'un ni l'autre n'est disponible, la période de garantie sera de douze mois à compter de la date d'expédition des locaux de L.B. White.

PIÈCES

L.B. White Co., Inc. garantit que les pièces de rechange achetées à la société et utilisées sur l'équipement L.B. White approprié sont exemptes de défauts à la fois de matériel et de fabrication pendant douze mois à compter de la date d'achat par l'utilisateur final. La garantie est automatique si un composant est jugé défectueux dans les douze mois suivant le code de date indiquée sur la pièce. Si le défaut se produit plus de douze mois plus tard que le code de date, mais dans les douze mois à compter de la date d'achat par l'utilisateur final, une copie d'une facture de vente sera nécessaire pour établir l'admissibilité à la garantie.

La garantie énoncée ci-dessus est la garantie exclusive fournie par L.B. White, et toutes les autres garanties, y compris les garanties implicites de qualité marchande ou d'adéquation à un usage particulier, sont expressément exclues. Dans le cas où une garantie implicite n'est pas expressément accordée en raison de la loi, cette garantie implicite est limitée en durée à la durée de la garantie applicable indiquée ci-dessus. Les solutions mentionnées ci-dessus représentent les seuls et exclusifs recours disponibles aux termes des présentes. L.B. White ne pourra être tenue responsable des dommages indirects ou consécutifs, directement ou indirecte-

ment liés à la vente, la manutention ou l'utilisation de l'équipement, et dans tous les cas, la responsabilité de L.B. White en lien avec l'équipement, y compris pour les réclamations reposant sur la négligence ou la responsabilité stricte, est limitée au prix d'achat.

Certains États et certaines provinces ne permettent pas les délais de prescription quant à la durée d'une garantie implicite, ainsi le délai de prescription ci-dessus peut ne pas vous concerner.

Certains États et certaines provinces ne permettent pas l'exclusion ou la limitation des dommages indirects ou consécutifs, de sorte que la limitation ou l'exclusion ci-dessus peut ne pas vous concerner. Cette garantie vous donne des droits juridiques précis, et vous pouvez également avoir d'autres droits qui varient d'une province à l'autre.

Pour enregistrer votre produit et vous assurer d'obtenir la garantie intégrale, rendez-vous à l'adresse http://www.lbwhite.com/customer_care_center/product-registration/. Veuillez avoir les numéros de série et les modèles sous la main pour les produits que vous enregistrez.

Service courant, maintenance et entretien

Communiquez avec votre distributeur L.B. White local pour obtenir des pièces de rechange et assurer le service courant. Vous pouvez aussi appeler L.B. White Co., Inc. au 1 800 345-7200, pour obtenir de l'assistance ou par courriel à l'adresse customerservice@lbwhite.com.

Assurez-vous d'avoir votre numéro de modèle de la fournaise ainsi que le numéro de configuration sous la main lors de l'appel.



FOURNISSEUR MONDIAL - SOLUTIONS INNOVANTES DE CHAUFFAGE

411 Mason Street, Onalaska, WI 54650

1 800 345-7200 • 608 783-5691

608 783-6115 (télécopieur)

www.lbwhite.com